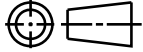
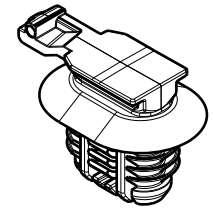
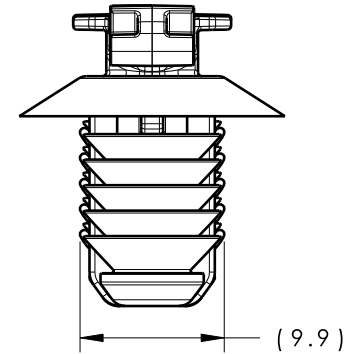
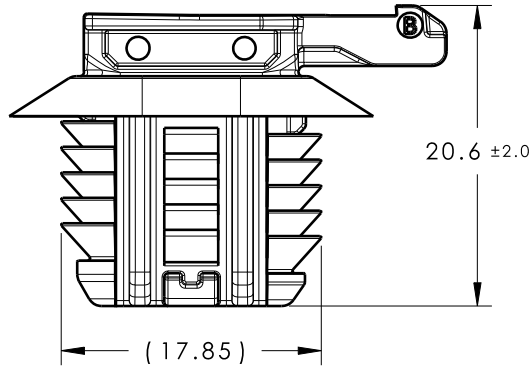


CATIA V5



| Revision Level | | | Revision Record | Changed | Date | Approved | Date |
|----------------|----------------|------|-----------------|---------|---------|----------|---------|
| Drawing | State | Part | | | | | |
| 02.1 | Design Release | | SEE ECN# 015289 | JMC | 7/16/19 | CJR | 7/16/19 |

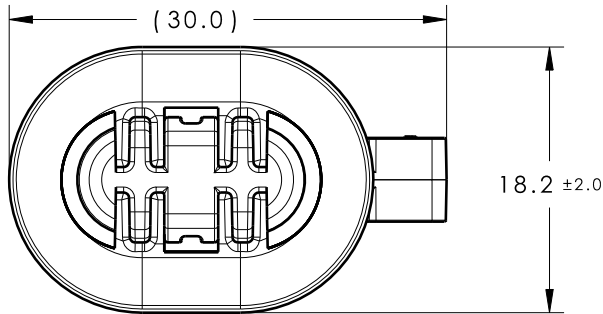


ISOMETRIC VIEW
SCALE 1:1

REFERENCE:

PERFORMANCE REQUIREMENTS AT DRY AS MOLDED:

1. FIR TREE PUSH IN FORCE: 67 NEWTONS (15 lbs) MAX^{02.1} IN AN OVAL HOLE THAT IS 9.0mm X 17.0mm AND A SHEET METAL THICKNESS OF 1.8mm .
2. FIR TREE PULL OUT FORCE: 155 NEWTONS (35 lbs) MIN IN AN OVAL HOLE THAT IS 9.0mm X 17.0mm AND A SHEET METAL THICKNESS OF 1.8mm
3. SHEET METAL THICKNESS RANGE: 0.60mm - 6.0mm
4. APPLICABLE OVAL HOLE SIZES:
9.0 X 17.0 +/-0.4mm OVAL HOLE
5. DESIGNED TO MEET PUSH ON/PULL OFF FORCES OF SAE/USCAR-2
6. FITS INTO USCAR CLIP SLOT SPECIFICATION EWCAP-005-11 (NOT A TEST SPEC.)
7. FLASH IS ACCEPTABLE IN THE CONNECTOR TOP IF PART STILL MEETS USCAR REQUIRMENTS AND 0.5MM FLASH ON FIR TREE.



| GLOBAL PART DESCRIPTION | MATERIAL | COLOR |
|-------------------------|-----------|--------|
| CC11B-PPS-ML | PPSFX72T6 | SILVER |

| | | | | | | | | | | |
|-----------------------|-------------------------------------|--|---|-----|----------|------------------------|-------------------------------|--------|----------------|---------|
| Material SEE TABLE | Units millimeters | The copyright of this drawing is reserved by HellermannTyton. It is issued on condition that it is not reproduced, copied or disclosed to a third party, either wholly or in part, without the consent of HellermannTyton. | Drawn | CJR | 01/03/19 | Article/Type-No | CC11B | Scale | 2:1 | |
| | Tolerance defined on each dimension | | Approved | EJH | 01/03/19 | Title | 9X17 OVAL HOLE CONNECTOR CLIP | | Project Number | 19-0221 |
| | | | <p>North America Email: corp@htamericas.com Web: www.hellermann.tyton.com</p> | | | Drawing-No | PRODUCTION : Phase | Format | AH | |
| | | | | | | 19-0221-001-CSU | | Sheet | 1/1 | |