

4

3

2

1

THIS DRAWING IS UNPUBLISHED.

RELEASED FOR PUBLICATION

20

REVISIONS

© COPYRIGHT 20 BY -

ALL RIGHTS RESERVED.

LTR	DESCRIPTION	DATE	DWN	APVD
A	RELEASE	03.MAR.'09	GC	JK
B	REVISED(ECR-14-008909)	21.OCT.'14	SJ	HG

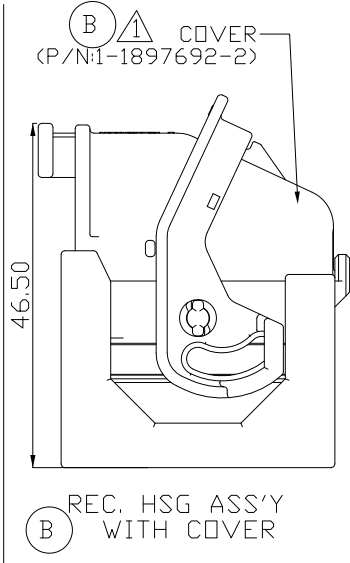
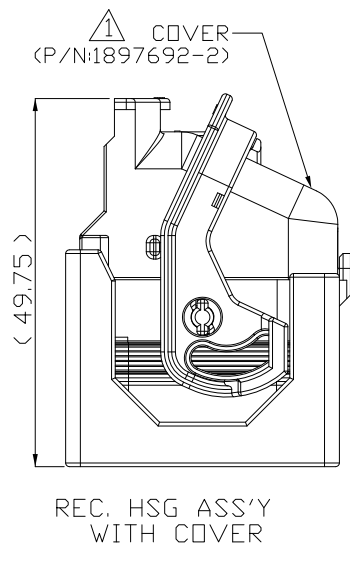
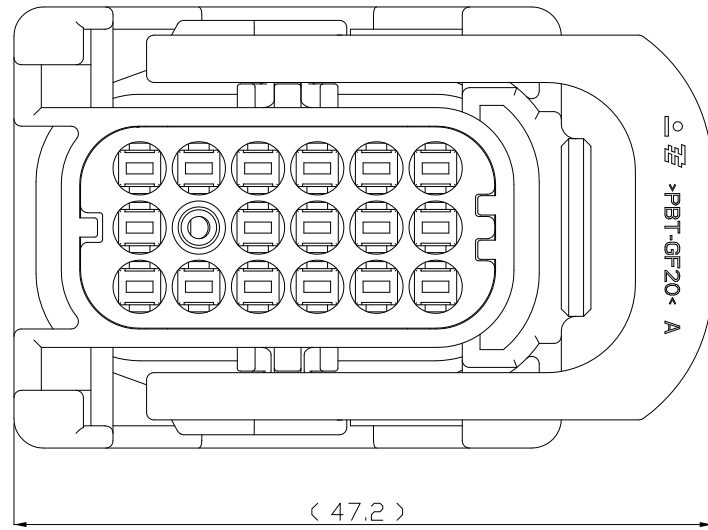
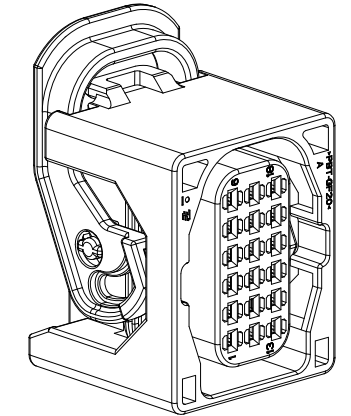


TABLE 1. APPLICABLE REC. CONTACT.

REC.	PART NO.	WIRE RANGE(mm ³)	INSULATION DIA.(mm) (FLR)
MCP 1.5	1241378	0.2-0.35	1.1-1.4
	1241380	0.5-1.0	1.4-2.1
	1418884	1.5	2.16-2.4



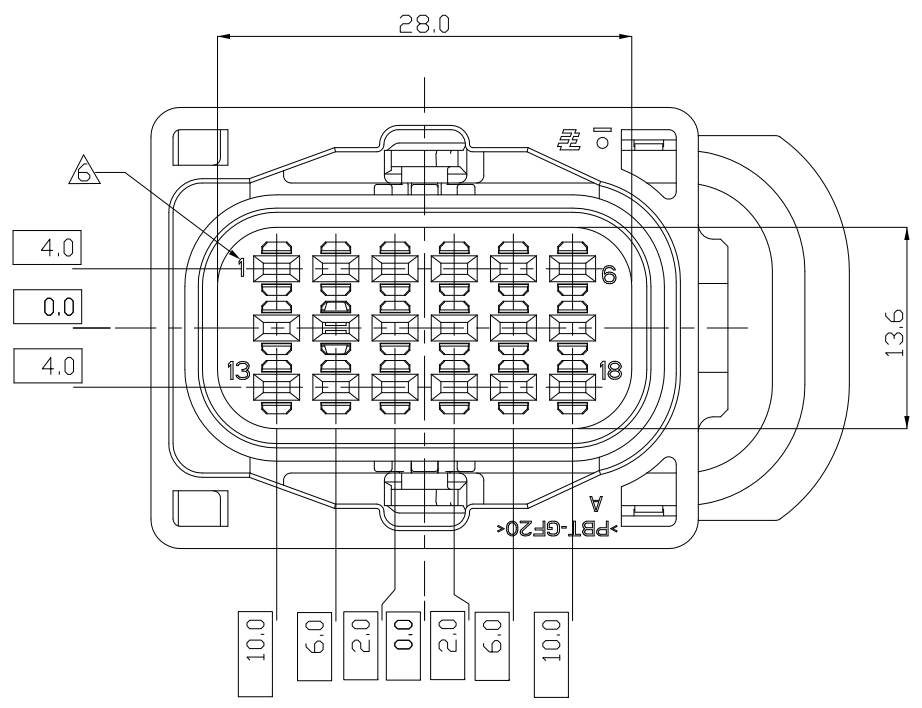
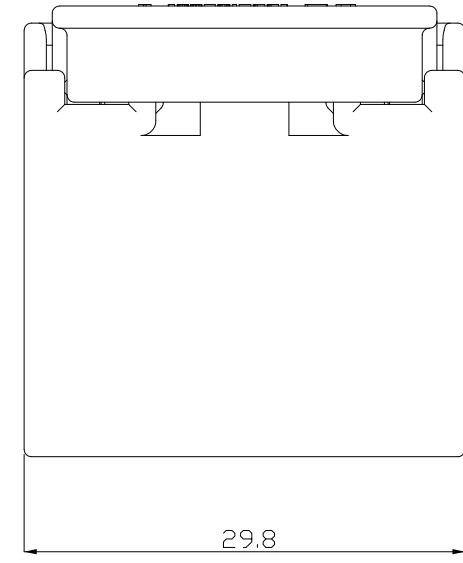
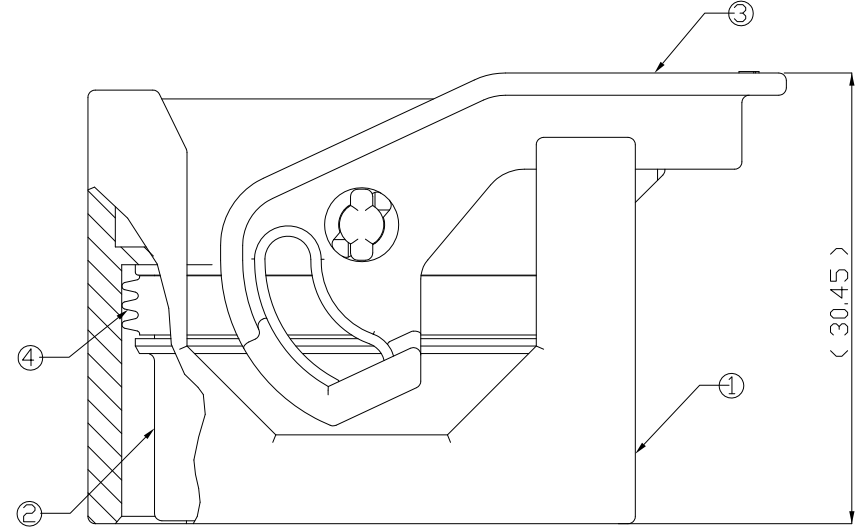
ISO VIEW

TABLE 2. APPLICABLE SINGLE WIRE SEALS

WIRE RANGE(mm ³)	INSULATION DIA. (mm)	COLOR	PART NO.
0.35-0.50	1.2-1.6	RED	964971-1
0.50-0.75	1.4-1.9	GREY	963530-1
1.00-1.50	1.9-2.4	YELLOW	964972-1
	DEAD END PLUG	WHITE	963531-1

NOTE ;

- 1. THE COVER OF REC. HSG ASS'Y MUST BE ORDERED SEPARATELY.
- 2. APPLICABLE REC. CONTACT ; SEE TABLE 1.
- 3. APPLICABLE SINGLE WIRE SEAL ; SEE TABLE 2.
- 4. THE MATING TAB HSG ASS'Y P/N : 1897686-2
- 5. GENERAL TOLERANCE : ±0.3, ±3.0 °
- 6. CURCUIT NO.



NO.	PART NO.	DESCRIPTION	MATERIAL	COLOR	Q'TY
4	2005886-1	INNER SEAL	SILICON	ORANGE	1
3	1897691-2	LEVER	PBT-GF20	BLACK	1
2	1897690-2	CAVITY PLUG HSG	PA6-GB20-GF10	BLACK	1
1	1897689-2	REC. HSG	PBT-GF20	BLACK	1

THIS DRAWING IS A CONTROLLED DOCUMENT.

DIMENSIONS:	TOLERANCES UNLESS OTHERWISE SPECIFIED
mm	
	0 PLC ±
	1 PLC ±0.5
	2 PLC ±0.13
	3 PLC ±0.013
	4 PLC ±0.0001
	ANGLES ±
MATERIAL	FINISH
-	-
-	-

DWN - SJ CHOI
 CHK - KT LIM
 APVD - HG CHO
 PRODUCT SPEC -
 APPLICATION SPEC -
 WEIGHT -

TE TE Connectivity

MCP1.5 SEALED 18P REC. HSG ASS'Y

SIZE: A3 CAGE CODE: 00779 DRAWING NO: C-1897688 RESTRICTED TO: -

CUSTOMER DRAWING SCALE: 1:1 SHEET: 1 OF 1 REV: B