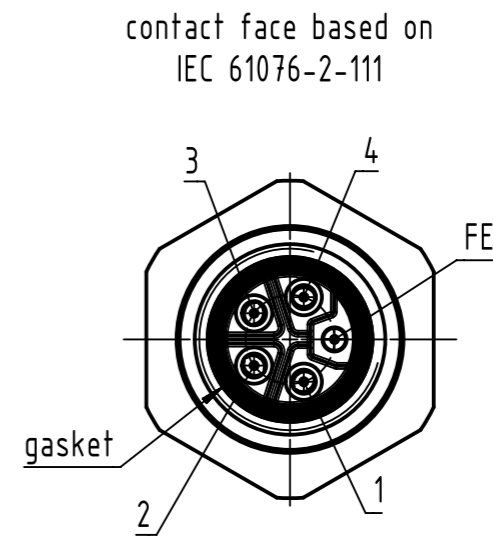
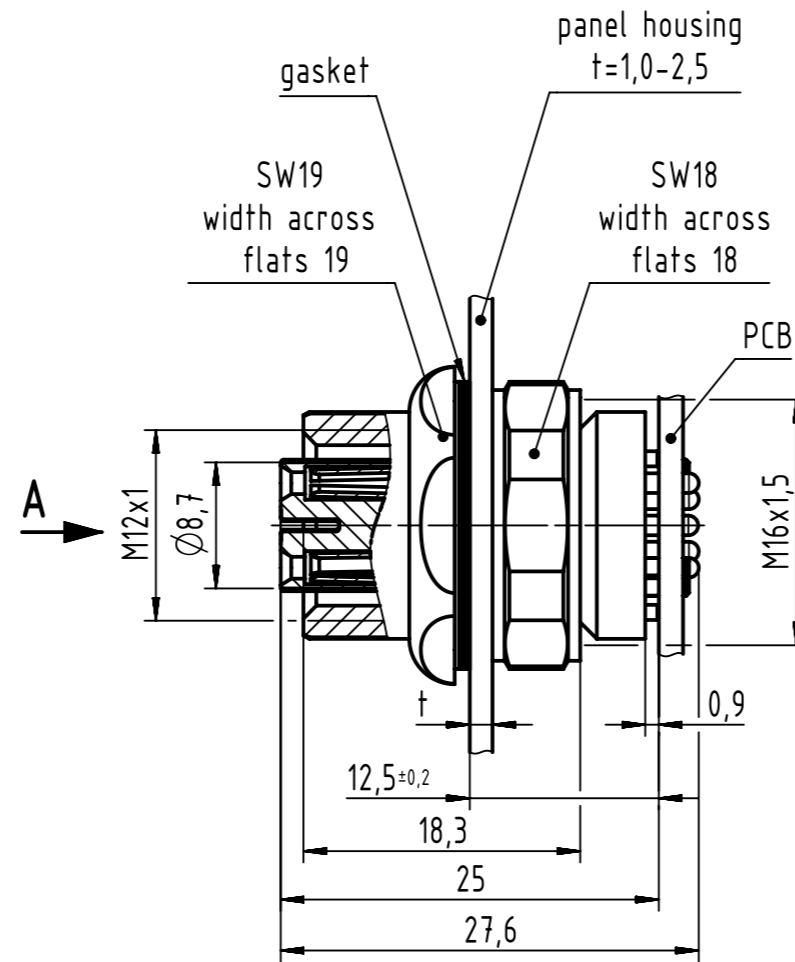
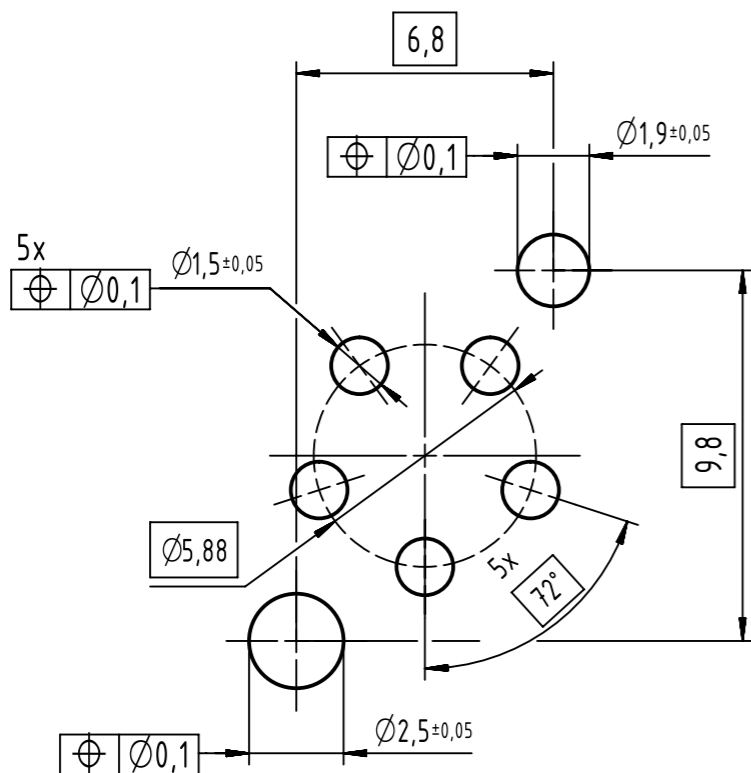
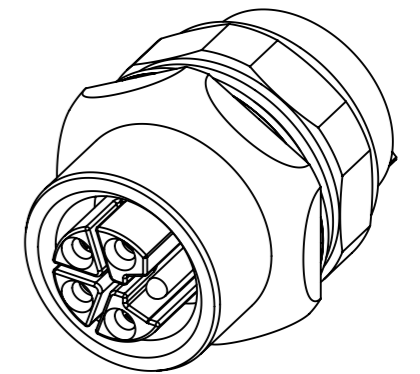
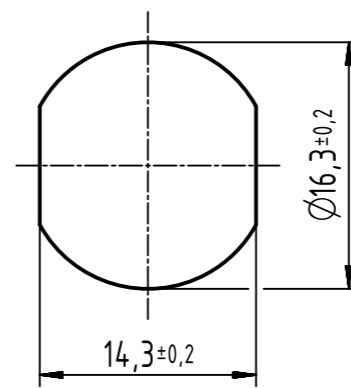


A (5:1)
recommended PCB-layout



(2:1)
panel cut out



	All rights reserved Department EC PD - RO HARTING Electronics GmbH D-32339 Espelkamp	All Dimensions in mm Original Size DIN A3		Scale 2:1	Free size tol.	Ref. Sub.	
		Created by BALSAN	Inspected by PRIESTER	Standardisation HOFFMANN	Date 2018-03-08	State Final Release	Doc-Key / ECM-Nr. 100581426/UGD/000/D 500000132179
		Title M12 power receptacle female L-coded front				Rev. D	Page 1/1
		Type TB	Number 21033962531				