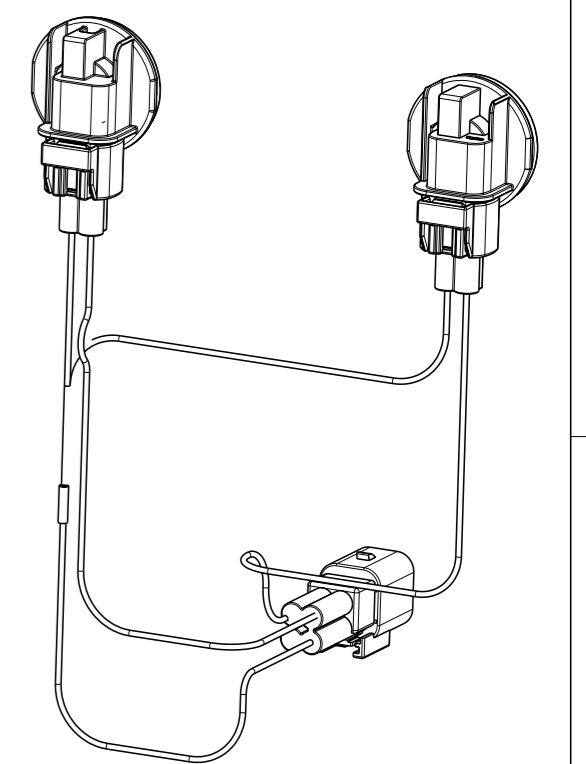
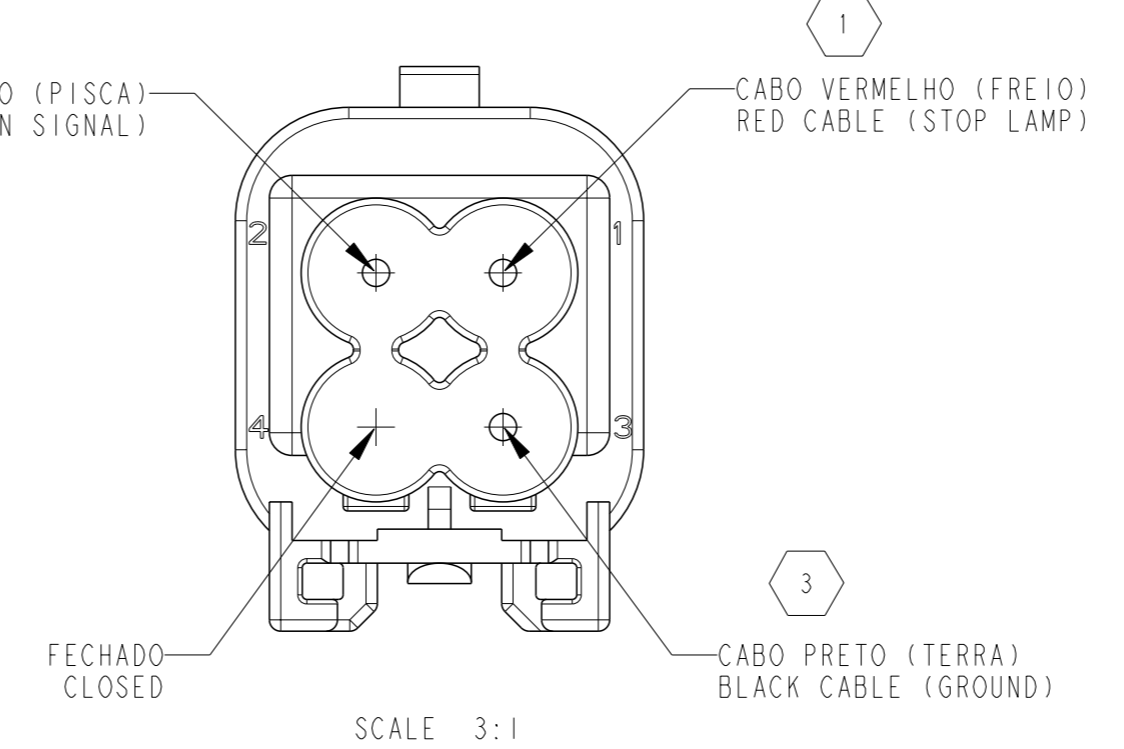
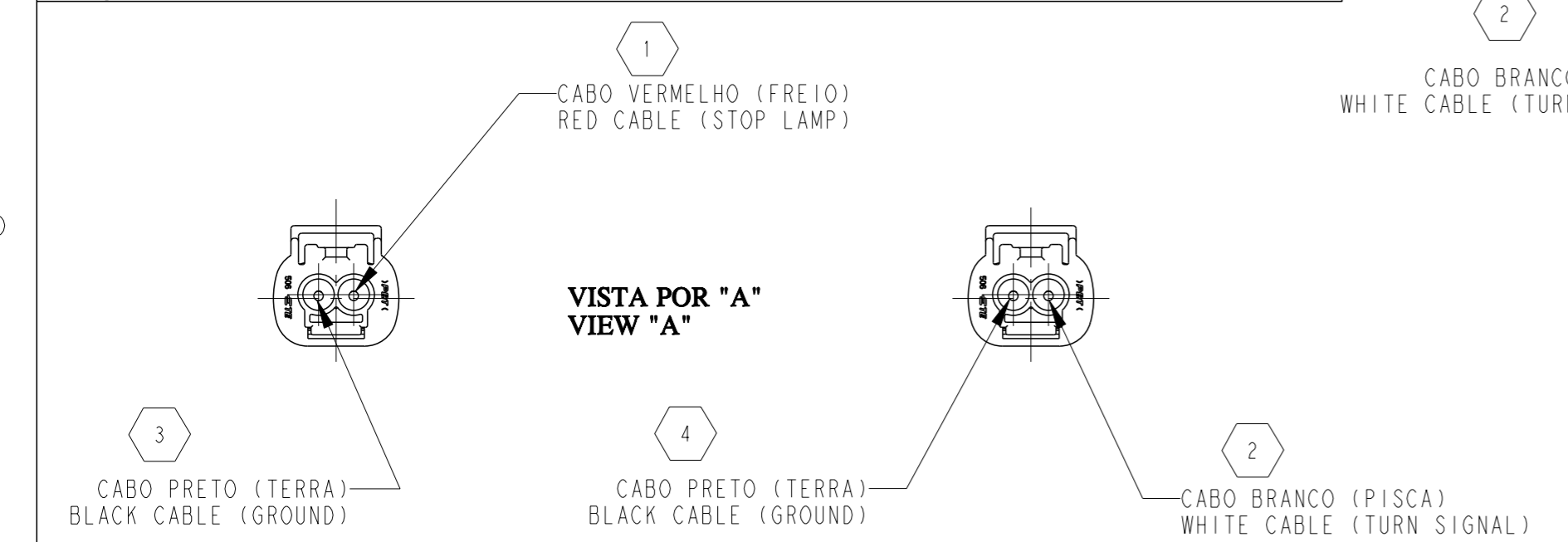
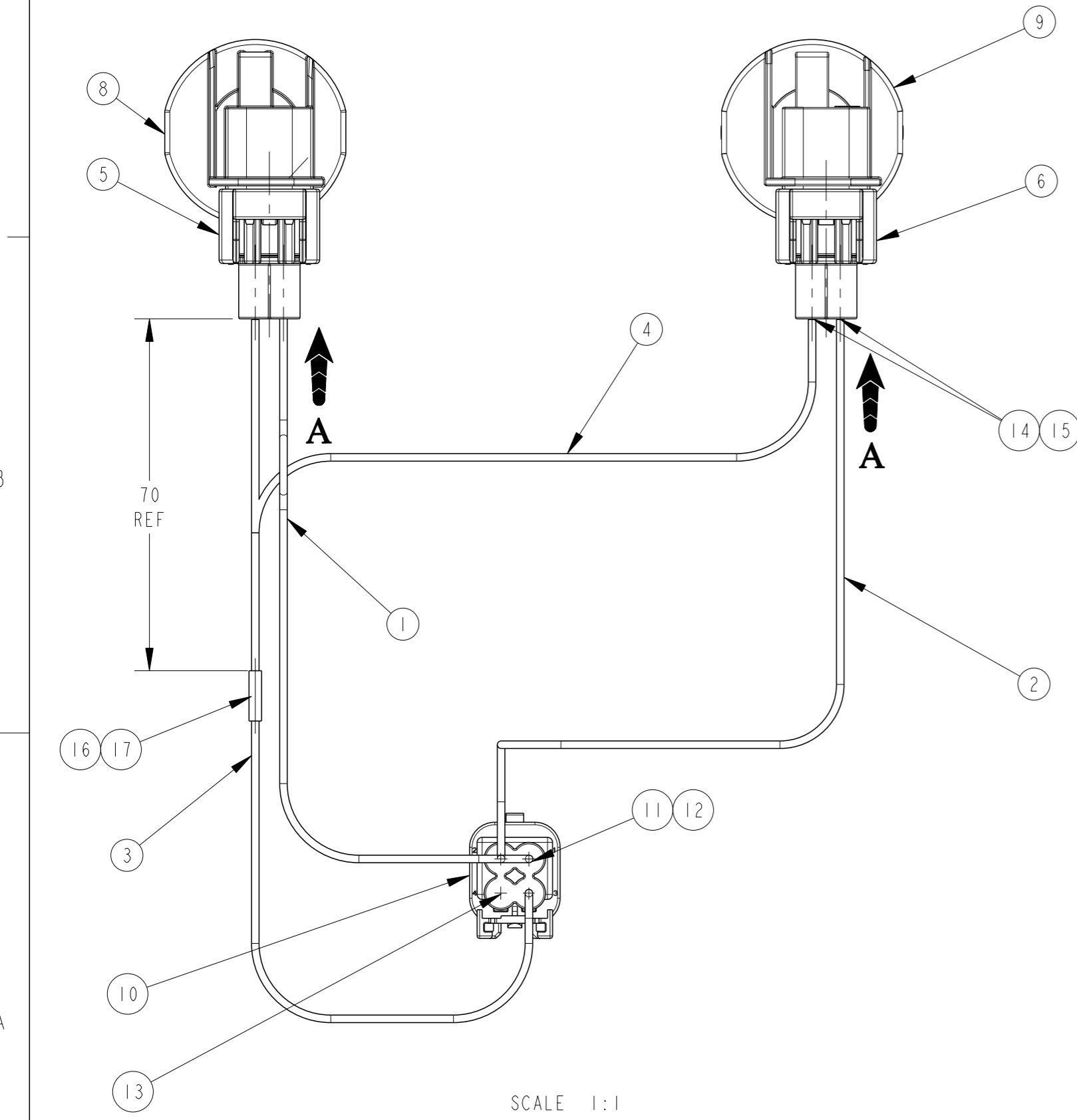


LOC	DIST	REVISIONS			
P	LTR	DESCRIPTION	DATE	DWN	APVD
AP	-				
A		CHANGE STATUS ECO-12-001364	23JAN2012	NCL	WAO
B		REVISED DESIGN ECO-13-002969	20FEB2013	NCL	WAO



⚠ - CABO FLY-B CONF. DIN 72551 PARTE 6 TIPO B
 TEMPERATURA: MIN. -40° C / MAX. 105° C
 CABLE FLY-B ACC. TO DIN 72551 PART 6 TYPE B
 TEMPERATURE: MIN. -40° C / MAX. 105° C

CIRCUIT NUMBER	CABLES COLOR	CROSS SECTION (mm ²)	LENGTH (mm)	FUNCTION
4	PRETO / BLACK	1,0	130	NEUTRO / GROUND
3	PRETO / BLACK	1,0	245	NEUTRO / GROUND
2	BRANCO / WHITE	1,0	160	PISCA / TURN SIGNAL
1	VERMELHO / RED	1,0	90	LUZ DE FREIO / STOP LAMP



ITEM	DESCRIPTION	NOTES
17	HEAT-SHRINKABLE RBK-VWS-125-NR1-0	— // —
16	SPLICE	— // —
15	.090 11 SEALED RECEPTACLE	— // —
14	SINGLE WIRE SEAL	— // —
13	CAVITY PLUG	— // —
12	2.8 mm MCP-E TAB CONTACT	— // —
11	SINGLE WIRE SEAL	— // —
10	MCP-E SEALED 4P CAP ASSY	— // —
9	BULB HOLDER 2P ASSY RIGHT ANGLE TYPE FOR AMBER BULB	— // —
8	BULB HOLDER 2P ASS'Y RIGHT ANGLE FOR CLEAR BULB	— // —
6	.090 2P SEALED PLUG ASS'Y NATURAL	— // —
5	.090 2P SEALED PLUG ASS'Y GRAY	— // —
4	BLACK CABLE	⚠
3	BLACK CABLE	
2	WHITE CABLE	
1	RED CABLE	

THIS DRAWING IS A CONTROLLED DOCUMENT.

DWN: M. ASARTORI 13MAY2011
 CHK: J. R. GOLDSCHMIDT 13MAY2011
 APVD: W. OLIVEIRA 13MAY2011

NAME: **STE** TE Connectivity

PRODUCT SPEC: LANTERN HARNESS BODY SIDE

APPLICATION SPEC: -

WEIGHT: -

SIZE: A2 CAGE CODE: 00779 DRAWING NO: C-2133301 RESTRICTED TO: -

SCALE: 1:1 SHEET: 1 OF: 1 REV: B

