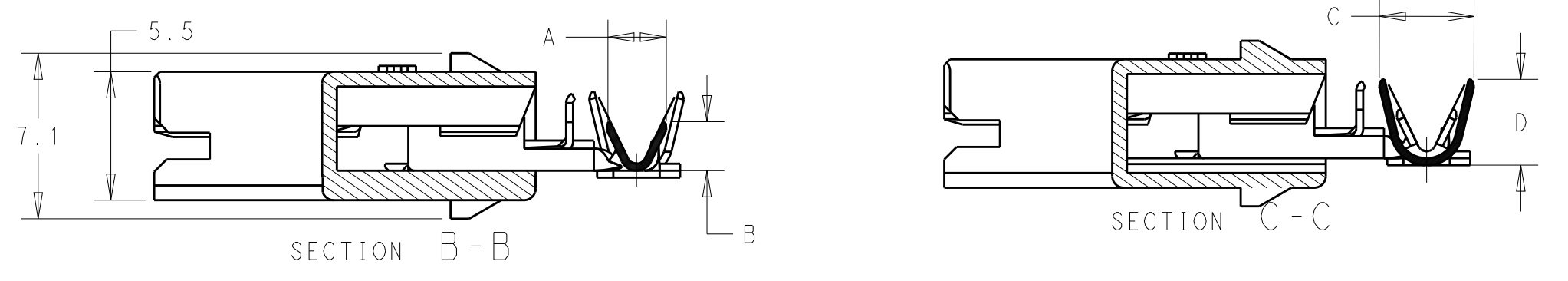
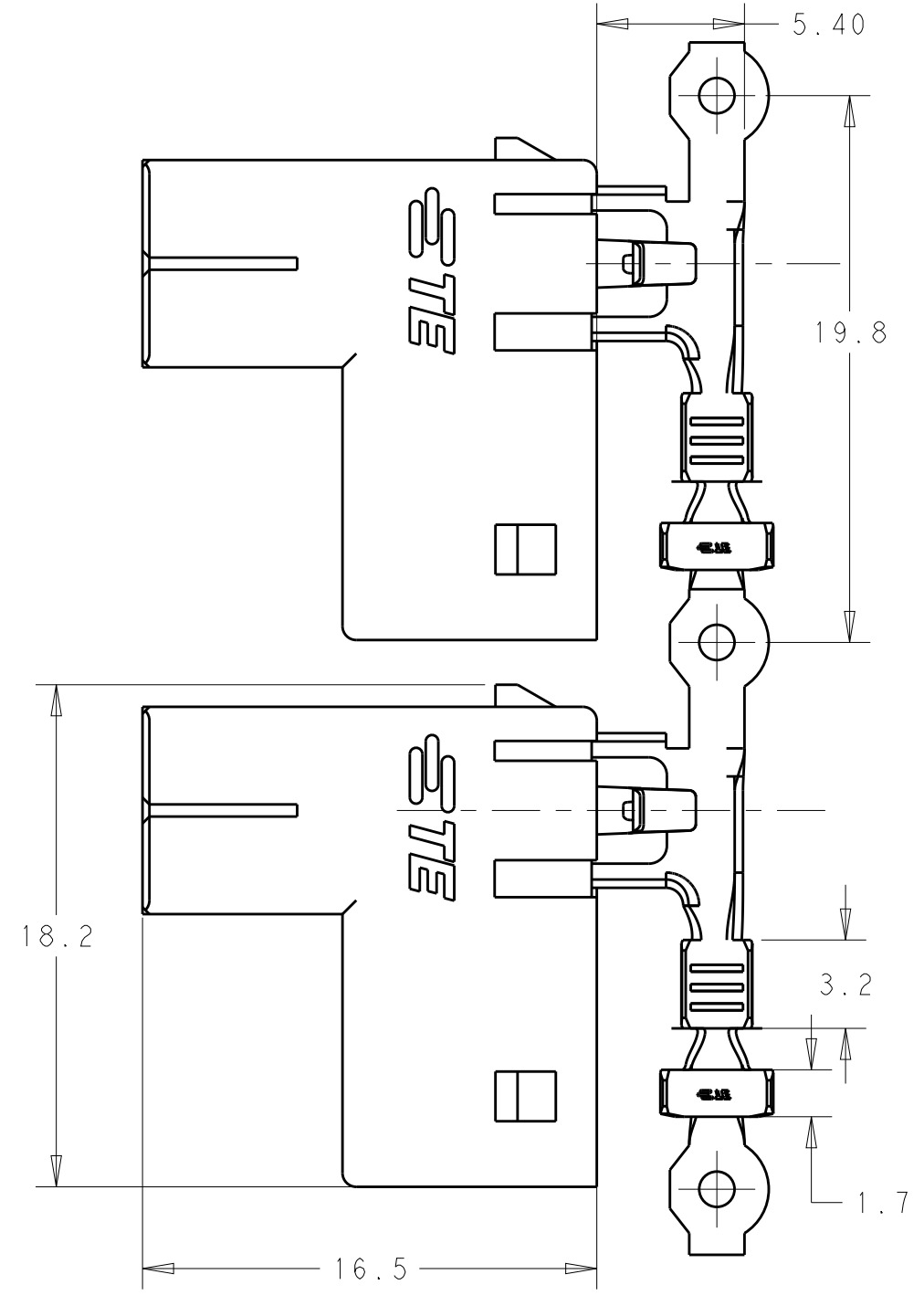
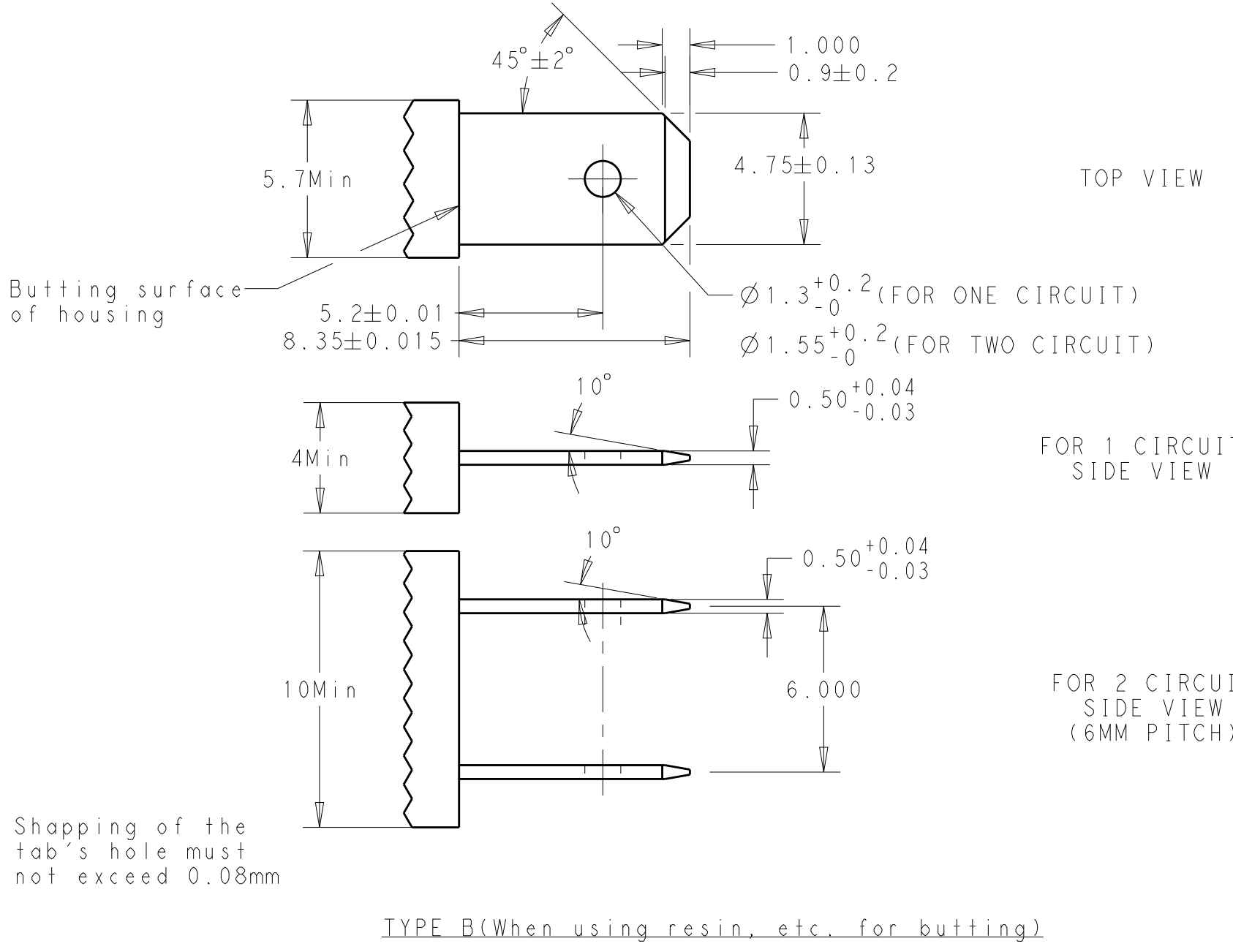
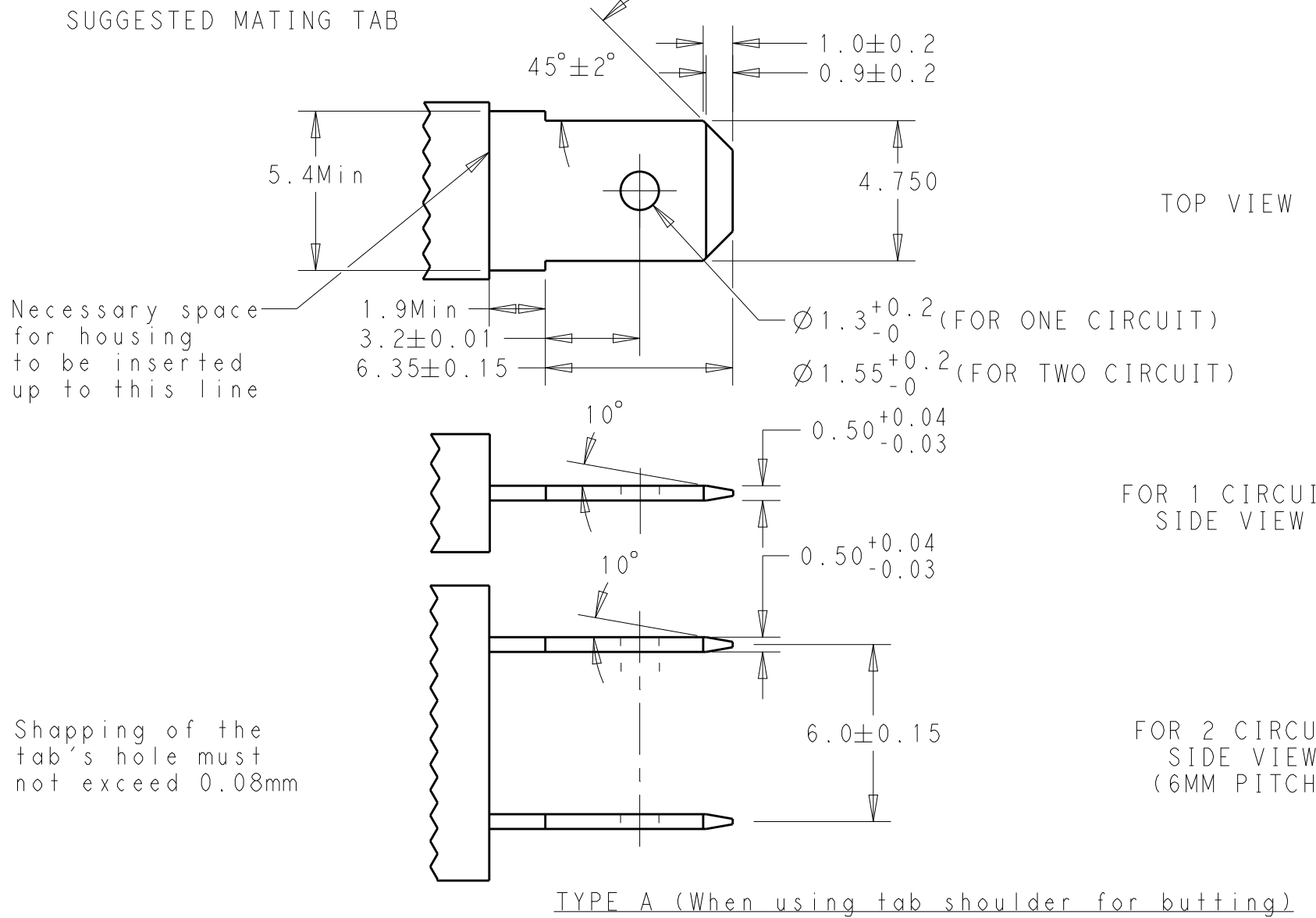


THIS DRAWING IS UNPUBLISHED. RELEASED FOR PUBLICATION 20
 © COPYRIGHT 20 BY - ALL RIGHTS RESERVED.

REVISIONS					
P	LTR	DESCRIPTION	DATE	DWN	APVD
A7		ECR-20-010317	22JUL20	DT	EW



NOTE:

1. HOUSING MATERIAL, NYLON 6/66, GLASS-FIBRE, UL94V-0.
2. GWT 750°C VERSION ACCORDING TO IEC 60335-1.
3. CONTACT MATERIAL, TIN PLATED BRASS.
4. NEW PN WITH DIFFERENT PACKAGING QTY AND SMALLER REELING SIZE (24in).

4.5REF.	4.6	3.2REF.	3.0	2.29-3.30	20-16	3-2299287-2
3.7REF.	4.0	2.1REF.	2.3	1.52-2.79	24-20	3-2299287-1
4.5REF.	4.6	3.2REF.	3.0	2.29-3.30	20-16	2299287-2
3.7REF.	4.0	2.1REF.	2.3	1.52-2.79	24-20	2299287-1
DIM D	DIM C	DIM B	DIM A	INSULATION(MM)	WIRE SIZE(AWG)	P/N

THIS DRAWING IS A CONTROLLED DOCUMENT.

DIMENSIONS:	TOLERANCES UNLESS OTHERWISE SPECIFIED:	DWN	08FEB2017	STE TE Connectivity
mm	0 PLC ±	CHK	LEI PAN 08FEB2017	
	1 PLC ±0.3	APVD	TIM DING 08FEB2017	
	2 PLC ±0.25	APVD	TIM DING 08FEB2017	
	3 PLC ±	PRODUCT SPEC	108-106262	NAME
	4 PLC ±	APPLICATION SPEC	114-106262	POD-LOK 187 FLAG ASSY.
MATERIAL	FINISH	WEIGHT	-	SIZE
-	-	-	-	A2
CUSTOMER DRAWING			SCALE	DRAWING NO
			4:1	C-2299287
			SHEET	RESTRICTED TO
			1 OF 1	-
			REV	A7