

4

3

2

1

THIS DRAWING IS UNPUBLISHED.

RELEASED FOR PUBLICATION

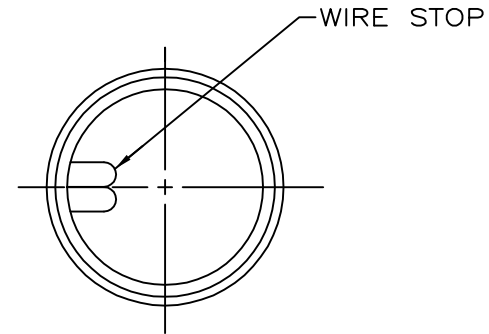
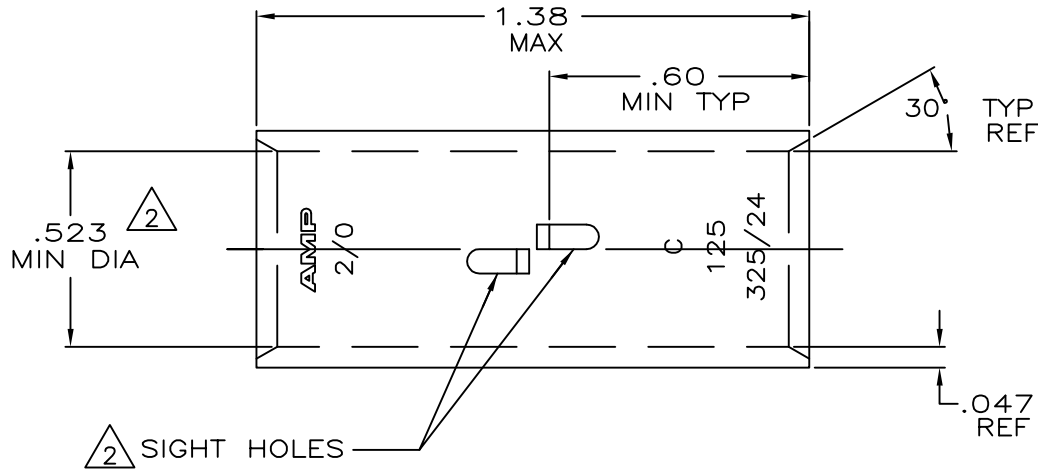
ALL RIGHTS RESERVED.

© COPYRIGHT - By -

LOC G DIST 86

REVISIONS

P	LTR	DESCRIPTION	DATE	DWN	APVD
	N	ECR-13-000998	09FEB2013	PK	HS



1 TIN PL .000150 MIN THK TIN PL .000150 MIN THK

2 .045 MAX BURR ALLOWED INSIDE THE WIRE BARREL ID IN AREA OF SIGHT HOLE.

CLEANED	119,500-150,500 CM	COPPER ASTM-B-75 ANNEALED	1-324459-0
FINISH	WIRE RANGE	MATERIAL	PART No

THIS DRAWING IS A CONTROLLED DOCUMENT.		DWN DK SCHRUM 4/24/89												
DIMENSIONS: INCHES		CHK MS FEHER 4/24/89												
TOLERANCES UNLESS OTHERWISE SPECIFIED:		APVD WJ VOCKROTH 11/8/89												
<table border="1"> <tr><td>0 PLC</td><td>± -</td></tr> <tr><td>1 PLC</td><td>± -</td></tr> <tr><td>2 PLC</td><td>± -</td></tr> <tr><td>3 PLC</td><td>± -</td></tr> <tr><td>4 PLC</td><td>± -</td></tr> <tr><td>ANGLES</td><td>± -</td></tr> </table>		0 PLC			± -	1 PLC	± -	2 PLC	± -	3 PLC	± -	4 PLC	± -	ANGLES
0 PLC	± -													
1 PLC	± -													
2 PLC	± -													
3 PLC	± -													
4 PLC	± -													
ANGLES	± -													
MATERIAL SEE TABLE	FINISH SEE TABLE	PRODUCT SPEC	SPLICE, BUTT, AMPPOWER WIRE SIZE: 2/0 AWG											
		APPLICATION SPEC	SIZE A3	CAGE CODE 00779	DRAWING NO C=324459									
		WEIGHT .037 LB.	RESTRICTED TO											
		CUSTOMER DRAWING	SCALE 4:1	SHEET 1 OF 1	REV N									