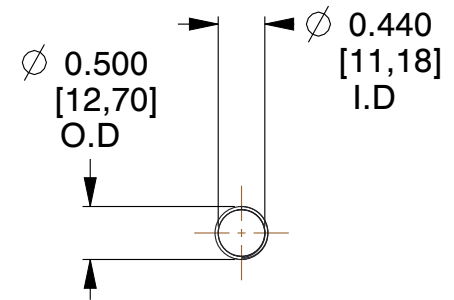
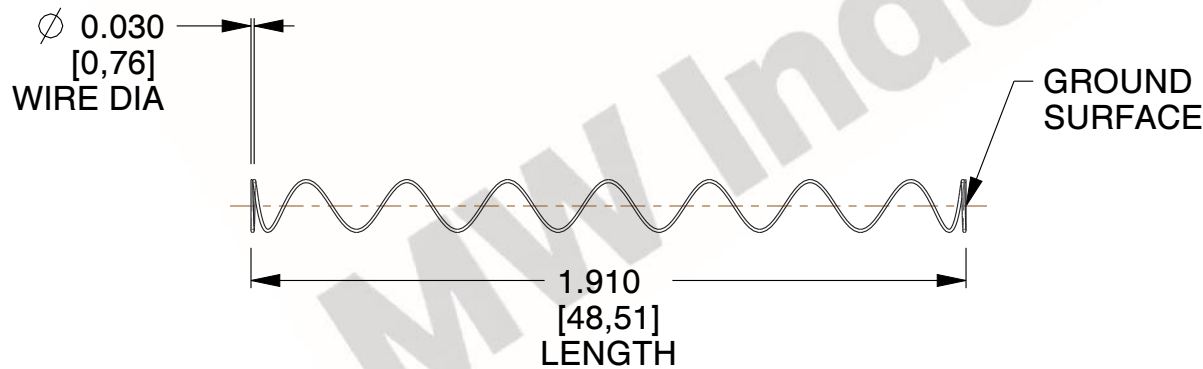


NOTES:

1. Material : Spring Steel
2. Finish : Glod Irridite
3. Ends : Closed and Ground
4. Total Coils : 10.000
5. Sugg. Max. Deflection : 4.300 (in)
6. Sugg. Max. Load : 2.300 (lbs)
7. All Drawing Dimensions are in Inches [mm]



| COMPONENT | SPRINGS |
|---|-----------|
| 11772 COMPRESSION SPRINGS | UNIT |
| | INCH [mm] |
| | SHEET |
| | 1 of 1 |