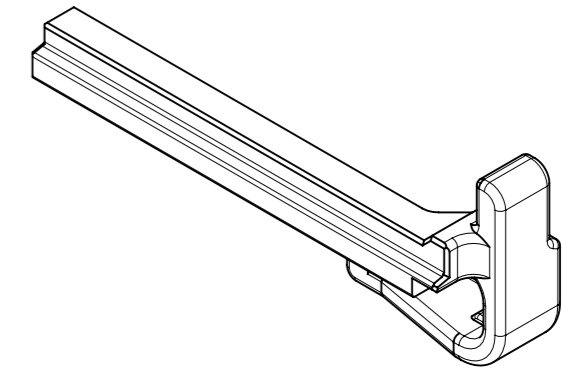
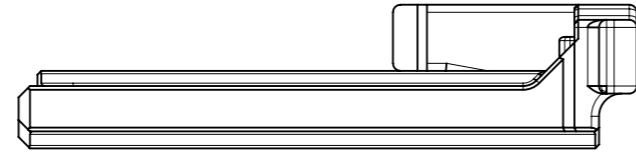
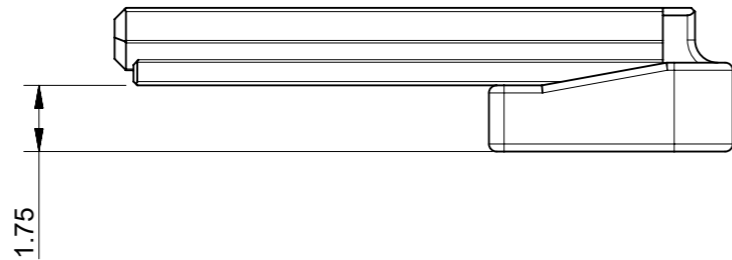
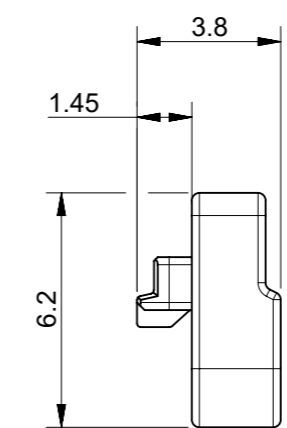
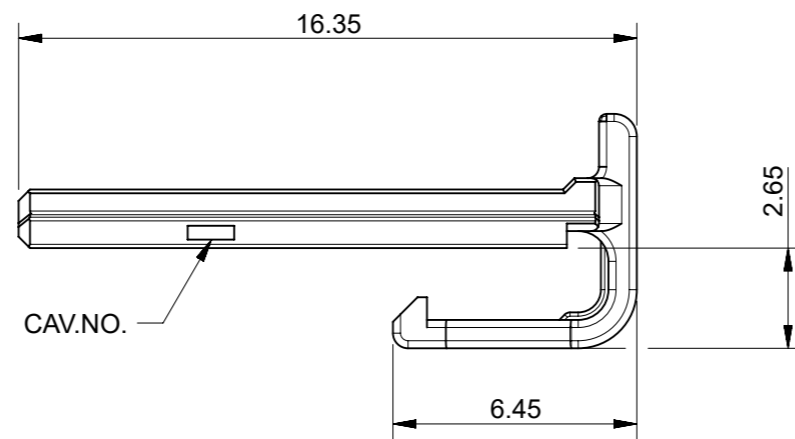
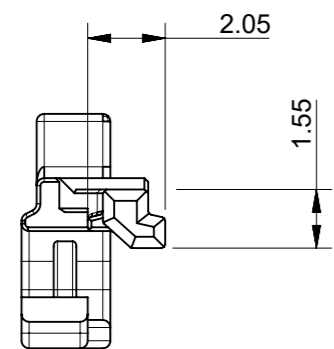


| GENERAL TOLERANCE | | | | | | | | | | USED ON |
|-------------------|--------|--------|--------|---------|---------|---------|----------|-------|--------|---------|
| 10 MAX | 30 MAX | 50 MAX | 70 MAX | 100 MAX | 120 MAX | 250 MAX | 250 OVER | ANGLE | ECCENT | |
| ±0.15 | ±0.20 | ±0.30 | ±0.40 | ±0.50 | ±0.75 | ±0.90 | ±1.4 | ±0.5° | 0.1 | |



ISO VIEW



| MATERIAL NUMBER | | |
|-----------------|--------------|-------|
| ORDER NO. | MATERIAL NO. | COLOR |
| 560125-0700 | 5601250700 | GRAY |

- NOTES:
1. MATERIALS : POLYESTER (PBT)-GF17, UL94 V-0
 2. APPLICABLE HOUSING : 560123 SERIES
 3. GENERAL TOLERANCE : SEE TABLE
 4. EVL AND RoHS COMPLIANT
 5. PRODUCT SPECIFICATION : PS-560123-00*
 6. PACKING SPECIFICATION : PK-560125-001

| | | | | | |
|--------------------|-----------------------------------------------------------------------------------------------------------------------------------------------|------------------------------------------------------|----------------------------------------------------------|----------------------------------------------------------------|-------------------------------------------------------------------------------------------------------------------------|
| FUNCTIONAL SYMBOLS | THIS DRAWING CONTAINS INFORMATION THAT IS PROPRIETARY TO MOLEX ELECTRONIC TECHNOLOGIES, LLC AND SHOULD NOT BE USED WITHOUT WRITTEN PERMISSION | | CURRENT REV DESC: DRAWING REMASTERED | | |
| | $\nabla_A = 0$ $\nabla_B = 0$ $\nabla_C = 0$ | DIMENSION UNITS: mm SCALE: 5:1 | GENERAL TOLERANCES (UNLESS SPECIFIED) ANGULAR TOL ± ° | | |
| DIVISIONAL SYMBOLS | 4 PLACES ± | 2020/07/17 | 2020/07/27 | | PRODUCT CUSTOMER DRAWING DOCUMENT NUMBER: 5601250700 DOC TYPE: PSD DOC PART: 000 REVISION: A2 |
| | 3 PLACES ± | 2020/07/27 | 2020/07/27 | | |
| | 2 PLACES ± | INITIAL REVISION: | | MATERIAL NUMBER: 5601250700 CUSTOMER: GENERAL MARKET | |
| | 1 PLACE ± | DRWN: SAKIM APPR: YKJUNG | | SHEET NUMBER: 1 OF 1 | |
| | 0 PLACES ± | DRAFT WHERE APPLICABLE MUST REMAIN WITHIN DIMENSIONS | | THIRD ANGLE PROJECTION | |
| | | DRAWING: A3-SIZE | SERIES: 560125 | | |