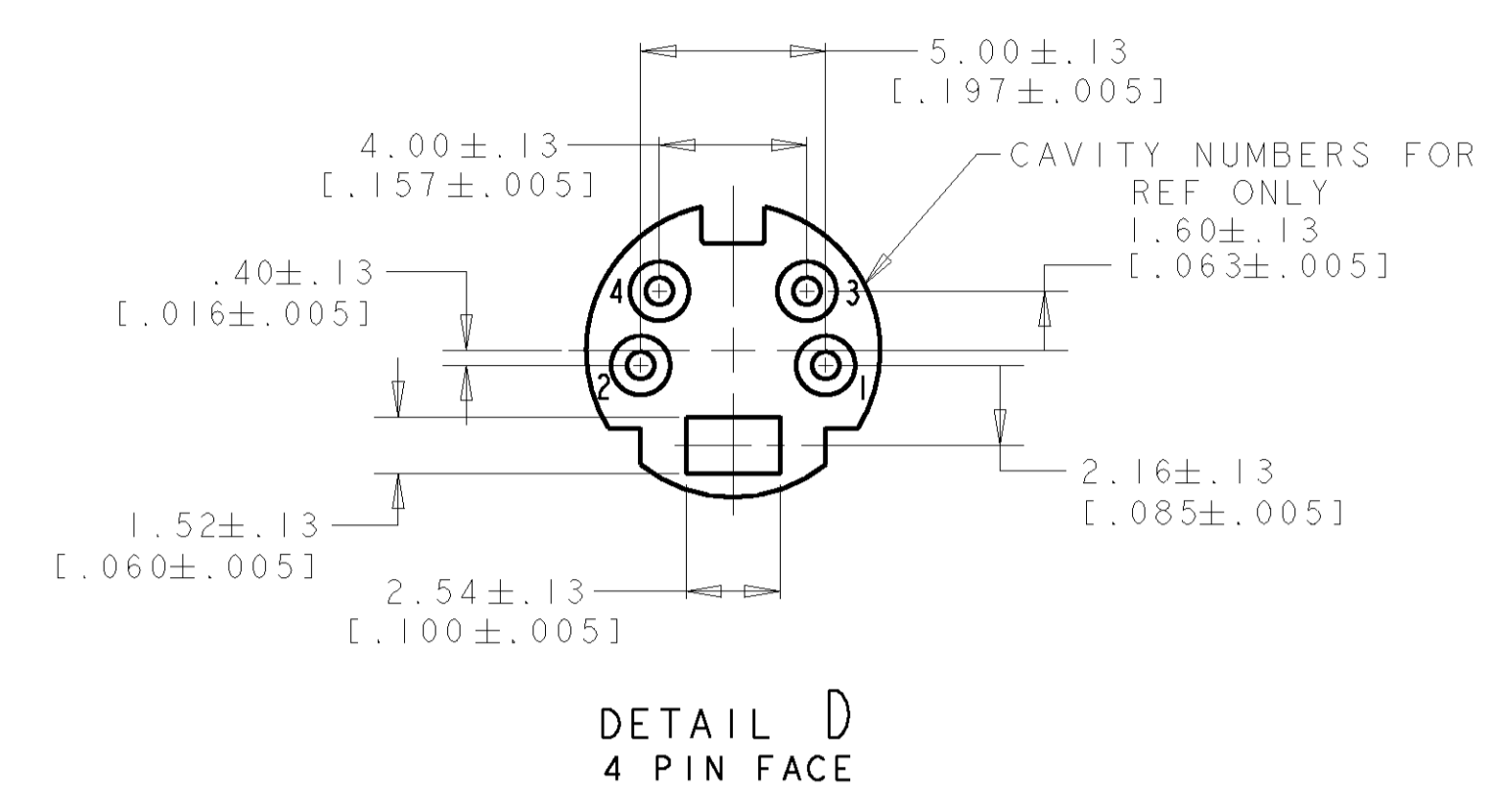
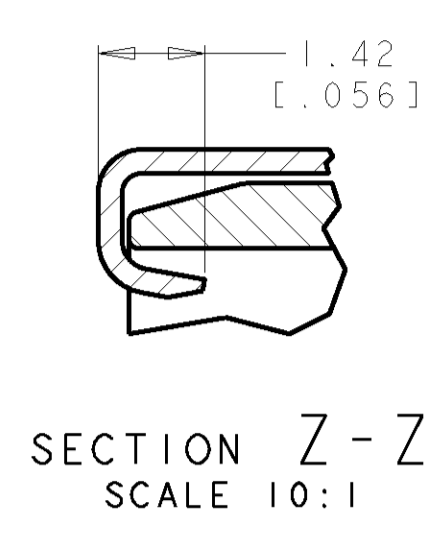
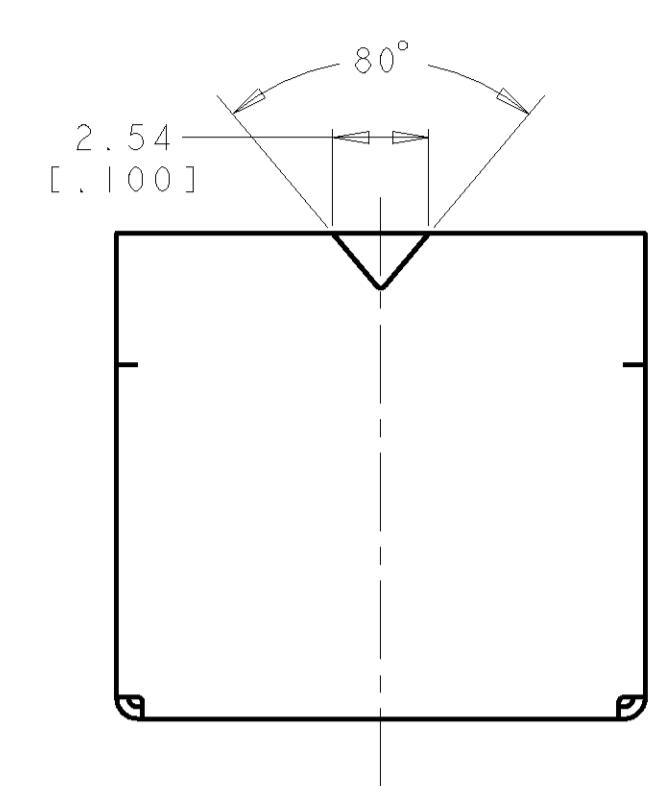
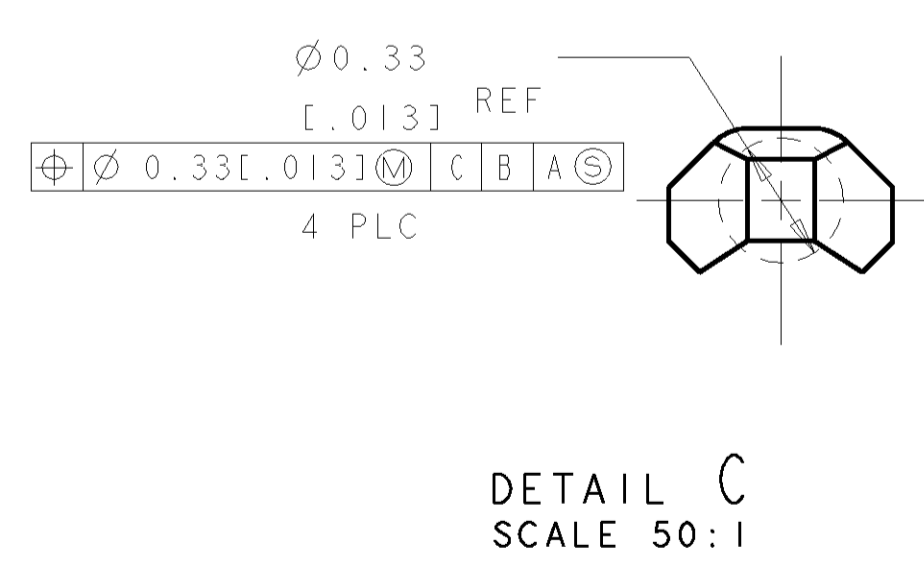
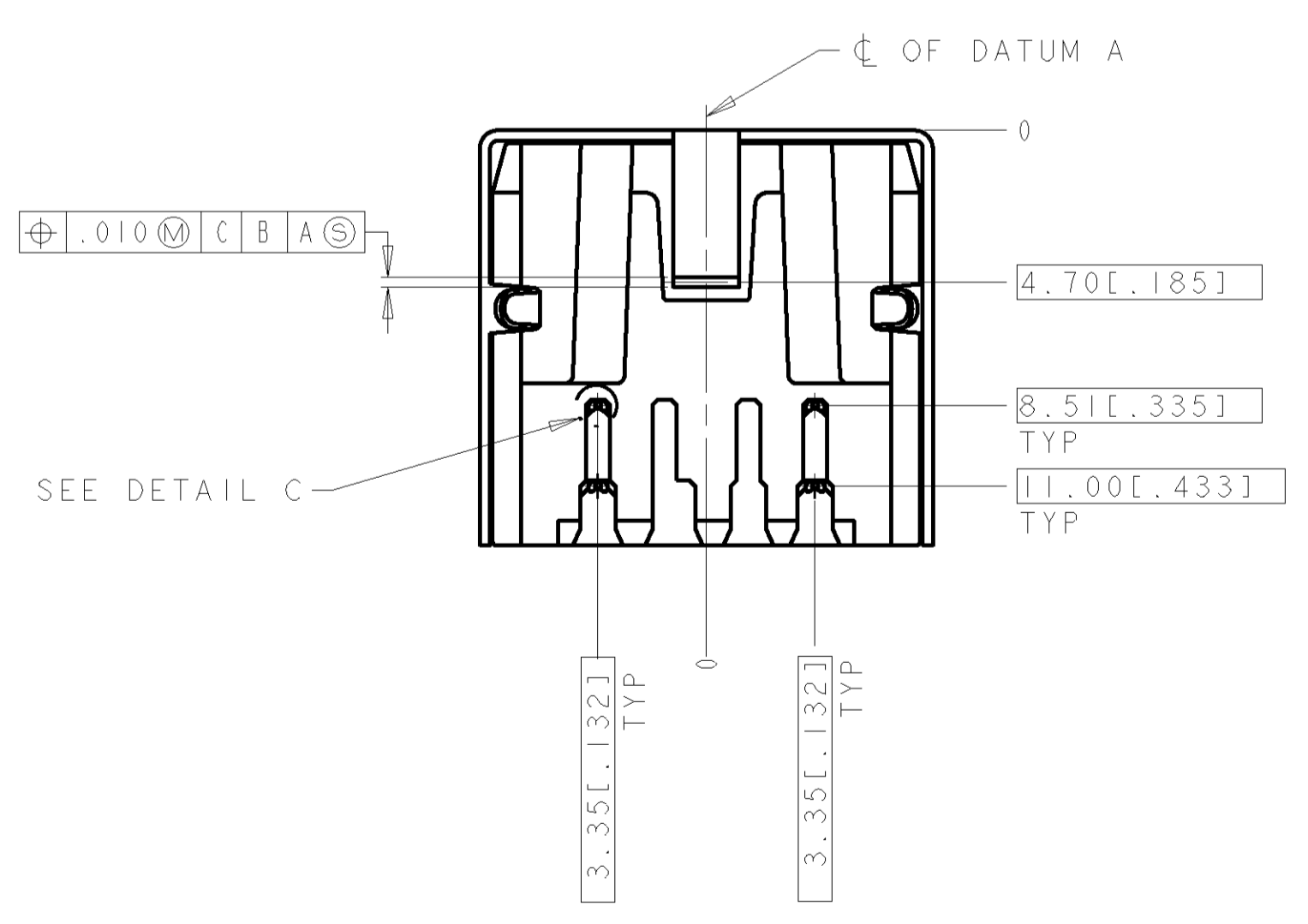
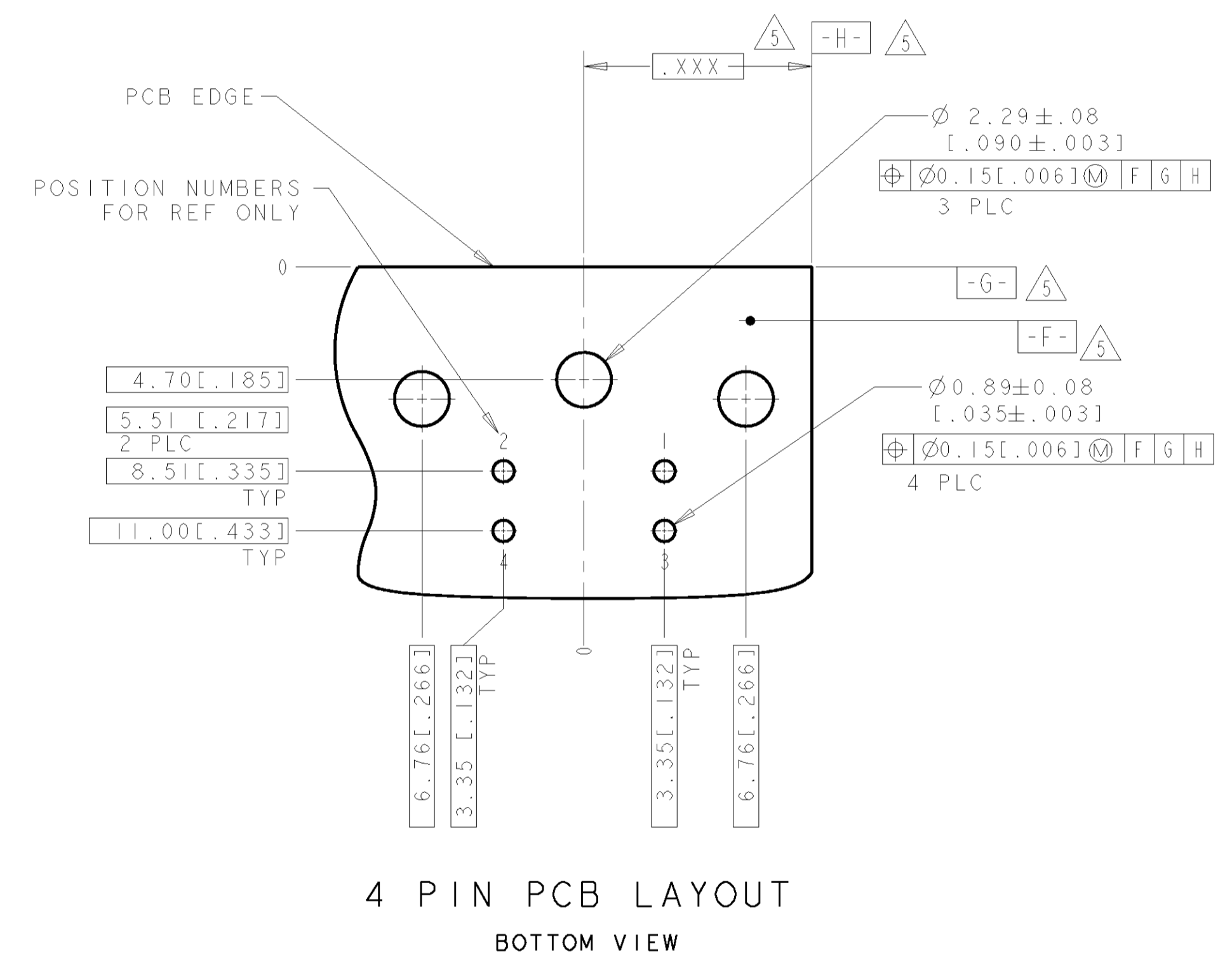
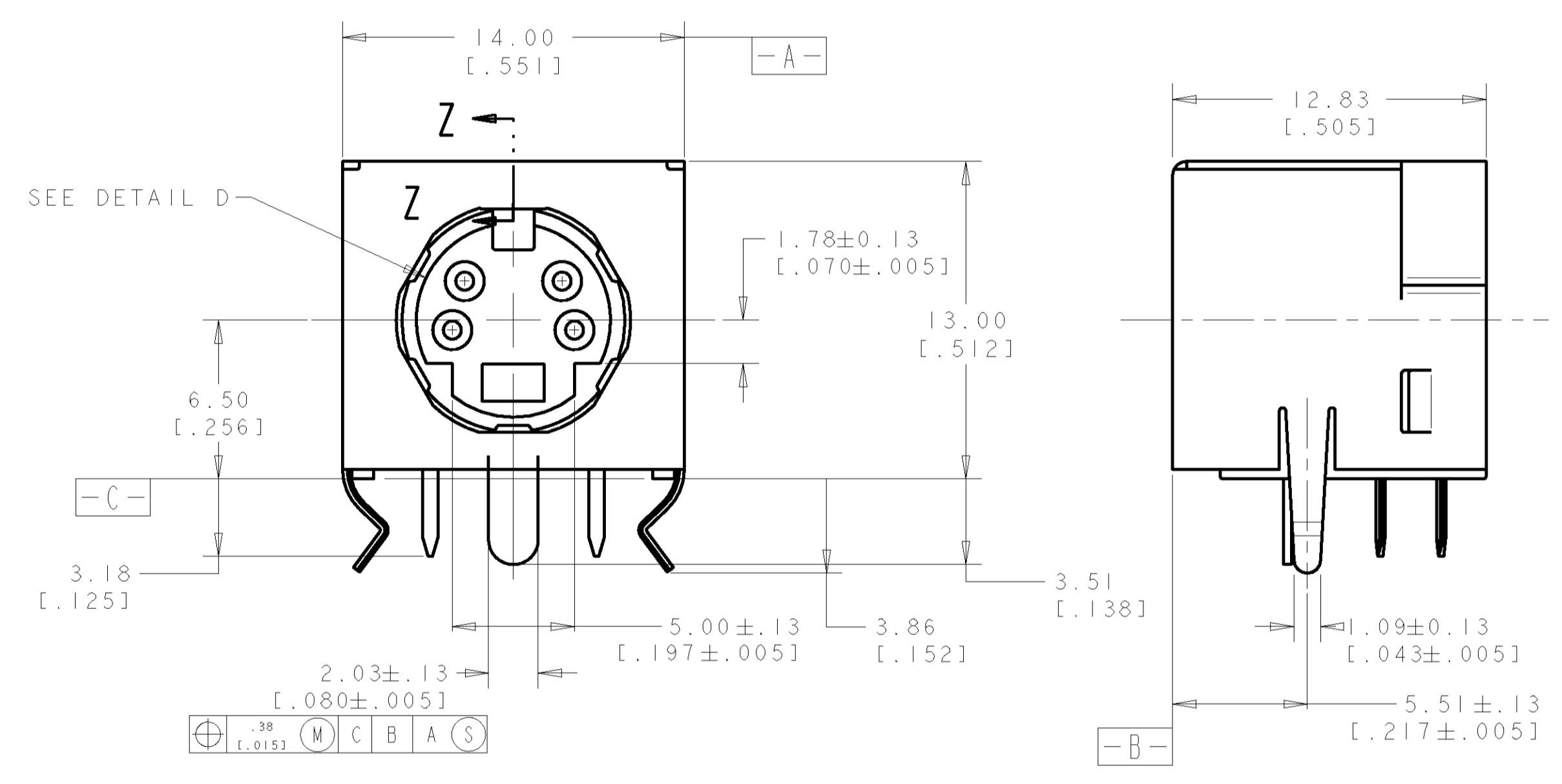


LOC	DIST	REV	DESCRIPTION	DATE	DNM	APRD
DY	-	P	REVISED PER ECO-11-005139	19MAR11	RK	HMR



- ⚠ RECEPTACLE CONTACTS: COPPER ALLOY.
RECEPTACLE SHIELD: COPPER ALLOY.
HOUSING: THERMOPLASTIC, COLOR: SEE TABLE, UL 94V-0 RATED.
- ⚠ PLATING:
RECEPTACLE CONTACTS - GOLD PLATED .00076 MIN [0.00030 MIN] THICK ON MATING END, MATTE-TIN PLATED .0030 MIN [0.00120 MIN] THICK ON SOLDER TAIL ALL OVER .0013 MIN [0.00050 MIN] THICK NICKEL.
- ⚠ PLATING:
SHIELD: PRE-TIN PLATED
- 4. RECEPTACLE ASSEMBLY MATES WITH 4 PIN 9.00±.10 [0.354±.004] DIAMETER PLUG.
- ⚠ DATUMS AND BASIC DIMENSION SUPPLIED BY CUSTOMER.



BLACK	5749181-1
HOUSING COLOR	PART NO

DIMENSIONS: mm [INCHES]		TOLERANCES UNLESS OTHERWISE SPECIFIED:		DWG: WYLEE 31DEC2004	
0 PLC	±	0 PLC	±	CR: SF LEONG	NAME: RECEPTACLE ASSY W/ HOLD DOWN, 4 POS RIGHT ANGLE, MINIATURE CIRCULAR DIN
2 PLC	±	2 PLC	±	APRD: SF LEONG	PRODUCT SPEC: 108-1225
3 PLC	±	3 PLC	±0.38 [0.015]	APPLICATION SPEC: 114-40031	SIZE: A1
4 PLC	±	4 PLC	±	WEIGHT: -	CAGE CODE: 00779
5 PLC	±	5 PLC	±	CUSTOMER DRAWING	DRAWING NO: 5749181
ANGLES: ±0°30'		SCALE: 5:1		SHEET: 1 OF 1	REV: P