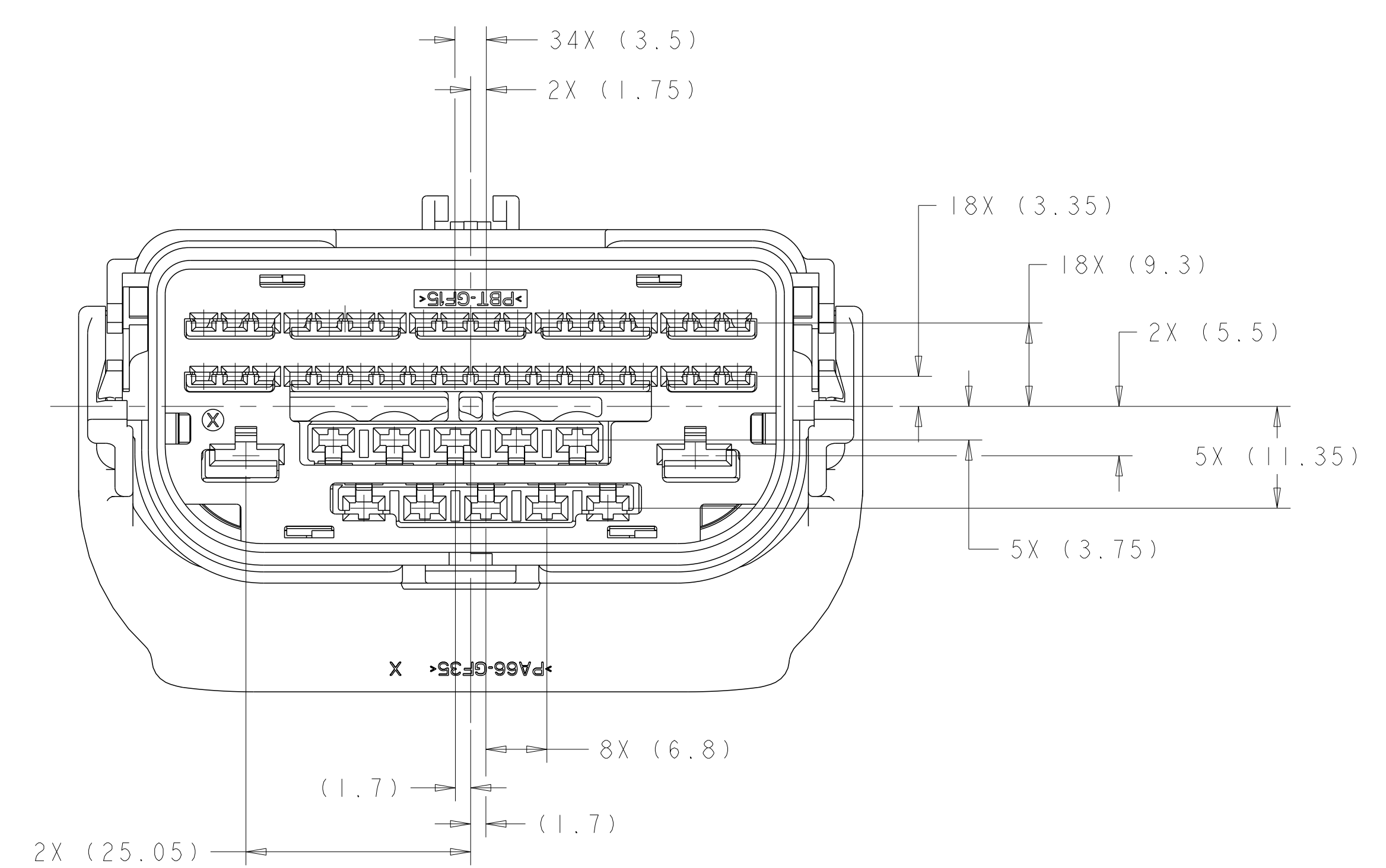
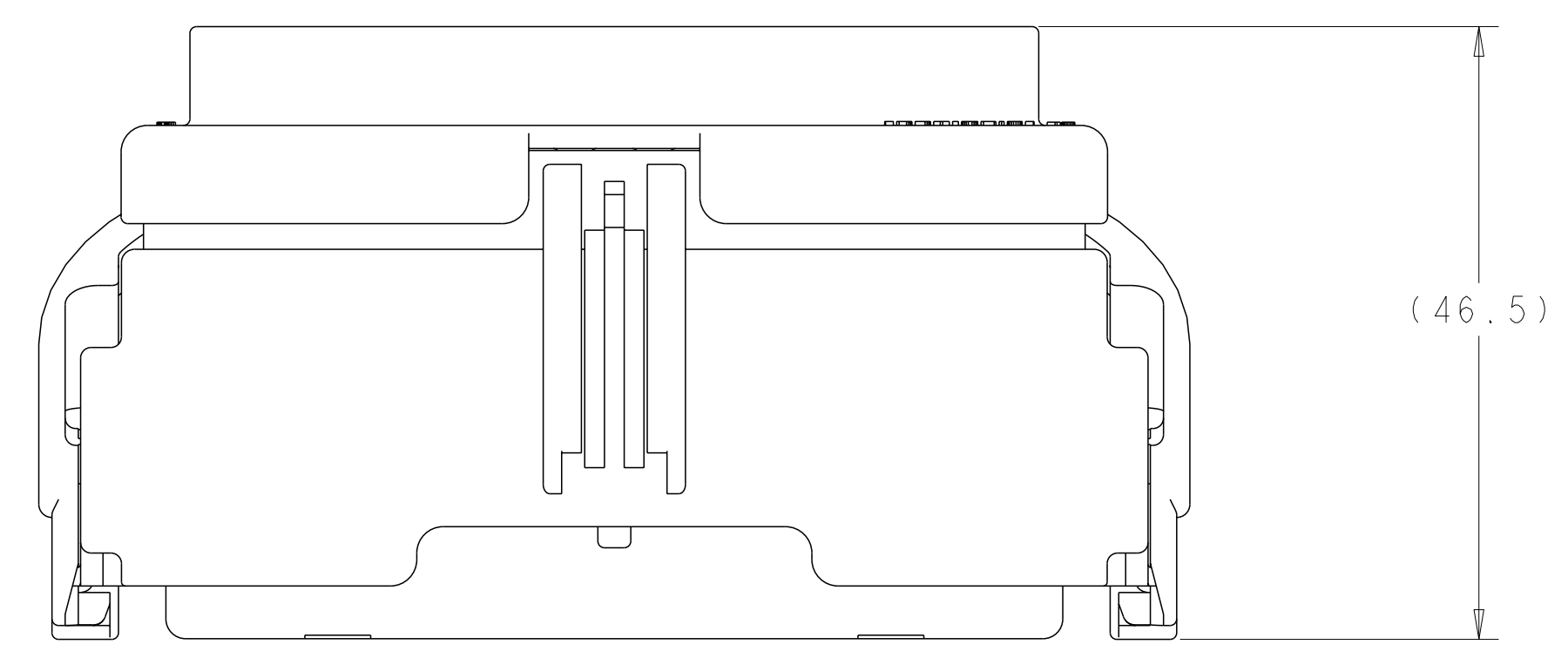
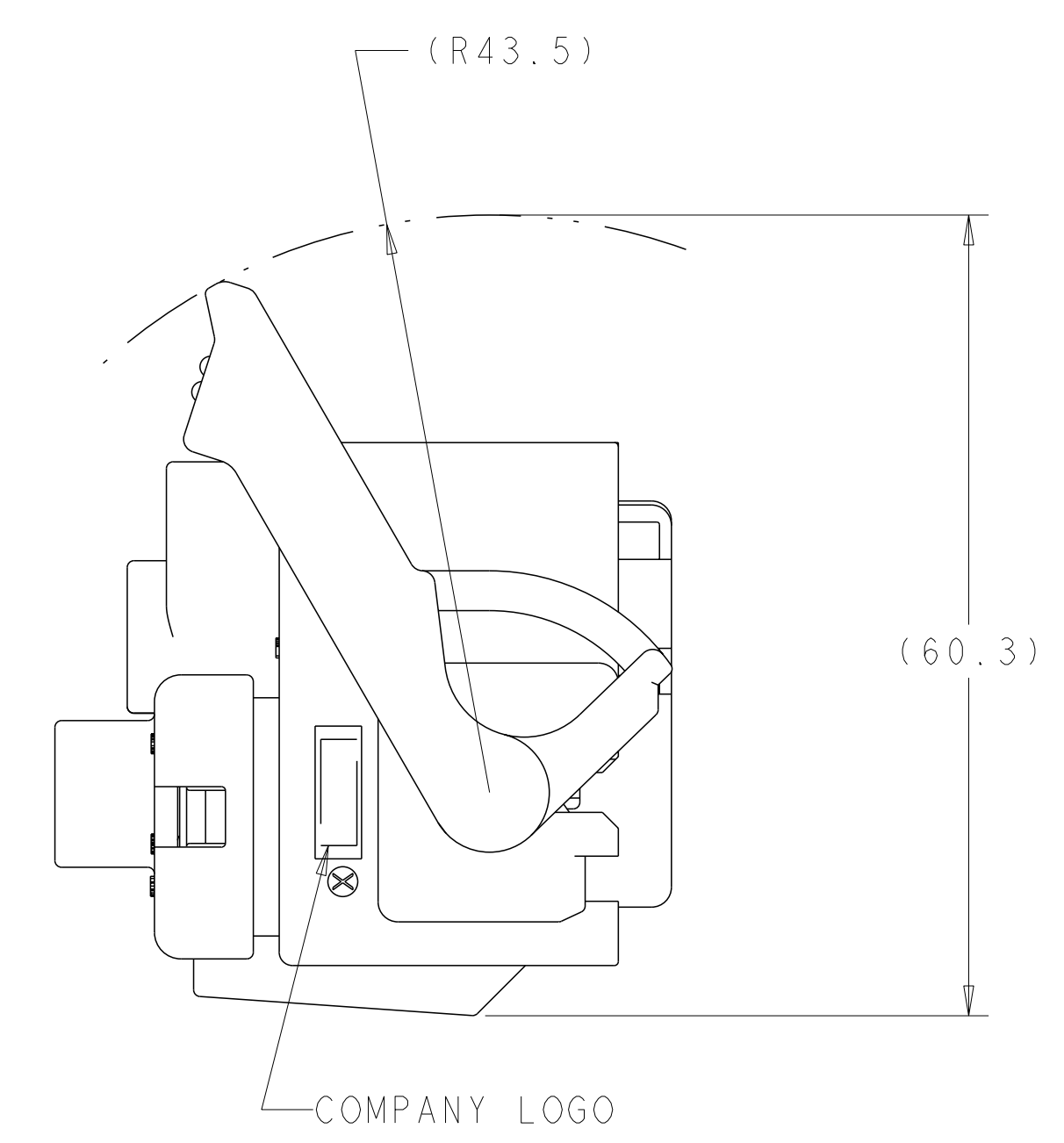
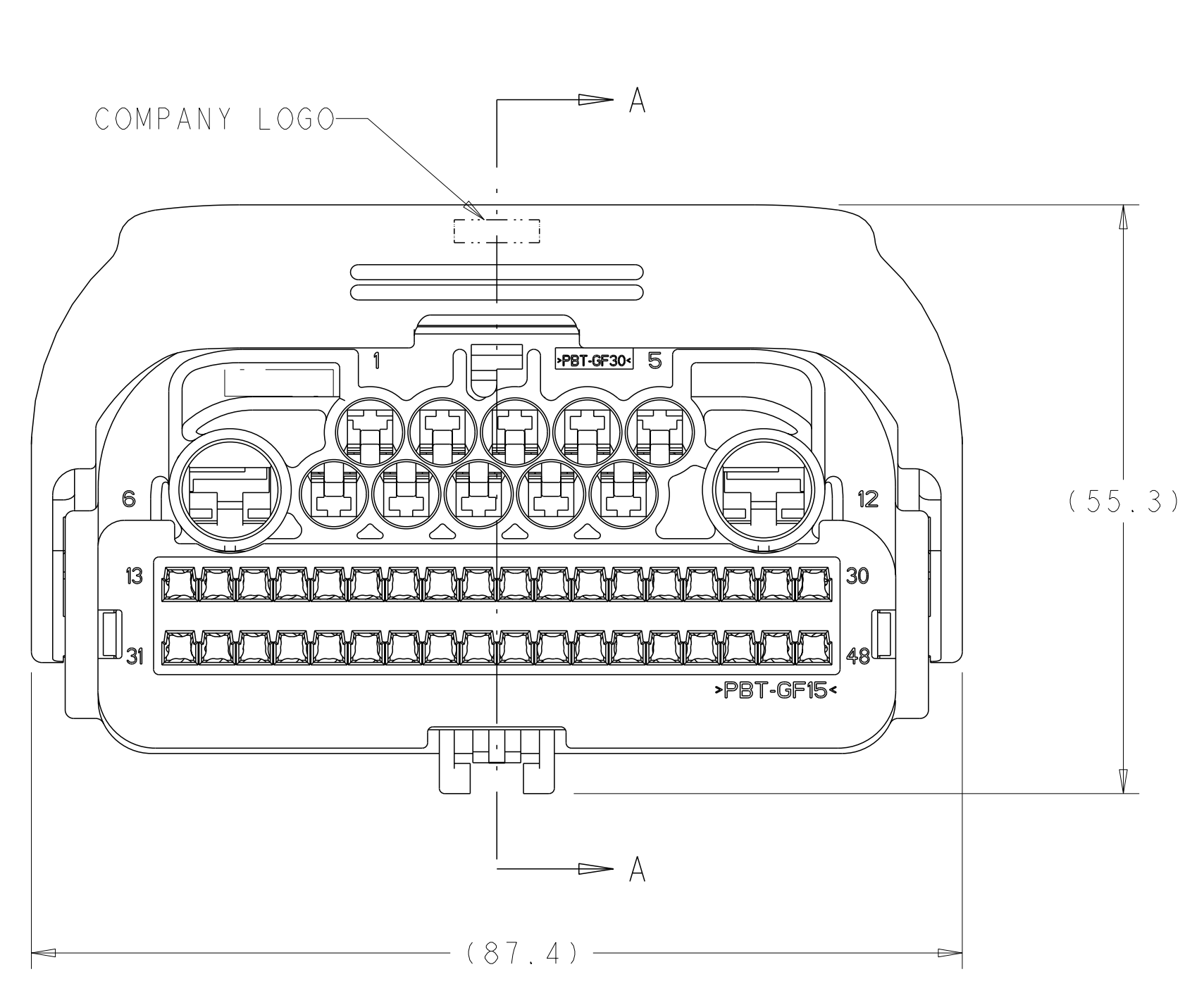
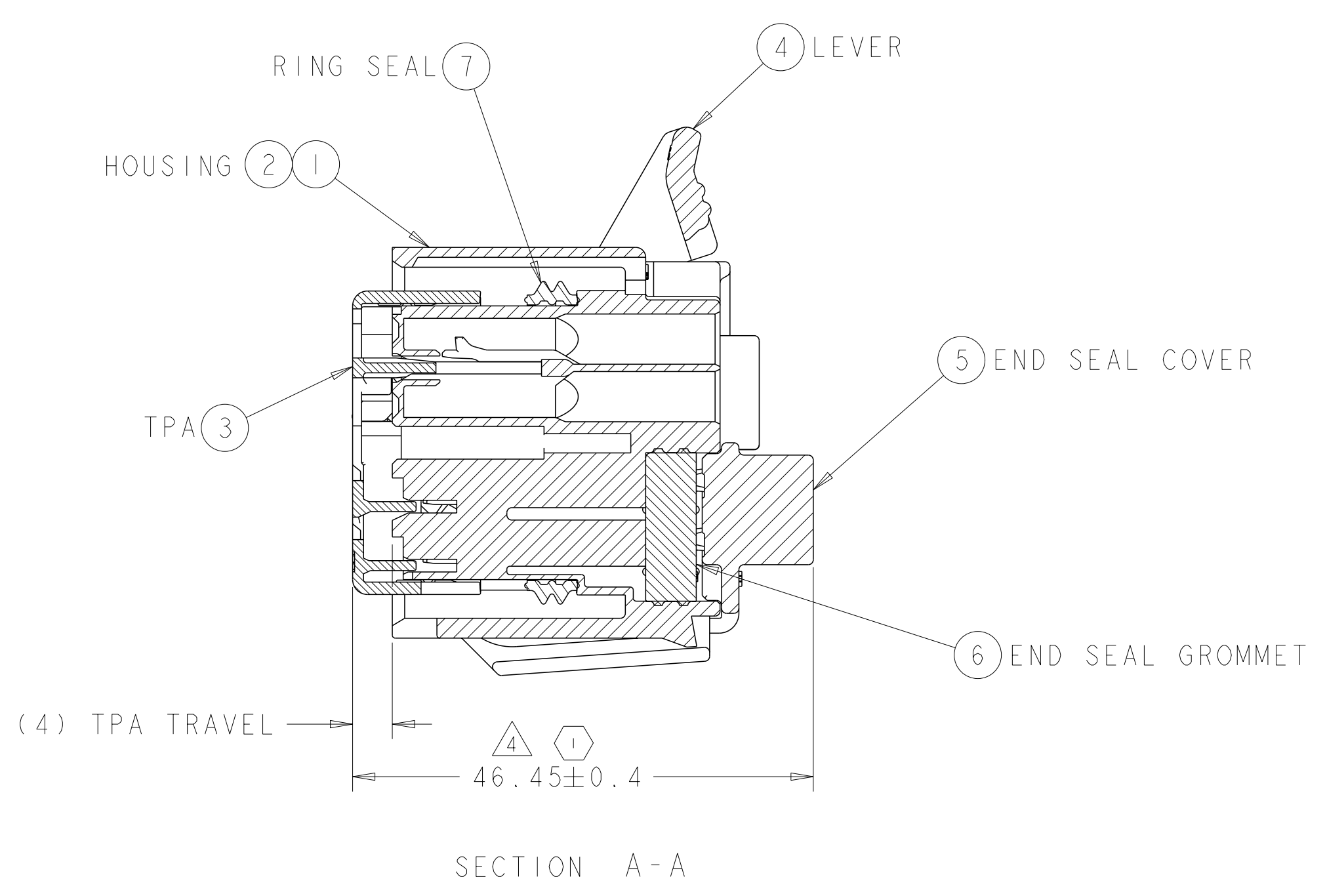


REVISIONS				
REV	DATE	BY	CHKD	APPD
B1	24JUL2011	RGV	GR	
B2	15JUL2011	JMS	HC	
B3	14SEP2011	AP	GR	
B4	08FEB2013	SR	HC	

BOM								
QUANTITY		ITEM	DESCRIPTION	SUPPLIER PART NUMBER	MATERIAL SPECIFICATION	RECYCLING CODE	COLOR	WEIGHT (GRAM)
INDEX B	INDEX A							
-	1	1	HOUSING, KEYING OPTION "A"	1438529-1	30% GF PBT	PBT-GF30	BLACK	49.3g
1	-	2	HOUSING, KEYING OPTION "B"	1438529-2	30% GF PBT	PBT-GF30	NATURAL	49.3g
1	1	3	TPA	1438531-1	15% GF PBT	PBT-GF15	RED	5.3g
1	1	4	LEVER	1587130-1	35% GF NYLON	PA66-GF35	LIGHT GRAY	7.0g
1	1	5	END SEAL COVER	1438533-1	15% GF PBT	PBT-GF15	BLACK	6.3g
1	1	6	END SEAL GROMMET	2203539-1	SILICON	VMO	RUST RED	4.9g
1	1	7	RING SEAL	1587133-1	SILICON	VMO	DARK BLUE	1.4g



APPLICABLE COMPONENTS (FOR REFERENCE ONLY)				APPLICABLE WIRE SIZES (FOR REFERENCE ONLY)	COMPONENT MATING PART NUMBER
DESCRIPTION	COLOR/PLATING	SUPPLIER	SUPPLIER PART NUMBER		
CAVITY PLUG - 6.3mm	GREEN	YAZAKI	7158-3080-60	N/A	N/A
CAVITY PLUG - 2.8mm	BLUE	YAZAKI	7158-3114-90	N/A	N/A
TERMINAL - FEMALE 1.5mm	TIN	TE	638652-1	16 AWG OR METRIC EQUIVALENT	1488657-1
TERMINAL - FEMALE 1.5mm	TIN	TE	638652-2	18-20 AWG OR METRIC EQUIVALENT	1488657-2
TERMINAL - FEMALE 2.8mm	TIN	TE	1326032-2	20 AWG OR METRIC EQUIVALENT	1326031-2
TERMINAL - FEMALE 2.8mm	TIN	TE	1326032-3	18 AWG OR METRIC EQUIVALENT	1326031-3
TERMINAL - FEMALE 2.8mm	TIN	TE	1326032-4	16 AWG OR METRIC EQUIVALENT	1326031-4
TERMINAL - FEMALE 2.8mm	TIN	TE	1326032-5	14 AWG OR METRIC EQUIVALENT	1326031-5
TERMINAL - FEMALE 2.8mm	TIN	TE	1326032-6	12 AWG OR METRIC EQUIVALENT	1-1326031-1
CABLE SEAL - 2.8mm	GREEN	YAZAKI	7158-3111-60	1.2-1.9mm WIRE O.D.	N/A
CABLE SEAL - 2.8mm	YELLOW	YAZAKI	7158-3112-70	1.8-2.3mm WIRE O.D.	N/A
CABLE SEAL - 2.8mm	WHITE	YAZAKI	7158-3113-40	2.1-3.0mm WIRE O.D.	N/A
CABLE SEAL - 2.8mm	LT GRAY	YAZAKI	7158-3110-40	3.1-3.3mm WIRE O.D.	N/A
TERMINAL - FEMALE 6.3mm	TIN	YAZAKI	7116-4140-02	20-16 AWG OR METRIC EQUIVALENT	7114-4140-02
TERMINAL - FEMALE 6.3mm	TIN	YAZAKI	7116-4141-02	14 AWG OR METRIC EQUIVALENT	7114-4141-02
TERMINAL - FEMALE 6.3mm	TIN	YAZAKI	7116-4142-02	12 AWG OR METRIC EQUIVALENT	7114-4142-02
TERMINAL - FEMALE 6.3mm	TIN	YAZAKI	7116-4143-02	10 AWG OR METRIC EQUIVALENT	7114-4143-02
CABLE SEAL - 6.3mm	RED	YAZAKI	7158-3081-50	1.4-2.3mm WIRE O.D.	N/A
CABLE SEAL - 6.3mm	BLUE	YAZAKI	7158-3082-90	2.1-3.0mm WIRE O.D.	N/A
CABLE SEAL - 6.3mm	BLACK	YAZAKI	7158-3083	3.0-3.8mm WIRE O.D.	N/A
CABLE SEAL - 6.3mm	LT GRAY	YAZAKI	7158-3084-40	3.8-4.05mm WIRE O.D.	N/A
ANTI-ROTATION CLIP	BLACK	TE	1437839-1	N/A	N/A

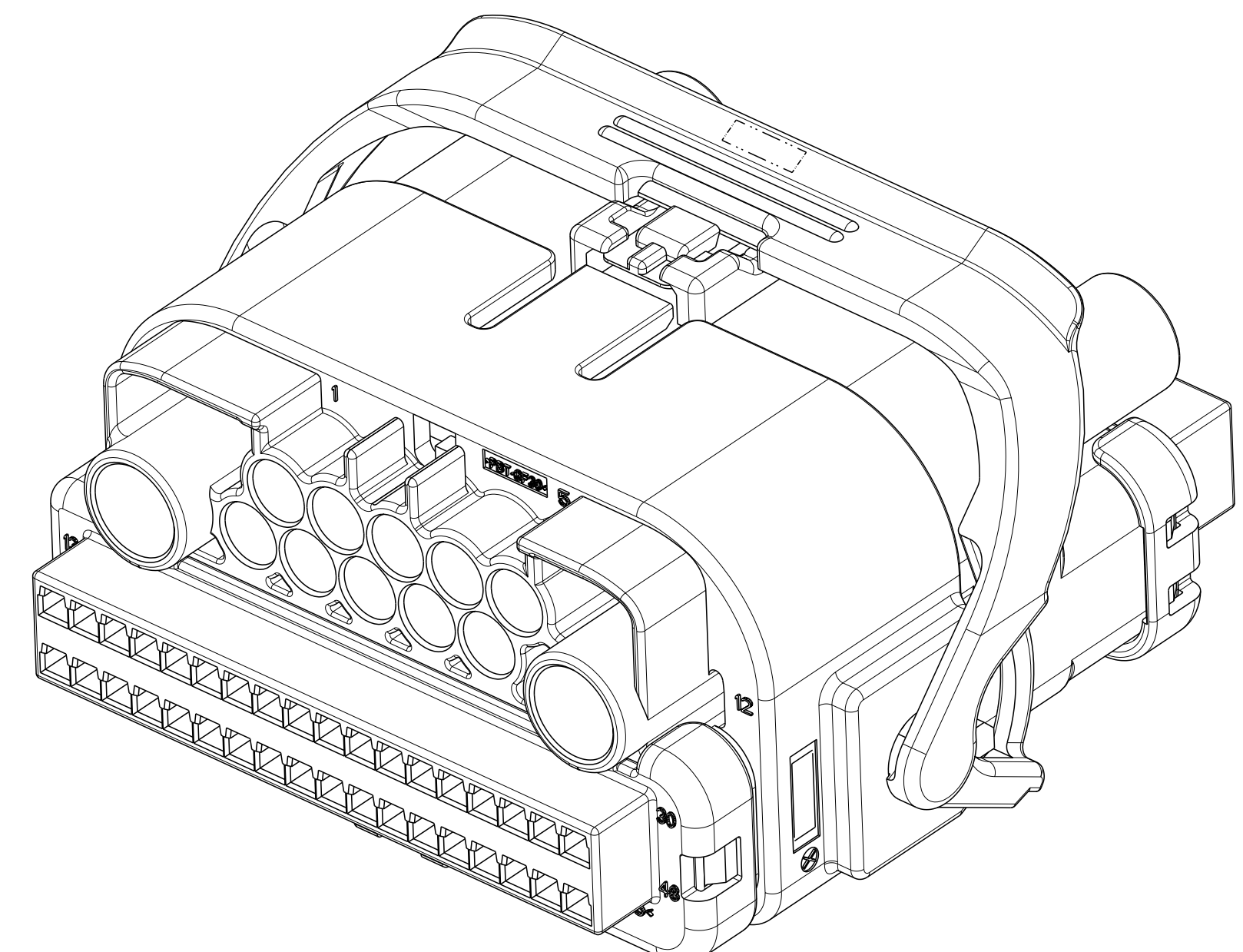
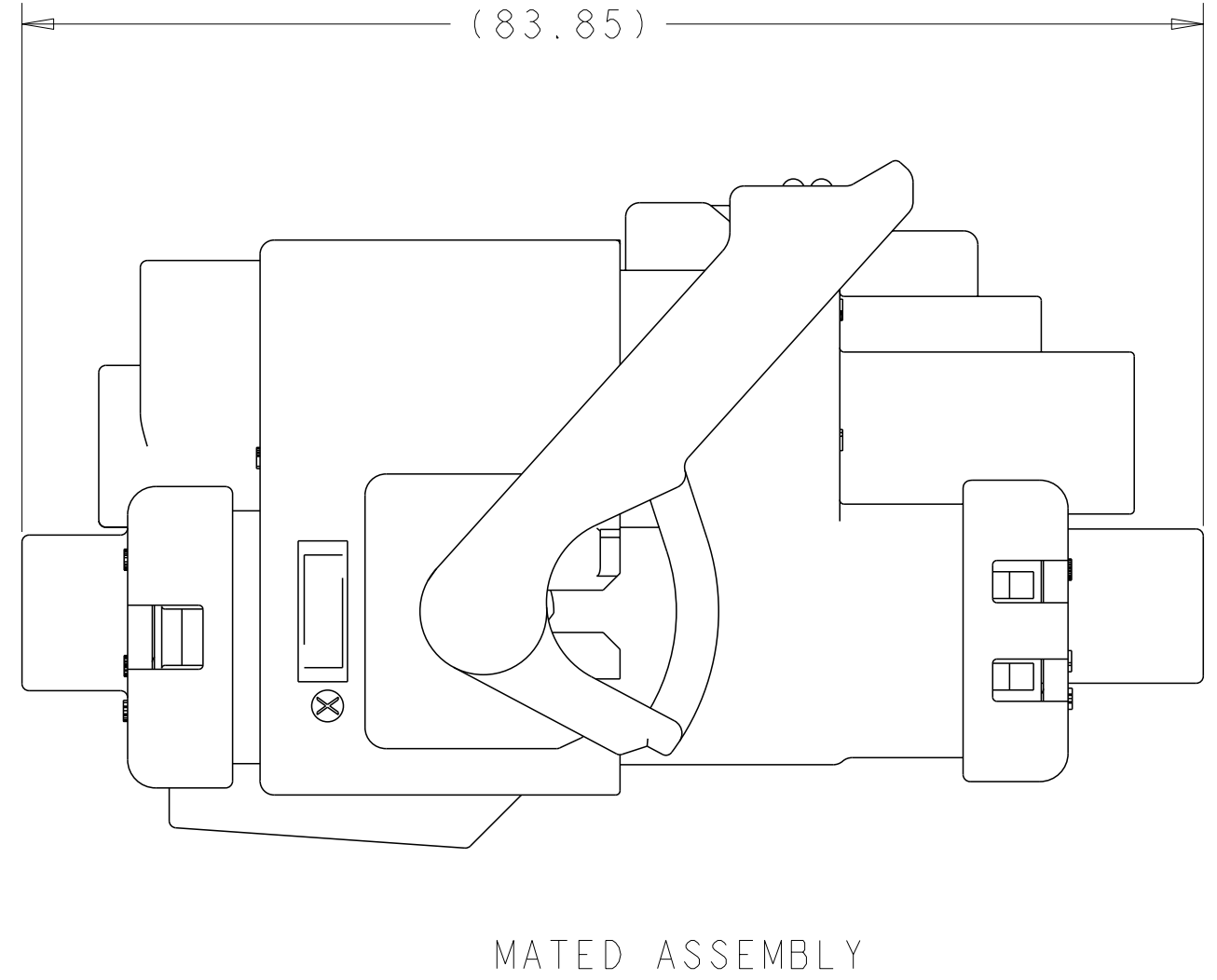
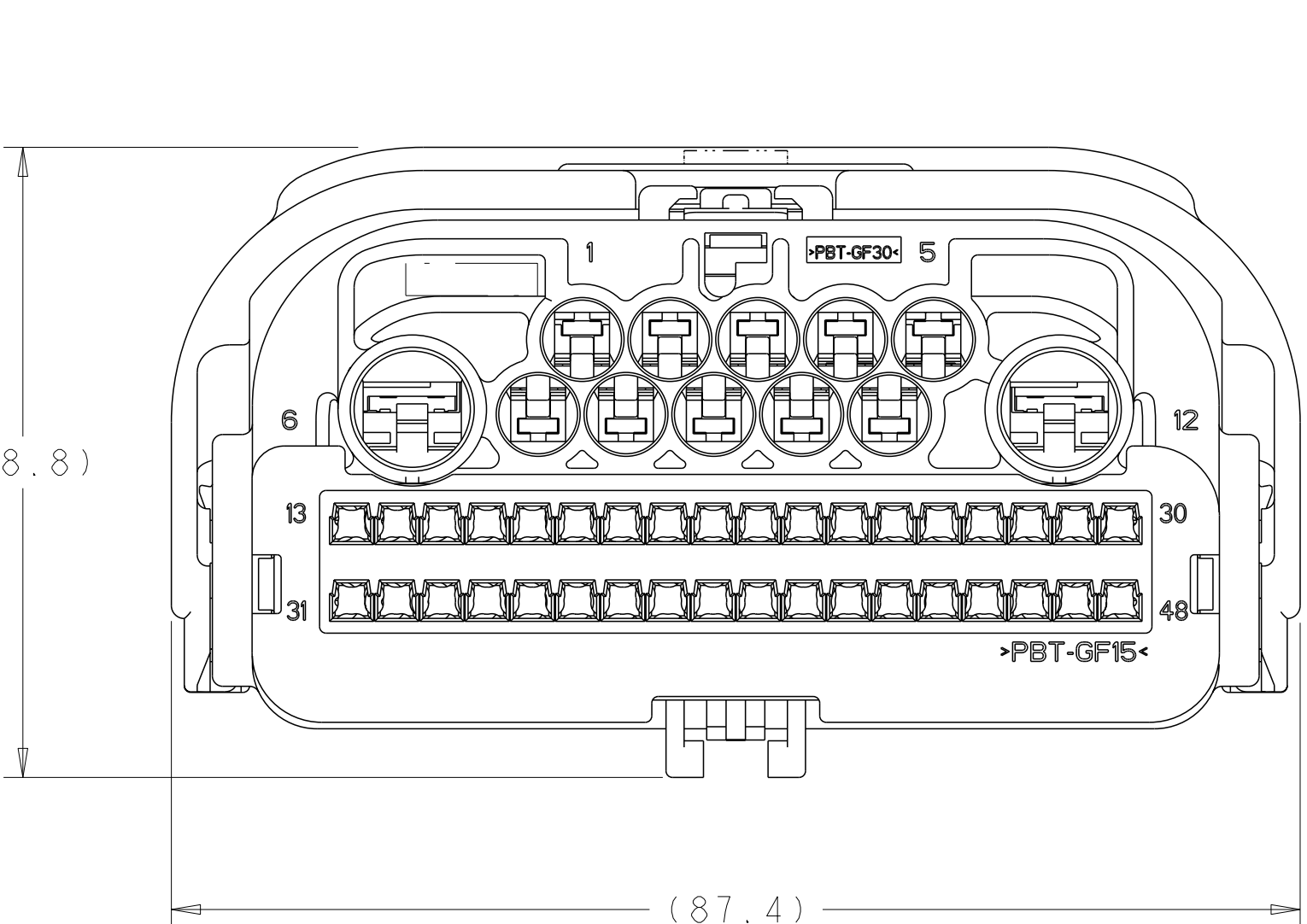
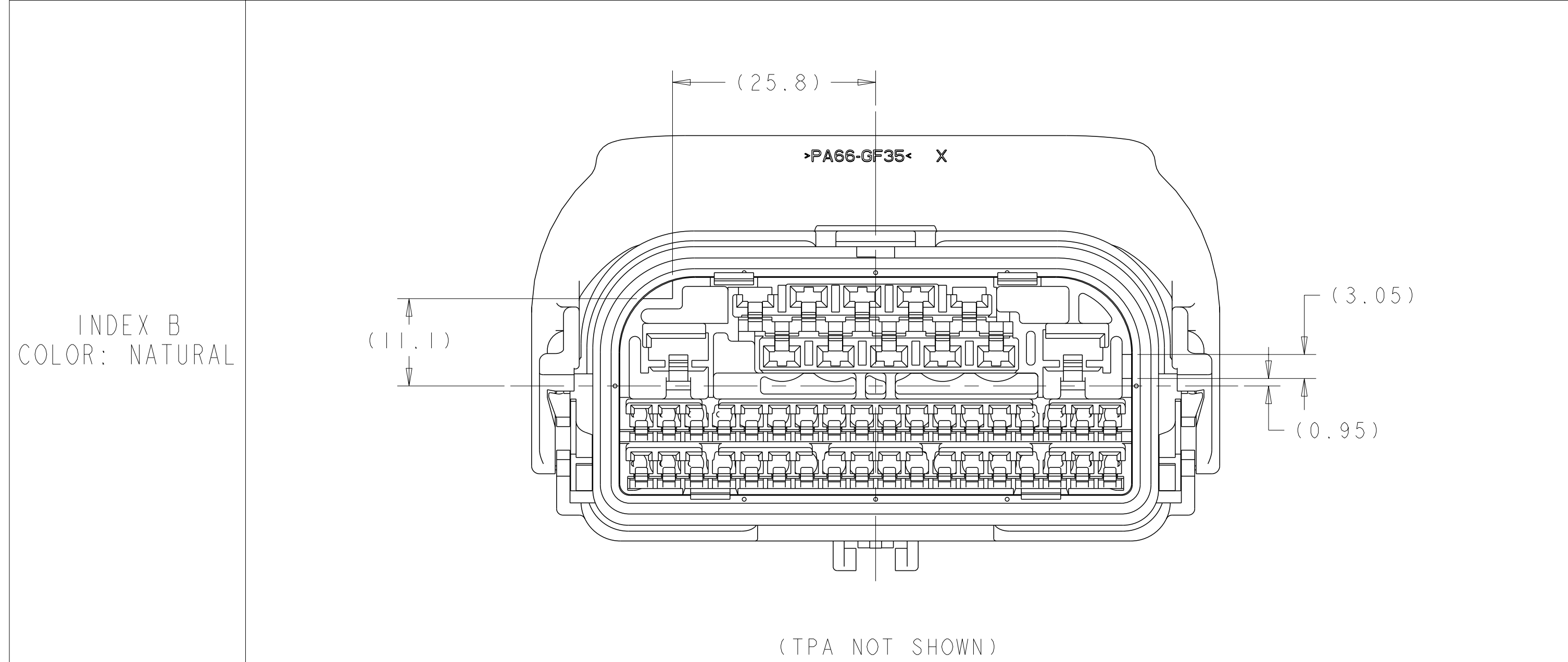
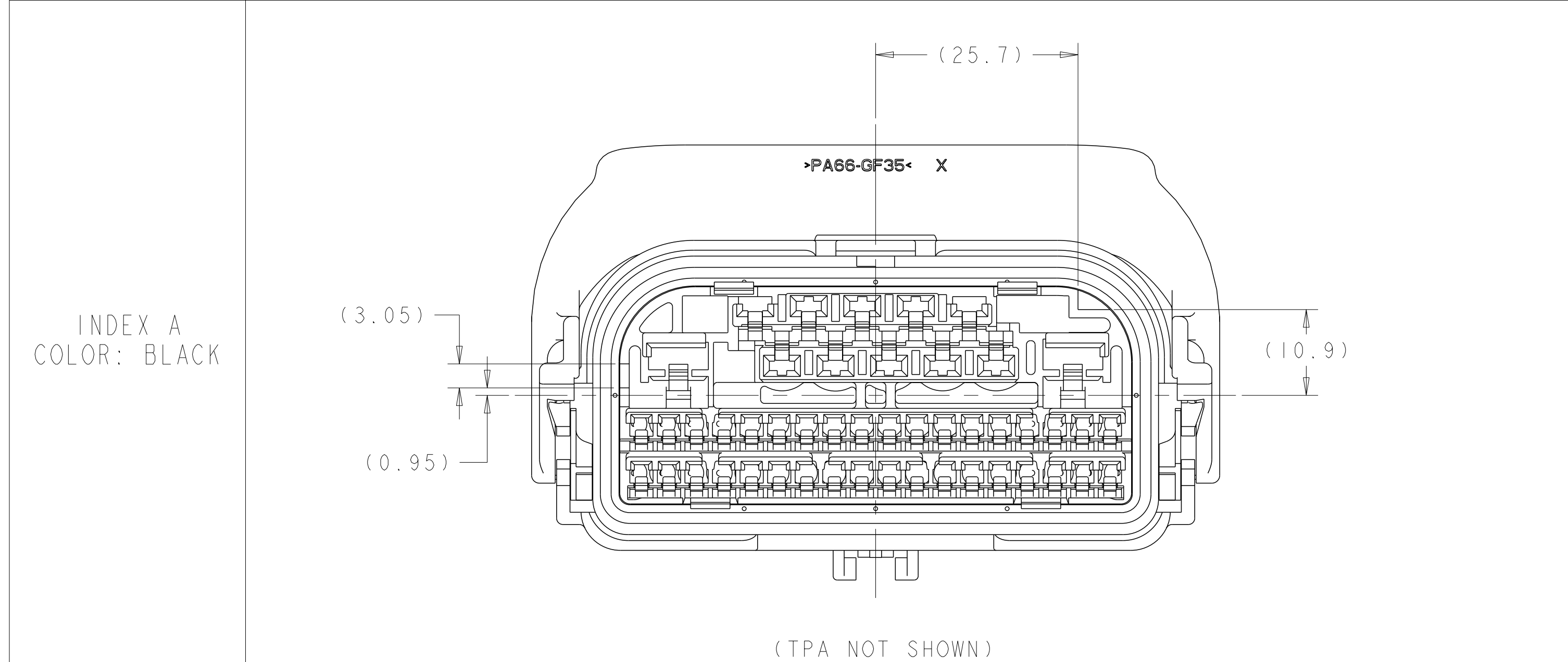
NOTE: SEE SUPPLIER DRAWINGS FOR LATEST INFORMATION AND CRIMP SPECIFICATIONS

- PRODUCT QUALIFICATION PER USCAR-2, REV 4 REFERENCE DVP&R B046819-DVPR-03, WITH THE FOLLOWING EXCEPTIONS:
    - 5.4.5.3: MIN FORCE REQUIRED TO REMOVE TPA FROM HOUSING IS 15N.
    - 5.4.3.3: MIN FORCE TO REMOVE CONNECTORS FROM PRE-MATE CONDITION IS 10N.
  - PRINT JULIAN DATE CODE (YYDDD), 4 DIGIT PART NUMBER CODE (28\*\*\*) IN THIS LOCATION AT ASSEMBLY. \*\* REPRESENTS ASSEMBLY DASH NUMBER. LOCATION TBD.
  - MATES WITH ASSEMBLY SHOWN ON DRAWING 776729.
- ⚠ TPA SHOWN IN PRE-SET POSITION. SEE TE INSTRUCTION SHEET 408-8957 FOR PROPER POSITIONING OF TPA, AND TE INSTRUCTION SHEET 408-8929 FOR APPLICATION USE OF THE CONNECTOR SYSTEM.
- ⚠ TERMINAL CAVITIES 13 - 48 ARE RESTRICTED TO WIRE O.D. RANGE OF 1.40 - 2.34mm.

THIS DRAWING IS A CONTROLLED DOCUMENT.		REV: 19JUL2005	DATE: 19JUL2005		TE Connectivity
DIMENSIONS: (mm)		REV: 19JUL2005	DATE: 19JUL2005		48-WAY, SEALED HYBRID, FEMALE, PLUG ASSEMBLY
MATERIAL: -		REV: 19JUL2005	DATE: 19JUL2005	SIZE: A0	
FINISH: -		REV: 19JUL2005	DATE: 19JUL2005	SCALE: 1:1	
WEIGHT: 74.1g		REV: 19JUL2005	DATE: 19JUL2005	SHEET 1 OF 2	
CUSTOMER DRAWING		REV: 19JUL2005	DATE: 19JUL2005	PART NO: 00779	

REVISIONS table with columns: P, L, W, DESCRIPTION, DATE, DW, APD. Row 1: SEE SHEET 1

FEMALE HOUSING ASSEMBLY



FEMALE CONNECTOR (PLUG) COVER HOLE PLUG CONFIGURATION table listing part numbers and terminal configurations for various models.

CAVITIES WITH A NUMERIC SYMBOL INDICATES CLOSED TERMINAL LOCATIONS BLANK CAVITIES INDICATES OPEN TERMINAL HOLE LOCATIONS

STE logo, TE Connectivity, 48-WAY SEALED HYBRID FEMALE PLUG ASSEMBLY, drawing details, and customer drawing information.