

## Ambient Light Sensor

### 5mm T-1

### ALS-PDT243-3C/L451

#### Features

- Light to Current, analog output
- Good output linearity across wide illumination range
- Operation temperature performance, -30°C to 85°C
- Wide supply voltage range, 3V to 24V
- High efficiency light current output
- Lower dark current 0.1uA
- Lower cost
- Size : 5mm Lamp (Flat lens)
- The product itself will remain within RoHS compliant version
- Compliance with EU REACH
- Compliance Halogen Free(Br < 900ppm, Cl < 900ppm, Br+Cl < 1500ppm)



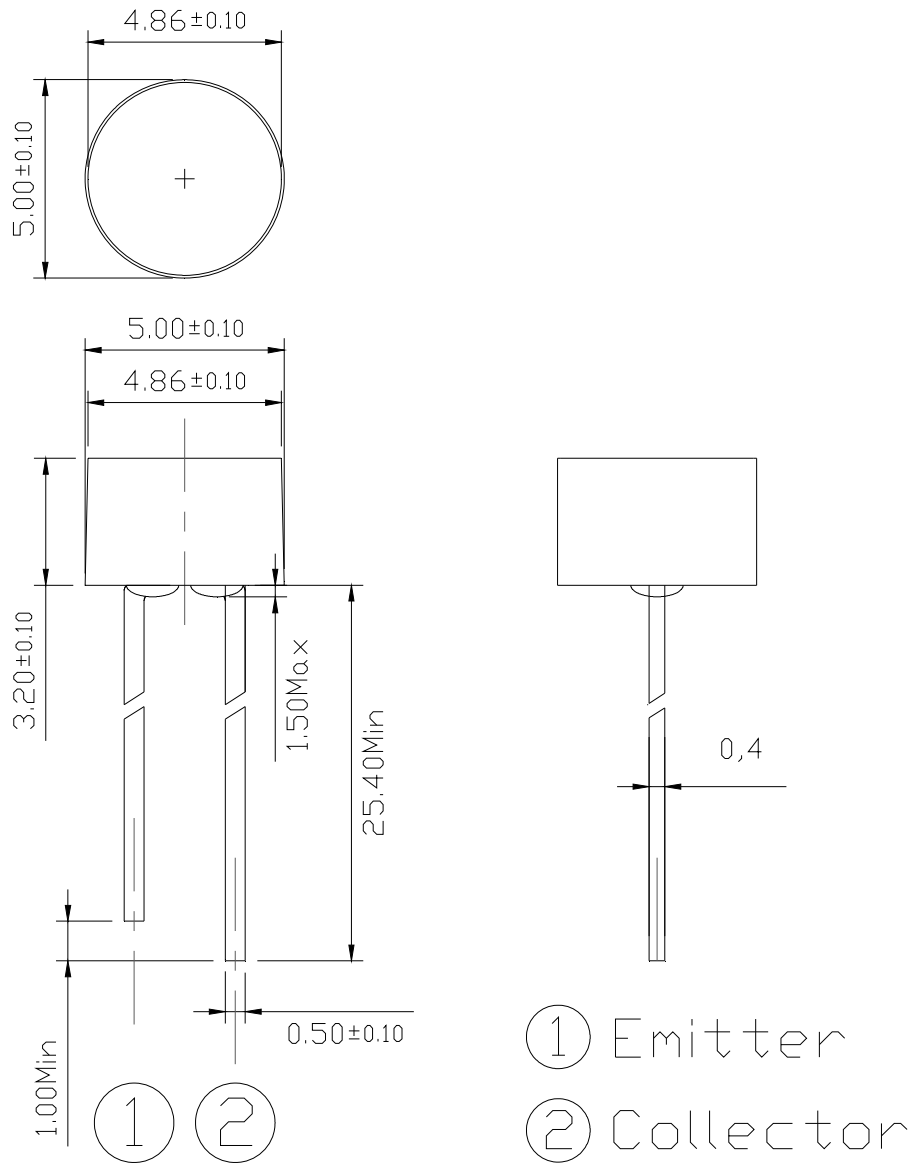
#### Description

- The ALS-PDT243-3C/L451 is an ambient light sensor using a photo transistor in a DIP package. It is used to replace traditional CdS sensors, since Cadmium is no longer allowed by RoHS.

#### Applications

- Detection of ambient light to control electrical unit
  - Lighting devices – Road lamp, Night lamp
  - Consumer device – LCD TV, Toys, Gaming

### Package Dimensions



#### Notes:

1. All dimensions are in millimeters
2. Tolerances unless dimensions  $\pm 0.1$  mm

### Absolute Maximum Ratings

Parameter	Symbol	Rating	Unit
Operating Temperature Range	Topr	-30~85	°C
Storage Temperature Range	Tstg	-30~100	°C
Collector-Emitter Breakdown Voltage	$V_{(BR)CEO}$	60	V
Emitter-Collector Breakdown Voltage	$V_{(BR)ECO}$	8	V
Supply Voltage	$V_{CC}$	2~24	V
Soldering Temperature Range	$T_{sol}$	260	°C

### Recommended Operating Conditions

Parameter	Symbol	Min.	Max.	Unit
Operating Temperature	Topr	-30	85	°C
Supply Voltage	$V_{CC}$	3	24	V

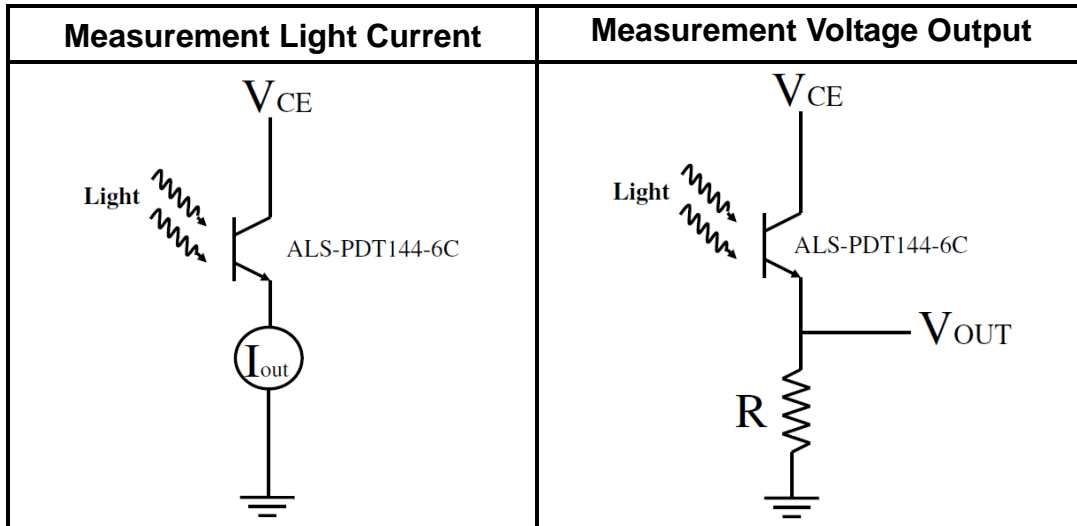
**Electrical and Optical Characteristics (T<sub>a</sub>=25°C)**

Parameter	Symbol	MIN.	TYP.	MAX.	Unit	Test Condition
Collector –Emitter Breakdown Voltage	BV <sub>CEO</sub>	---	60	---	V	I <sub>ceo</sub> =500uA
Dark Current	I <sub>CEO</sub>	---	---	0.1	uA	V <sub>CE</sub> =20V, E <sub>v</sub> = 0Lux
Collector-Emitter Saturation Voltage	V <sub>CE(sat)</sub>	---	---	1	V	I <sub>C</sub> =50mA, E <sub>v</sub> = 1000Lux
Light Current	I <sub>PH1</sub>	20	---	55	μA	V <sub>CE</sub> =5V, E <sub>v</sub> = 10Lux [Note1]
	I <sub>PH2</sub>	285	---	720	μA	V <sub>CE</sub> =5V, E <sub>v</sub> = 100Lux [Note1]
	I <sub>PH3</sub>	---	13	---	mA	V <sub>CE</sub> =5V, E <sub>v</sub> = 100Lux [Note2]
Saturation Output Voltage	V <sub>O</sub>	---	4.7	---	V	V <sub>CE</sub> =5V, E <sub>v</sub> = 1000Lux R <sub>L</sub> =2KΩ [Note2]
Peak Sensitivity Wavelength	λ <sub>p</sub>	---	790	---	nm	---
Sensitivity Wavelength Range	λ	400	---	1020	nm	---
Angle of half Sensitivity	2θ <sub>1/2</sub>	---	110	---	Deg.	---

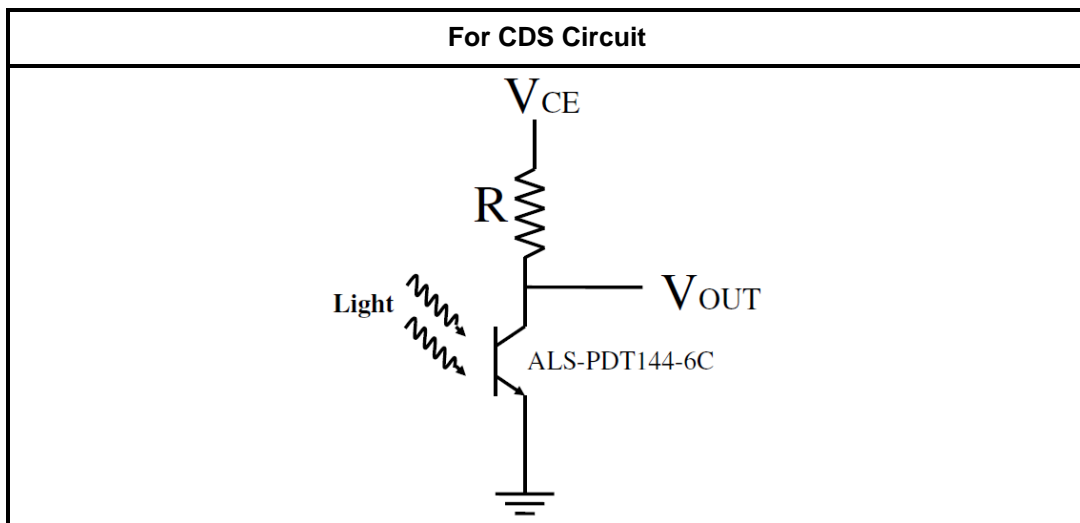
**Notice:**

1. White Fluorescent light (Color Temperature = 6500K) is used as light source. However, White LED is substituted in mass production.
2. Illuminance by CIE standard illuminant-A / 2856K, incandescent lamp.

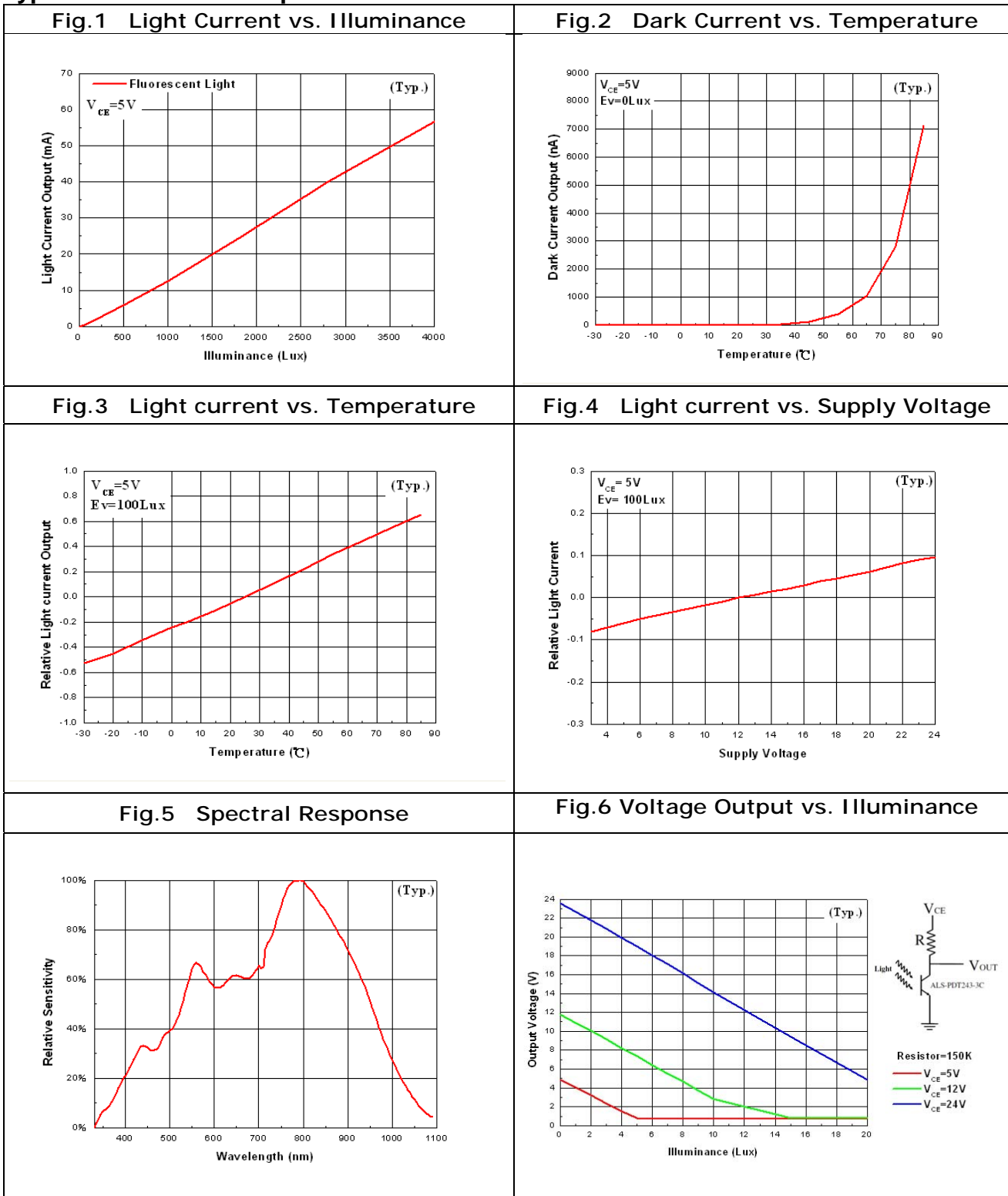
Recommend Application Circuit (ALS)



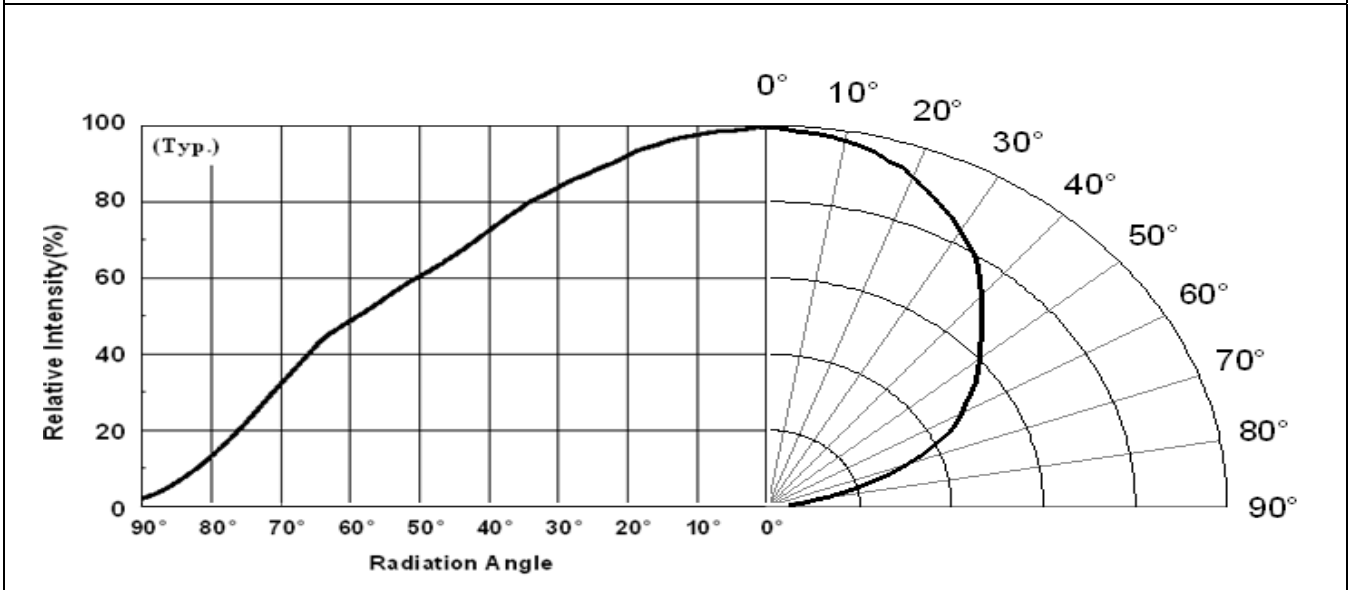
Recommend Application Circuit (CDS)



Typical Electrical and Optical Characteristics Curves



**Fig.7 Relative Intensity vs. Angle Displacement**



**Packing Quantity Specification**

1.500PCS/1Bag · 5Bags/1Box  
 2.10Boxes/1Carton

**Label Format**



**EVERLIGHT**

**10**

CPN:



P/N:



**RoHS**

QTY:



LOT NO:



Reference:



CAT:

HUE:

REF:

CPN: Customer's Production Number

P/N : Production Number

QTY: Packing Quantity

CAT: Ranks

HUE: Peak Wavelength

REF: Reference

LOT No: Lot Number

## **DISCLAIMER**

1. EVERLIGHT reserves the right(s) on the adjustment of product material mix for the specification.
2. The product meets EVERLIGHT published specification for a period of twelve (12) months from date of shipment.
3. The graphs shown in this datasheet are representing typical data only and do not show guaranteed values.
4. When using this product, please observe the absolute maximum ratings and the instructions for using outlined in these specification sheets. EVERLIGHT assumes no responsibility for any damage resulting from the use of the product which does not comply with the absolute maximum ratings and the instructions included in these specification sheets.
5. These specification sheets include materials protected under copyright of EVERLIGHT. Reproduction in any form is prohibited without obtaining EVERLIGHT's prior consent.
6. This product is not intended to be used for military, aircraft, automotive, medical, life sustaining or life saving applications or any other application which can result in human injury or death. Please contact authorized Everlight sales agent for special application request.