



cMT3108XH



10.1" Touchscreen HMI with Optional Wi-Fi



- Wireless Compatibility via M02 Wi-Fi Expansion Module*
- High Resolution/Wide Viewing Angle
- Optional CODESYS with Soft PLC Functionality
- IIoT Features

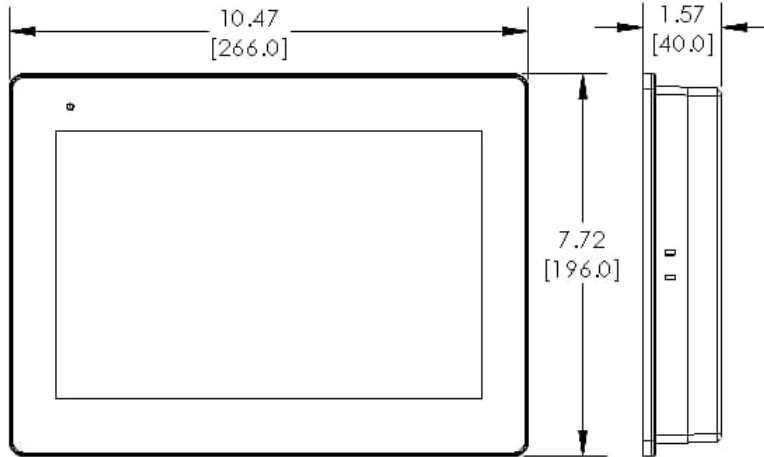


System	CPU	Quad-Core RISC
	Memory (RAM)	1 GB
	Memory (Flash)	4 GB
	RTC	Built-in
I/O Ports	Serial	1 x DE9P COM1: RS-232, COM3: RS-232** 1 x DE9S COM2: RS-485 2 or 4 wire, COM3: RS-485 2 wires
	LAN	1 x 10/100 Base-T RJ-45, 1 x GbE RJ-45
	CANbus	Yes
	USB Host	1 x USB 2.0
	USB Client	N/A
	Audio	Built-in Mono Speaker
	Video	N/A
	Wi-Fi*	M02 Wi-Fi Expansion Module (optional – see notes)
	HDMI®	N/A
	SD Card Slot	N/A
	Display	Display Type
Size (W x H)		8.58 x 5.38 inches [218 x 137 mm]
Max. Resolution		1280 x 800
Max. Color		16.7 M
Luminance (cd/m ²)		500
View Angle (H°/V°)		180/180
Contrast Ratio		800:1
Touch Screen	Backlight Lifetime (Hours)	50,000+
	Type	4-wire resistive touch
Electrical	Active Area Accuracy	Length (X) ±2%, width (Y) ±2%
	Input Voltage	24 ± 20% VDC
	Input Current	700mA @ 24 VDC
	Input Power	17 W
	Power Isolation	Built-in
Mechanical	Isolation Resistance	Exceed 50 MΩ at 500 VDC
	Enclosure	Plastic, Black
	PCB Coating	Yes
	Dimensions (W x H x D)	10.47 x 7.72 x 1.57 inches [266 x 196 x 40 mm]
	Panel Cutout (W x H)	10.04 x 7.28 inches [255 x 185 mm]
	Net Weight	Approx. 2.43 lbs. [1.1 kg]
Environmental	Mounting	Panel mounting, VESA 75 x 75 mm
	Operating Temperature	32° ~ 131°F [0° ~ 55°C]
	Storage Temperature	-4° ~ 140°F [-20° ~ 60°C]
	Relative Humidity	10% ~ 90% (non-condensing)
	Vibration Endurance	10 to 25 Hz (X, Y, Z direction, 2G, 30 minutes)
	Rating	UL Type 4X (indoor use only), NEMA 4, IP66 compliant front panel
Software	Certifications	cULus, CE, RoHS
		EBPro (v6.07.01 or later), EasyAccess 2.0 (Optional), CODESYS® (Optional) IIoT Ready, MQTT, Sparkplug B, VNC, CMTViewer, Webview
Notes	<p>* M02 Wi-Fi Expansion Module (sold separately – see website Product Page or contact Maple Systems for information)</p> <p>**Only Tx and Rx may be used for COM1 RS-232 while COM3 RS-232 is in use. MPI is not supported.</p> <p>Codesys® is a trademark of 3S-Smart Software Solutions GmbH Specifications subject to change without notice</p>	

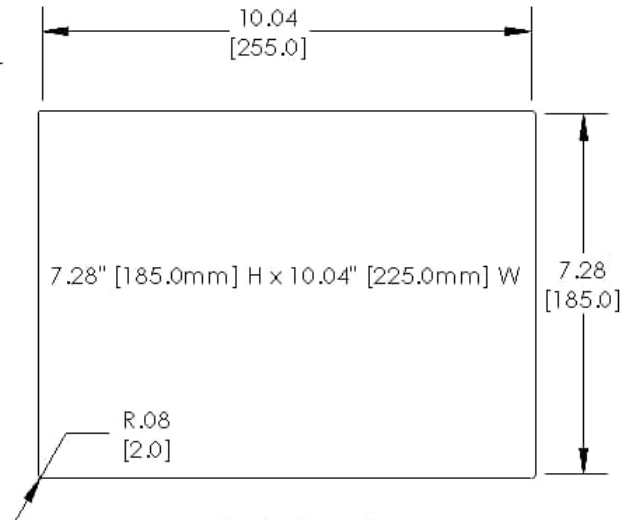


Top View

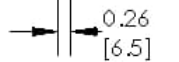
Dimensions are in Inches [mm]



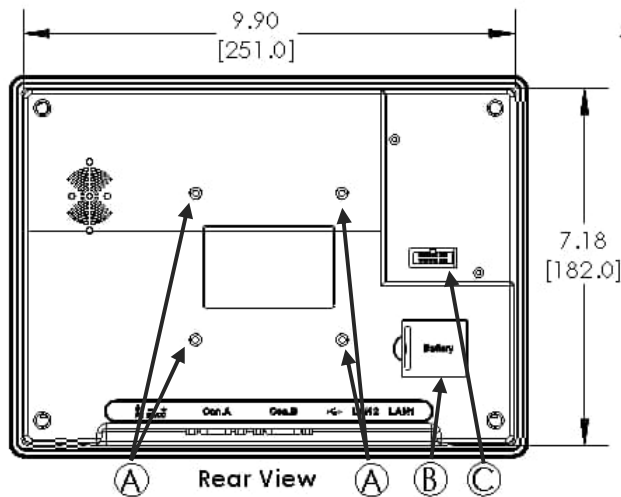
Front View



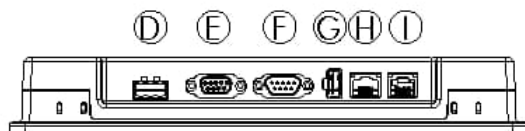
Cutout Dimensions



Side View



Rear View



Bottom View

- A VESA 75 mm Screw Holes
- B Battery Compartment (CR2032)
- C Expansion Module Connector
- D Power Connector
- E COM Port DE9S
- F COM Port DE9P
- G USB 2.0 Host Port
- H Ethernet Port
- I Gigabit Ethernet Port