

**PERFORMANCE**

Range ..... 0 - 2000 ppm  
 Sensitivity ..... 18 - 38 nA/ppm CO  
 Zero in air at 20 °C ..... <10 ppm CO  
 Resolution ..... 10 ppm CO  
 Linearity ..... linear across range  
 Response time, t90 ..... <35 s  
 Long-term output drift ..... <2% signal/month  
 Warranty ..... 2 years

**OPERATING CONDITIONS**

Temperature range ..... -20 to +50 °C  
 Operating humidity ..... 15 - 90% RH (non-condensing)  
 Pressure range ..... 90 - 110 kPa (nominal)  
 Operating circuit ..... see Electrochemical Toxic Sensor Application Note  
 Applied potential ..... 0 V  
 Storage life ..... 6 months in original packaging (0 - 25 °C)

**PHYSICAL CHARACTERISTICS**

Label colour ..... silver  
 Weight ..... 5 g approx.  
 Dimensions ..... see outline

This device is designed to be RoHS compliant.

**CROSS-SENSITIVITY DATA**

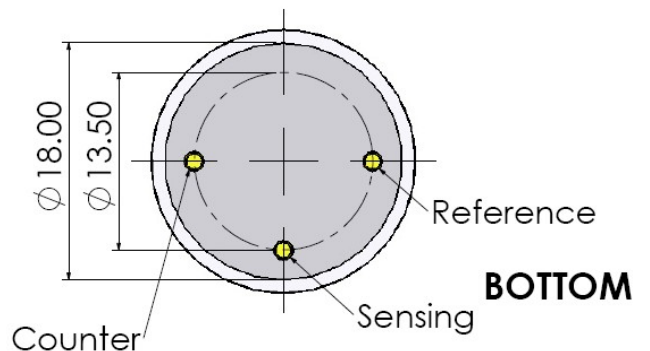
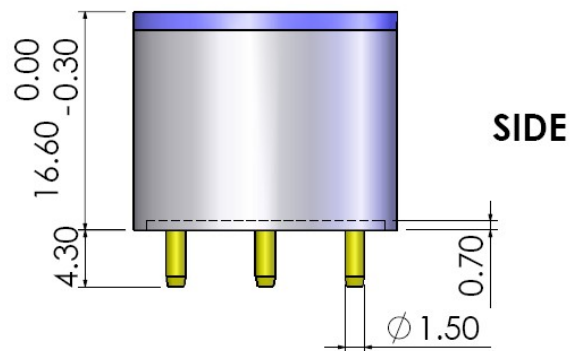
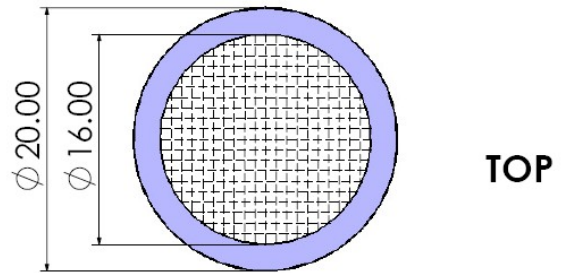
GAS	Concentration (ppm)	Sensor Response (As ppm CO)
Hydrogen Sulfide	15	0
Sulfur Dioxide	5	0
Chlorine	10	0
Nitric Oxide	35	-10 to 0
Nitrogen Dioxide	5	0
Hydrogen	100	<50
Ethene	100	<30
Ethanol	200	0

**Important Note**

Do not solder to the connector pins as this may damage the sensor and thereby invalidate the warranty.

Details on recommended connector pins can be found in the Frequently Asked Questions within the Gas Sensor section of the SGX website.

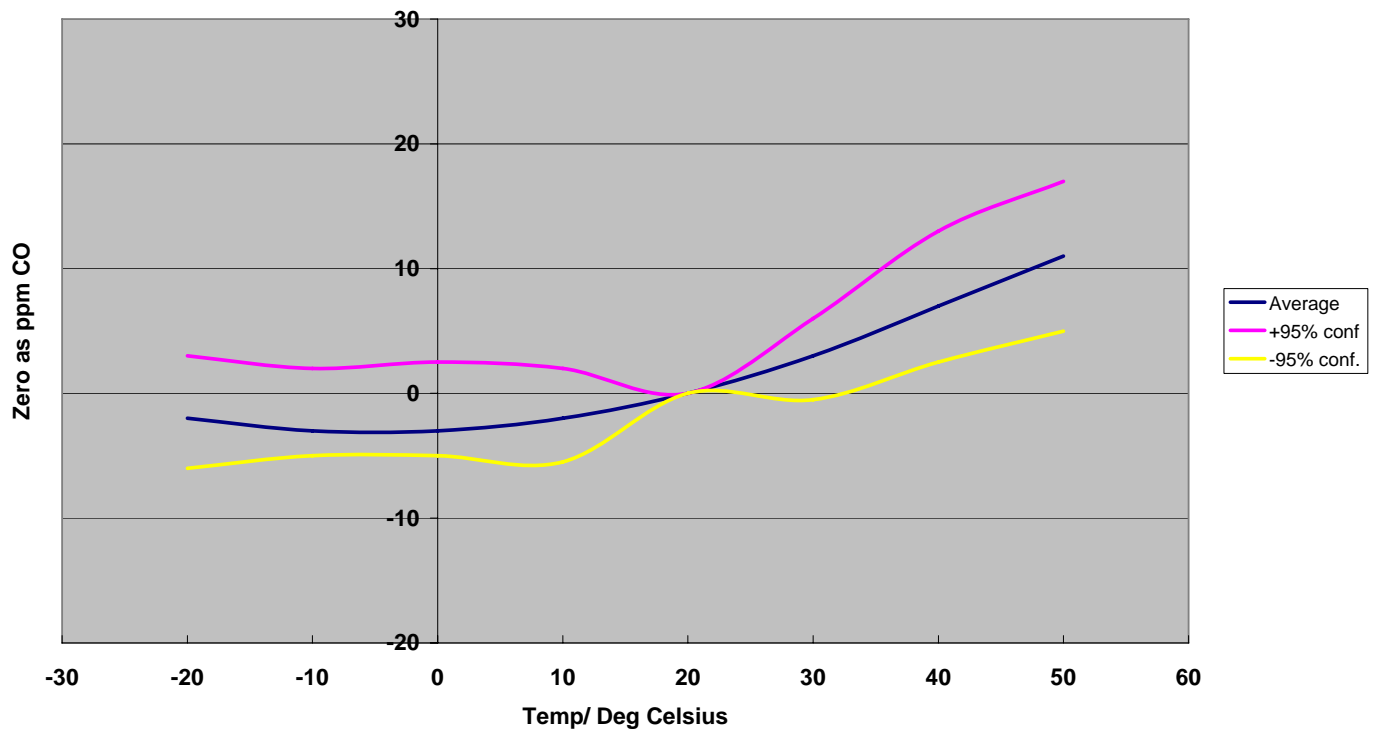
**OUTLINE**



All dimensions in mm.  
 All tolerances ±0.15mm unless otherwise stated.

# TEMPERATURE DEPENDENCE

## EC-4-2000-CO Graph of Zero vs Temperature



## EC-4-2000-CO Graph of Net Sensivity vs Temperature

