

	DATE	17 Sep, 15	SPECIFICATIONS	OLE WOLFF INTERNATIONAL	
	PAGE	1 / 7		WWW.OWOLFF.COM	
	<i>DK</i>	<i>PART NUMBER: OWPB-909018S-40-03</i>			

SPECIFICATIONS

Piezo Transducer

Part Number	OWPB-909018S-40-03
Noted	RoHS Compliant

		DRAWN	CHECKED	APPROVED
CUSTOMER	SIGN			
OLE WOLFF	SIGN			

REVISION NOTES:

Date	Rev. No.	Description of Revision

OLE WOLFF ELEKTRONIK A/S Roedengvej 25 DK-4180 Soroe Denmark TEL: +45 57833830 FAX: +45 57820019	OLEWOLFF ELECTRONICS INC. 4340 Cross Street Downers Grove, Chicago IL 60515, USA TEL: +847 962 4169 FAX: +630 852 2520	OLEWOLFF ELEKTRONIK GmbH Schulstrasse 15A. DE-25451 Quickborn. Germany TEL: +49 (0) 4106 765900 FAX: +49 (0) 4106 627297	OLEWOLFF ELECTRONICS 3 Bedford Street, Woburn, Bedfordshire MK17 9QB, ENGLAND TEL: +44 (0) 1525 290755 FAX: +44 (0) 1525 290855	OLEWOLFF ELEKTRONIK Yliopistonkatu 26A, P.O. Box 257, FIN-40101 Jyvaskyla FINLAND TEL: +358 14 338 3050 FAX: +358 14 338 3059	OLE WOLFF (ASIA) LTD. Unit B, 19/F., Bold Win Ind. Bldg., No. 16-18 Wah Sing St., Kwai Chung, N.T., H.K. TEL: +852 2424 3274 FAX: +852 2424 2219	OLE WOLFF LTD. Unit 7A08, Block 2, Elite Building, Nanshan Avenue, Nanshan District, Shenzhen, PRC. TEL: +86 755 82612542 TEL: +86 755 26406156
--	--	--	---	---	--	---

	DATE	17 Sep, 15	SPECIFICATIONS	OLE WOLFF INTERNATIONAL
	PAGE	2 / 7		WWW.OWOLFF.COM
	<i>DK</i>	<i>PART NUMBER: OWPB-909018S-40-03</i>		

1. SCOPE

THIS SPECIFICATION IS APPLIED TO OLE WOLFF PIEZO TRANSDUCER UNIT OF MODEL: OWPB-909018S-40-03

2. GENERAL REQUIREMENTS

OPERATING TEMPERATURE RANGE: -40°C ~ +85°C

STORAGE TEMPERATUR RANGE: -40°C ~ +85°C

3. MECHANICAL LAYOUT & DIMENSIONS

DIMENSIONS: SHOWN IN FIGURE 4.

WEIGHT: 0.25g

4. ELECTRICAL CHARACTERISTICS

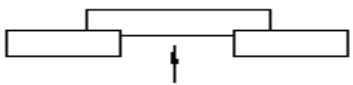
NO.	ITEM	SPECIFICATION
1	OPERATING VOLTAGE	3Vp-p
2	RESONANT FREQUENCY	4000±500Hz
3	MAX INPUT VOLTAGE	25Vp-p
4	CAPACITANCE AT 120HZ	12000pF±30%
5	* SOUND OUTPUT AT 10CM	≥65dB
6	* RATED CURRENT	≤3mA
7	HOUSING MATERIAL	LCP
8	ROHS	Yes

*Applying rated voltage (Resonant frequency, Square wave)

OLE WOLFF ELEKTRONIK A/S Roedengvej 25 DK-4180 Soroe Denmark TEL: +45 57833830 FAX: +45 57820019	OLEWOLFF ELECTRONICS INC. 4340 Cross Street Downers Grove, Chicago IL 60515, USA TEL: +847 962 4169 FAX: +630 852 2520	OLEWOLFF ELEKTRONIK GmbH Schulstrasse 15A. DE-25451 Quickborn, Germany TEL: +49 (0) 4106 765900 FAX: +49 (0) 4106 627297	OLEWOLFF ELECTRONICS 3 Bedford Street, Woburn, Bedfordshire MK17 9QB, ENGLAND TEL: +44 (0) 1525 290755 FAX: +44 (0) 1525 290855	OLEWOLFF ELEKTRONIK Yliopistonkatu 26A, P.O. Box 257, FIN-40101 Jyväskylä FINLAND TEL: +358 14 338 3050 FAX: +358 14 338 3059	OLE WOLFF (ASIA) LTD. Unit B, 19/F., Bold Win Ind. Bldg., No. 16-18 Wah Sing St., Kwai Chung, N.T., H.K. TEL: +852 2424 3274 FAX: +852 2424 2219	OLE WOLFF LTD. Unit 7A08, Block 2, Elite Building, Nanshan Avenue, Nanshan District, Shenzhen, PRC. TEL: +86 755 82612542 TEL: +86 755 26406156
--	--	--	---	---	--	---

	DATE	17 Sep, 15	SPECIFICATIONS	OLE WOLFF INTERNATIONAL	
	PAGE	3 / 7		WWW.OWOLFF.COM	
	<i>DK</i>	<i>PART NUMBER: OWPB-909018S-40-03</i>			

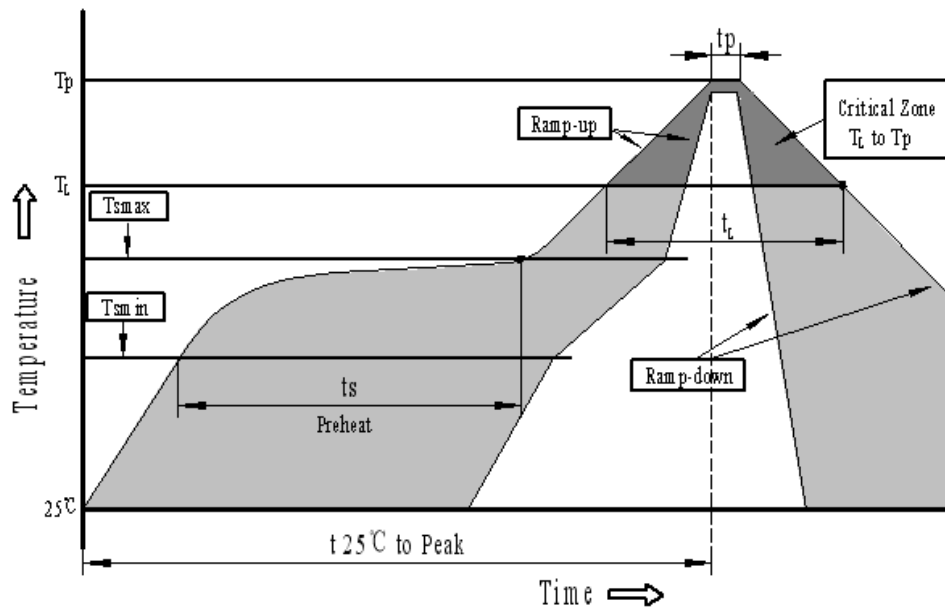
5. RELIABILITY TEST

- After Test All specifications must be satisfied after the test.					
5.1 High temperature Storage Life Test Temperature: +85°C Duration: 120HRS					
5.2 Low temperature Storage Life Test Temperature: -30°C Duration: 120HRS					
5.3 Humidity Test Temperature: 40±2°C Humidity: 90~95%RH Duration: 120HRS					
5.4 Temperature cycling Test Temperature: -30±2°C +20±5°C +85±2°C +20±5°C Duration: 30min 15min 30min 15min Cycle: 5 cycles					
5.5 Vibration Test Input power: 10~55Hz then 55~10Hz, Amplitude: 1.0mm, Duration: 2 hours per plane in each three mutually perpendicular					
5.6 Shock Test Sounder shall be measured after being applied shock (980m/s ³) for each three mutually perpendicular directions to each of 3 times by half sine wave.					
5.7 Drop Test Dropped naturally from 700mm height onto the surface of 10mm thick wooden board. 2 directions-upper and side of the part are to be applied.					
5.8 Lead pull The part shall be pushed with a force of 9.8N for 10±1 seconds behind the part.  After the test part shall meet specifications without any degradation in appearance and performance.					
5.9 Recommended temp. Profile for Reflow Oven Shown in Fig.1					
Warranty: For a period of one year from date of manufacture under normal operations.					

OLE WOLFF ELEKTRONIK A/S Roedengvej 25 DK-4180 Soroe Denmark TEL: +45 57833830 FAX: +45 57820019	OLEWOLFF ELECTRONICS INC. 4340 Cross Street Downers Grove, Chicago IL 60515, USA TEL: +847 962 4169 FAX: +630 852 2520	OLEWOLFF ELEKTRONIK GmbH Schulstrasse 15A. DE-25451 Quickborn, Germany TEL: +49 (0) 4106 765900 FAX: +49 (0) 4106 627297	OLEWOLFF ELECTRONICS 3 Bedford Street, Woburn, Bedfordshire MK17 9QB, ENGLAND TEL: +44 (0) 1525 290755 FAX: +44 (0) 1525 290855	OLEWOLFF ELEKTRONIK Yliopistonkatu 26A, P.O. Box 257, FIN-40101 Jyväskylä FINLAND TEL: +358 14 338 3050 FAX: +358 14 338 3059	OLE WOLFF (ASIA) LTD. Unit B, 19/F., Bold Win Ind. Bldg., No. 16-18 Wah Sing St., Kwai Chung, N.T., H.K. TEL: +852 2424 3274 FAX: +852 2424 2219	OLE WOLFF LTD. Unit 7A08, Block 2, Elite Building, Nanshan Avenue, Nanshan District, Shenzhen, PRC. TEL: +86 755 82612542 TEL: +86 755 26406156
--	--	--	---	---	--	---

	DATE	17 Sep, 15	SPECIFICATIONS	OLE WOLFF INTERNATIONAL
	PAGE	4 / 7		WWW.OWOLFF.COM
	<i>DK</i>	<i>PART NUMBER: OWPB-909018S-40-03</i>		

6. RECOMMENDED TEMP. PROFILE FOR REFLOW OVEN (Figure 1)

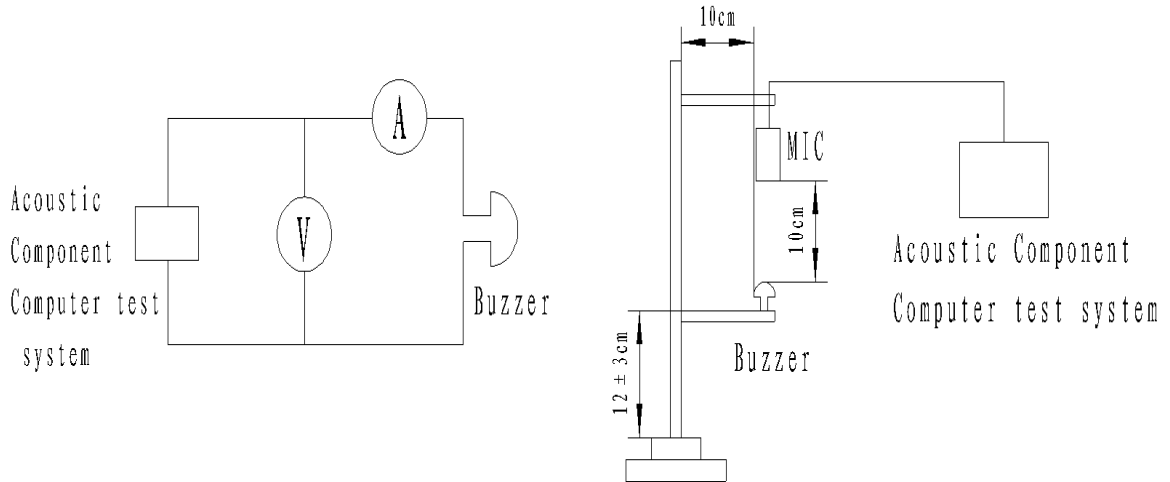


Profile Feature	Pb-Free Assembly
Average ramp-up rate(T_L to T_p)	3°C/second max.
Preheat	
-Temperature Min.($T_{s_{min}}$)	150°C
-Temperature Min.($T_{s_{max}}$)	200°C
-Temperature Min.(ts)	60~180 seconds
$T_{s_{max}}$ to T_L	
-Ramp-up Rate	3°C/second max.
Time maintained above:	
- Temperature(T_L)	217°C
-Time(T_L)	60~150 seconds
Peak temperature(T_p)	245°C+0/-5°C
Time within 5°C of actual Peak temperature (tp)	6 seconds max.
Ramp-down Rate	6°C/second max.
Time 25°C to Peak Temperature	8 minutes max.

OLE WOLFF ELEKTRONIK A/S Roedengvej 25 DK-4180 Soroe Denmark TEL: +45 57833830 FAX: +45 57820019	OLEWOLFF ELECTRONICS INC. 4340 Cross Street Downers Grove, Chicago IL 60515, USA TEL: +847 962 4169 FAX: +630 852 2520	OLEWOLFF ELEKTRONIK GmbH Schulstrasse 15A. DE-25451 Quickborn, Germany TEL: +49 (0) 4106 765900 FAX: +49 (0) 4106 627297	OLEWOLFF ELEKTRONICS 3 Bedford Street, Woburn, Bedfordshire MK17 9QB, ENGLAND TEL: +44 (0) 1525 290755 FAX: +44 (0) 1525 290855	OLEWOLFF ELEKTRONIK Yliopistonkatu 26A, P.O. Box 257, FIN-40101 Jyväskylä FINLAND TEL: +358 14 338 3050 FAX: +358 14 338 3059	OLE WOLFF (ASIA) LTD. Unit B, 19/F., Bold Win Ind. Bldg., No. 16-18 Wah Sing St., Kwai Chung, N.T., H.K. TEL: +852 2424 3274 FAX: +852 2424 2219	OLE WOLFF LTD. Unit 7A08, Block 2, Elite Building, Nanshan Avenue, Nanshan District, Shenzhen, PRC. TEL: +86 755 82612542 TEL: +86 755 26406156
--	--	--	---	---	--	---

	DATE	17 Sep, 15	SPECIFICATIONS	OLE WOLFF INTERNATIONAL
	PAGE	5 / 7		WWW.OWOLFF.COM
	DK	PART NUMBER: OWPB-909018S-40-03		

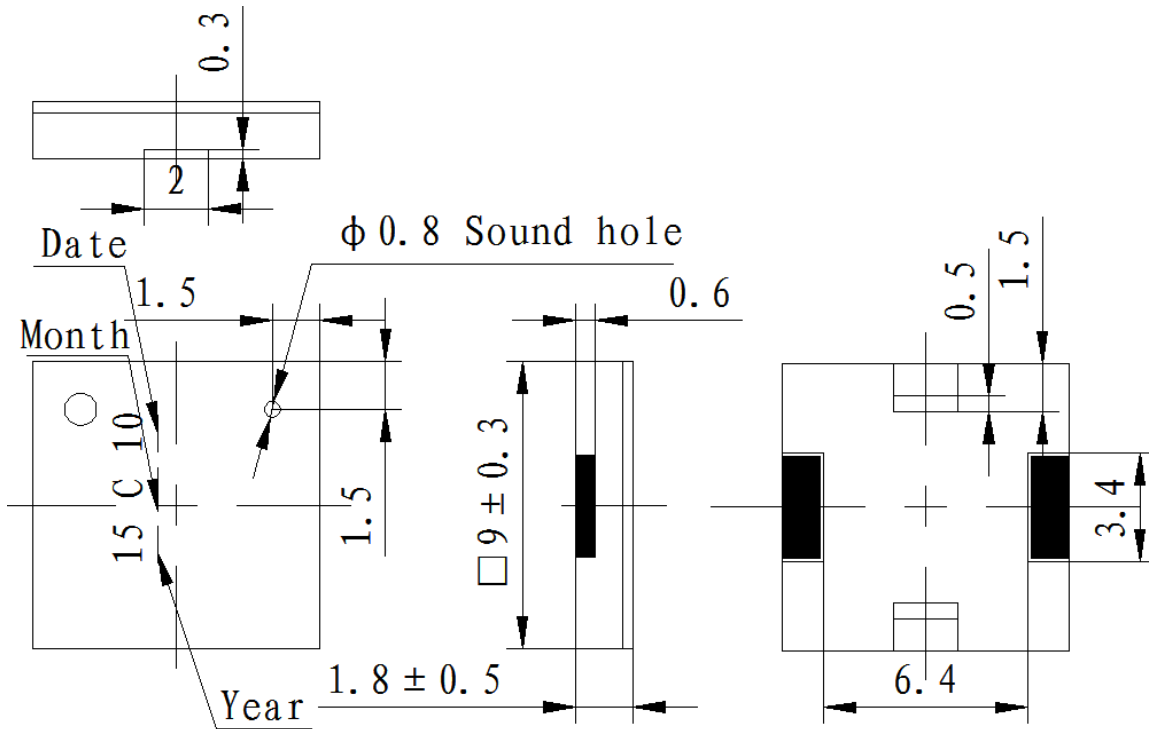
7. TEST METHOD (Figure 2)



8. DIMENSIONS (Figure 3)

Unit: mm

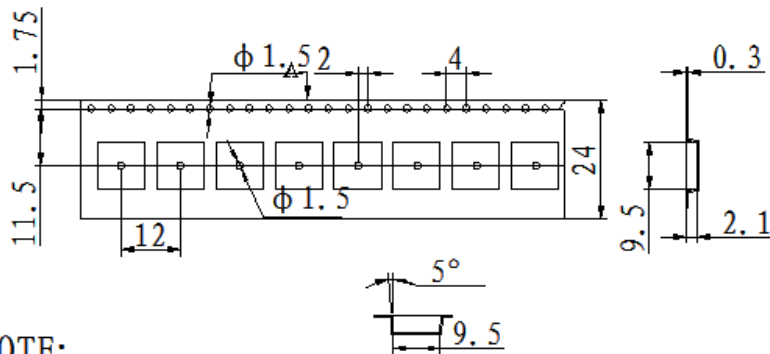
Tolerance: ± 0.5 mm Except Specified



OLE WOLFF ELEKTRONIK A/S Røedengvej 25 DK-4180 Sorøe Denmark TEL: +45 57833830 FAX: +45 57820019	OLEWOLFF ELECTRONICS INC. 4340 Cross Street Downers Grove, Chicago IL 60515, USA TEL: +847 962 4169 FAX: +630 852 2520	OLEWOLFF ELEKTRONIK GmbH Schulstrasse 15A. DE-25451 Quickborn, Germany TEL: +49 (0) 4106 765900 FAX: +49 (0) 4106 627297	OLEWOLFF ELECTRONICS 3 Bedford Street, Woburn, Bedfordshire MK17 9QB, ENGLAND TEL: +44 (0) 1525 290755 FAX: +44 (0) 1525 290855	OLEWOLFF ELEKTRONIK Yliopistonkatu 26A, P.O. Box 257, FIN-40101 Jyväskylä FINLAND TEL: +358 14 338 3050 FAX: +358 14 338 3059	OLE WOLFF (ASIA) LTD. Unit B, 19/F., Bold Win Ind. Bldg., No. 16-18 Wah Sing St., Kwai Chung, N.T., H.K. TEL: +852 2424 3274 FAX: +852 2424 2219	OLE WOLFF LTD. Unit 7A08, Block 2, Elite Building, Nanshan Avenue, Nanshan District, Shenzhen, PRC. TEL: +86 755 82612542 TEL: +86 755 26406156
--	--	--	---	---	--	---

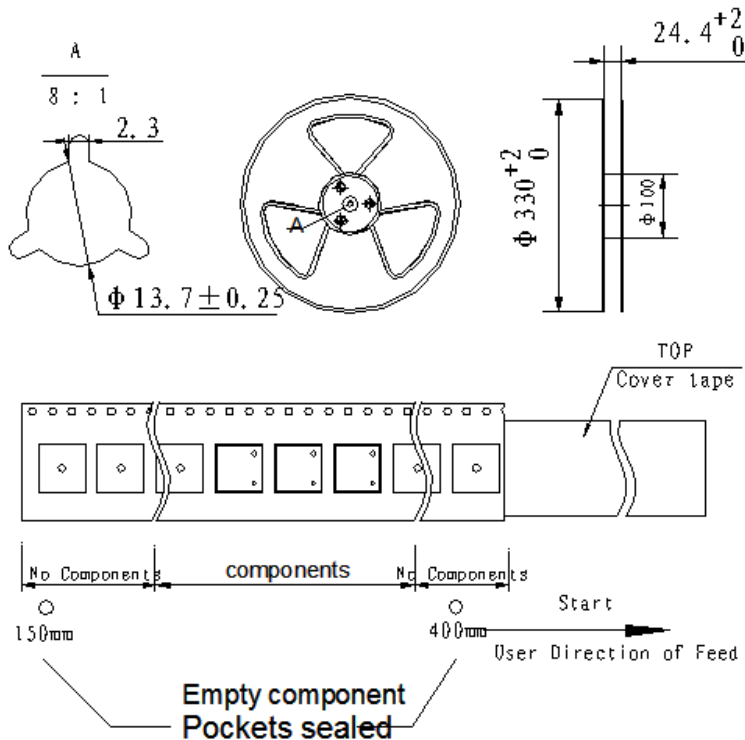
	DATE	17 Sep, 15	SPECIFICATIONS	OLE WOLFF INTERNATIONAL
	PAGE	6 / 7		WWW.OWOLFF.COM
	DK	PART NUMBER: OWPB-909018S-40-03		

9. PACKING (Figure 4 & 5)



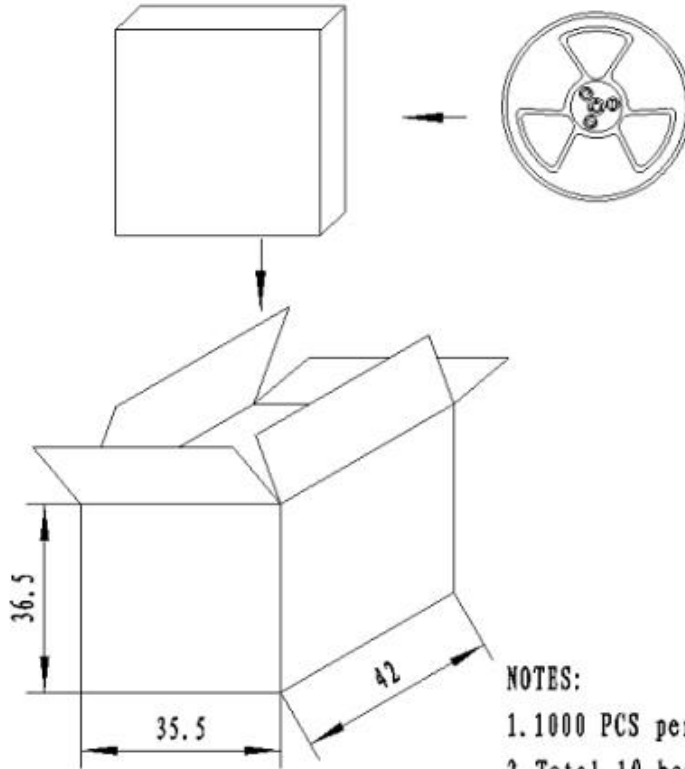
NOTE:

1. 10 sprocket hole pitch cumulative tolerance $\pm 0.20\text{mm}$.
2. All dimensions meet EIA-481-D requirements.
3. Thickness: $0.3 \pm 0.1\text{mm}$.
4. Component loaded per 13" reel: 2000 pcs.



OLE WOLFF ELEKTRONIK A/S Roedengvej 25 DK-4180 Soroe Denmark TEL: +45 57833830 FAX: +45 57820019	OLEWOLFF ELECTRONICS INC. 4340 Cross Street Downers Grove, Chicago IL 60515, USA TEL: +847 962 4169 FAX: +630 852 2520	OLEWOLFF ELEKTRONIK GmbH Schulstrasse 15A. DE-25451 Quickborn, Germany TEL: +49 (0) 4106 765900 FAX: +49 (0) 4106 627297	OLEWOLFF ELEKTRONIK 3 Bedford Street, Woburn, Bedfordshire MK17 9QB, ENGLAND TEL: +44 (0) 1525 290755 FAX: +44 (0) 1525 290855	OLEWOLFF ELEKTRONIK Yliopistonkatu 26A, P.O. Box 257, FIN-40101 Jyväskylä FINLAND TEL: +358 14 338 3050 FAX: +358 14 338 3059	OLE WOLFF (ASIA) LTD. Unit B, 19/F., Bold Win Ind. Bldg., No. 16-18 Wah Sing St., Kwai Chung, N.T., H.K. TEL: +852 2424 3274 FAX: +852 2424 2219	OLE WOLFF LTD. Unit 7A08, Block 2, Elite Building, Nanshan Avenue, Nanshan District, Shenzhen, PRC. TEL: +86 755 82612542 TEL: +86 755 26406156
--	--	--	--	---	--	---

	DATE	17 Sep, 15	SPECIFICATIONS	OLE WOLFF INTERNATIONAL
	PAGE	7 / 7		WWW.OWOLFF.COM
	DK	PART NUMBER: OWPB-909018S-40-03		



NOTES:

1. 1000 PCS per box
2. Total 10 boxes per carton
3. Total 10000 PCS carton
4. volume: 42 × 35.5 × 36.5cm

OLE WOLFF ELEKTRONIK A/S Røedengvej 25 DK-4180 Sorøe Denmark TEL: +45 57833830 FAX: +45 57820019	OLEWOLFF ELECTRONICS INC. 4340 Cross Street Downers Grove, Chicago IL 60515, USA TEL: +847 962 4169 FAX: +630 852 2520	OLEWOLFF ELEKTRONIK GmbH Schulstrasse 15A. DE-25451 Quickborn, Germany TEL: +49 (0) 4106 765900 FAX: +49 (0) 4106 627297	OLEWOLFF ELECTRONICS 3 Bedford Street, Woburn, Bedfordshire MK17 9QB, ENGLAND TEL: +44 (0) 1525 290755 FAX: +44 (0) 1525 290855	OLEWOLFF ELEKTRONIK Yliopistonkatu 26A, P.O. Box 257, FIN-40101 Jyväskylä FINLAND TEL: +358 14 338 3050 FAX: +358 14 338 3059	OLE WOLFF (ASIA) LTD. Unit B, 19/F., Bold Win Ind. Bldg., No. 16-18 Wah Sing St., Kwai Chung, N.T., H.K. TEL: +852 2424 3274 FAX: +852 2424 2219	OLE WOLFF LTD. Unit 7A08, Block 2, Elite Building, Nanshan Avenue, Nanshan District, Shenzhen, PRC. TEL: +86 755 82612542 TEL: +86 755 26406156
--	--	--	---	---	--	---