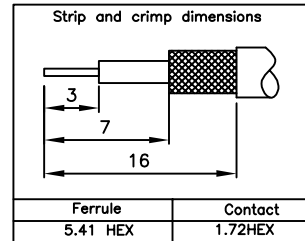
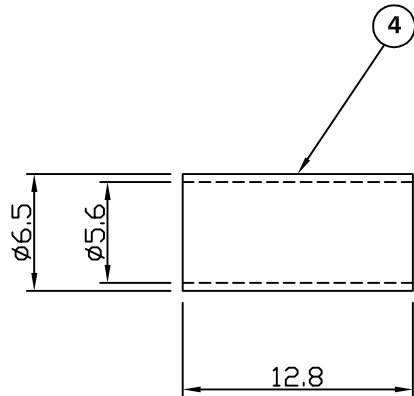
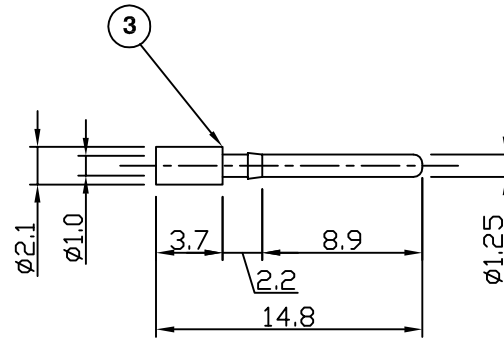
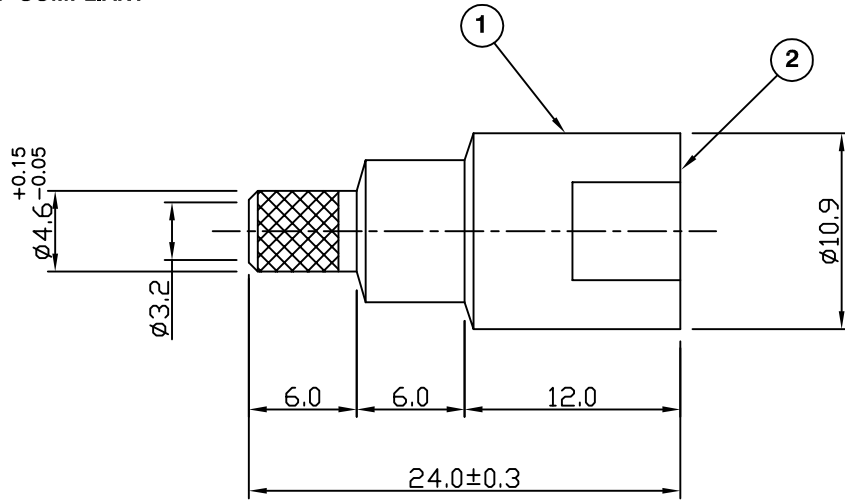


RoHS COMPLIANT



Electrical Characteristics

Nominal Impedance:	50 ohms
Frequency Range:	DC to 2 GHz
VSWR:	1.3:1 maximum
Insertion Loss:	0.1 dB at 1 GHz
Operating Voltage (rms):	500 V maximum at sea level
Dielectric Withstand Voltage (rms):	1000 V maximum at sea level
Contact Resistance:	10 milliohms maximum
Insulation Resistance:	5000 megohms minimum

Mechanical Characteristics

Mating Cycles:	300 cycles minimum
Interface Dimensions:	Conform to MIL-C-39012

Environmental Characteristics

Temperature Range:	-55 °C to +85 °C
--------------------	------------------

PART	DESCRIPTION
1	Body Brass, nickel plated
2	Dielectric POM
3	Contact Brass, gold plated
4	Ferrule Brass, nickel plated

CAD Issue	SN	2	14 Feb 02
First Issue	PDC	1	14 March 01
DESCRIPTION OF REVISION	APPVD	ISS	DATE

For stripping and assembly instructions see Drawing Number: VAIR1101



Cinch Connectivity Solutions
7-13 Russel Way,
Widford Industrial Estate,
Chelmsford,
Essex, CM1 3AA, UK
Tel: +44 (0) 1245 359515
Fax: +44 (0) 1245 358938

SCALE: Not To Scale

DIMENSIONS: mm

TOLERANCES:
± 0.2mm unless
otherwise stated

DRAWN BY:	S Nash
CHECKED BY:	S Nash
APPROVED BY:	P D Couzens
DATE:	17 May 02

TITLE:
FME Crimp Plug for RG58

PART NUMBER:
VR10-2051

PAGE: 1 of 1