

■ Features

- Single output to 6W
- 100-240Vac Universal Input
- Safety standard: UL/cUL60950, EN60950, LVD, & CE
- Frequency: 47-63Hz
- Ripple: 100mVp-p
- OVP, SCP, and Overload protection
- Efficiency Level: VI
- Available Plug types: US, EU, AU, UK, KC, CN plug
- Dimension: 59x23.5x50.2mm(exclude plug)



\*Product images are for illustrative purposes only and may vary from actual design.

■ Application

- Consumer electronics, Telecom and office equipment
- Industrial equipment

■ Model List

Custom Designs Available!

Model	Output Voltage	Output Current	Power	Certifications
WM06P6-030I-X-XX	3V	2A	6W	UL, cUL, LVD, & CE
WM06P6-050I-X-XX	5V	1.2A	6W	UL, cUL, LVD, & CE
WM06P6-060I-X-XX	6V	1A	6W	UL, cUL, LVD, & CE
WM06P6-070I-X-XX	7V	0.85A	6W	UL, cUL, LVD, & CE
WM06P6-090I-X-XX	9V	0.6A	6W	UL, cUL, LVD, & CE
WM06P6-120I-X-XX	12V	0.5A	6W	UL, cUL, LVD, & CE
WM06P6-150I-X-XX	15V	0.4A	6W	UL, cUL, LVD, & CE
WM06P6-180I-X-XX	18V	0.33A	6W	UL, cUL, LVD, & CE
WM06P6-240I-X-XX	24V	0.25A	6W	UL, cUL, LVD, & CE

■ Technical Data

Rated Voltage (1)	(3-24V) Available in 0.1V increments
Rated Power	6W
Ripple & Noise (2)	100mVp-p
Current Range	1.2A
Total Regulation	+/- 5%
Overshoot/Undershoot	10%
Turn On Delay (Max.)	0.5-2s
Hold-up Time	10ms @115Vac/60Hz max. load & 20ms @230Vac/50Hz
Rated Voltage	100 ~ 240Vac (90-264Vac Operational)
Frequency Range	47Hz ~ 63Hz

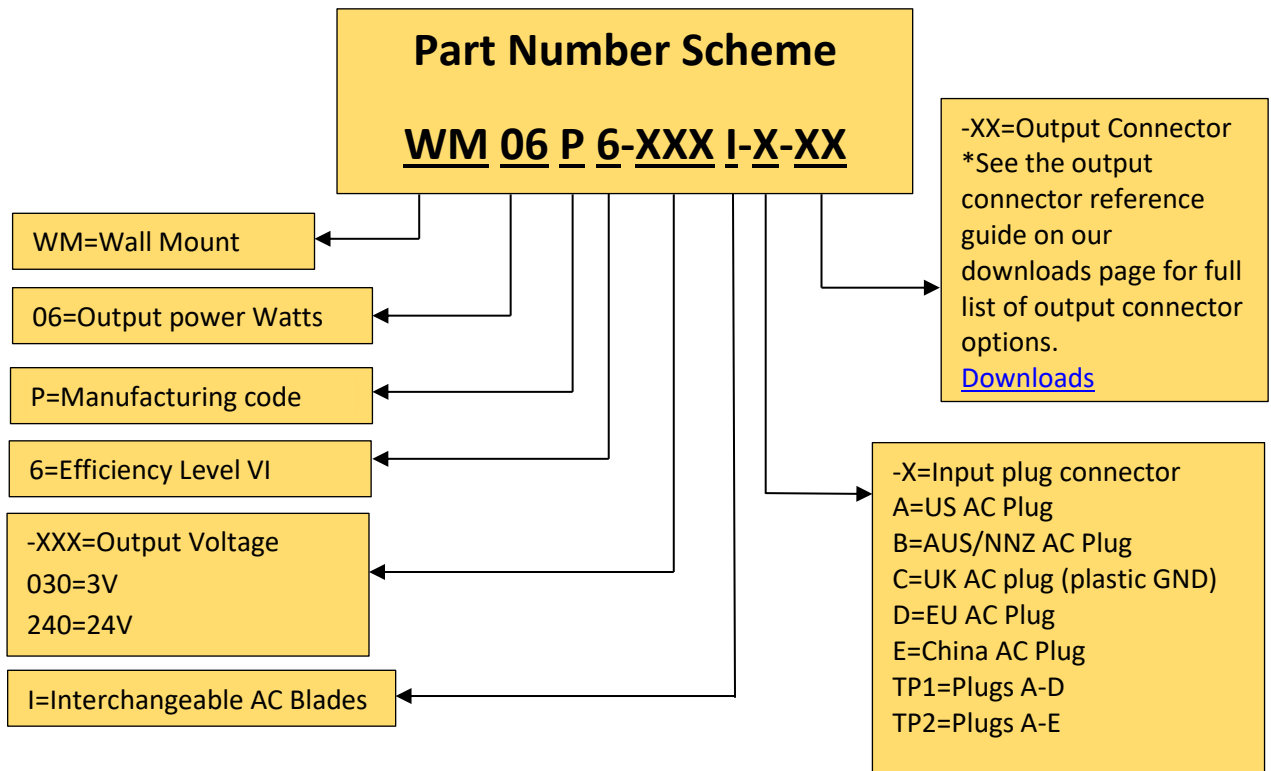
1. Output voltage tolerance +/-5%
2. Max., Measuring is done by 20MHz bandwidth oscilloscope and terminated each output with a 22uF aluminum electrolytic capacitor and a 0.1uF ceramic capacitor. Full load, 25C ambient temperature at 115Vac and 230 Vac.

■ **Technical Data(cont.)**

Efficiency	~86%
Inrush Current	20A @230Vac input 25°C Cold Start
AC Current (Typ.)	0.2A / 100-240Vac
Short Circuit	Hiccup mode, no damage shall occur and the power supply shall restart when the fault condition is removed
Over Voltage	Latch mode, recycle AC to restart power supply
Overload	Hiccup mode, at 150% (Max.) rated load and the power supply shall restart when the fault condition is removed
Temperature Range Operational	0°C ~ 40°C
Temperature Range Storage	- 20°C ~ +70°C
Humidity Operational	20% ~90% R.H
Humidity Storage	20% ~90% R.H
MTBF	>50,000 hours (Measured at 110Vac input, 100% Load and 25°C ambient temperature)
Burn-in	4 Hours (Min.) at 40C (+/-5%) at full load with cycling
Dimension (L*W*H)	58.5×23.5×50.2mm (+/-0.5mm) – 2.3×0.92×1.97 inch (US Design)
Weight	125g
RoHS	Complies with EU Directive 2011/65/EU
WEEE	Complies with EU Directive 2002/96/EC
EISA 2007	Complies with requirements for external power supplies.
EU	Complies with EU Code of Conduct on external power supplies

■ **Safety and EMC**

Safety Standards	UL/cUL60950, EN60950, LVD, & CE
No load Power Dissipation	< 0.1W
Insulation Resistance	Input to output: Min. 50M OHM at 500 VDC.
Dielectric Strength	Primary to Secondary: DC 4242V , 3.5mA Max , for 3 seconds
Conducted & Radiated EMI	EN 55022 Class B, CISPR22 Class B and FCC part 15 Class B
EMS	EN 61000-4-2, EN 61000-4-3, EN 61000-4-4, EN 61000-4-5, EN 61000-4-6, EN 61000-4-8, EN 61000-4-11



**\*Some Safety Agency Approvals may differ from what is shown. Contact Autec Sales!**

**\*Product images are for illustrative purposes only and may vary from actual design.**

**\*Specifications are subject to change without notice. Autec is not responsible for issues arising from errors or omissions.**