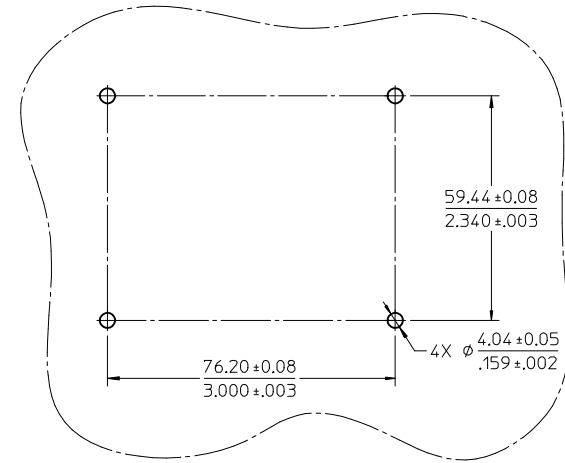
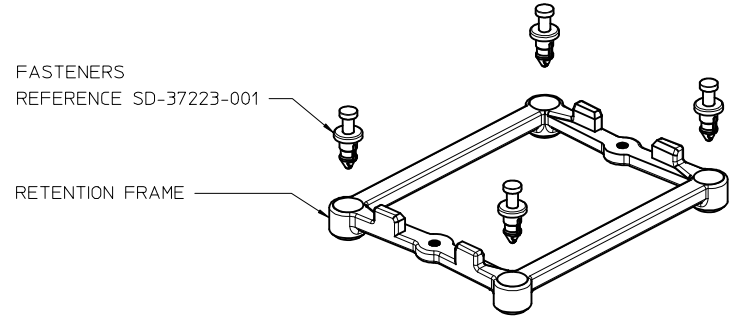
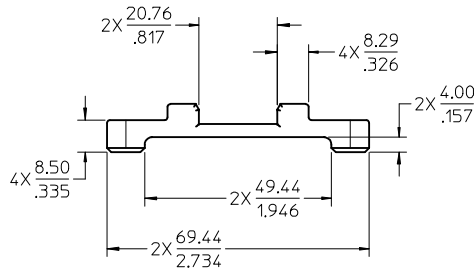
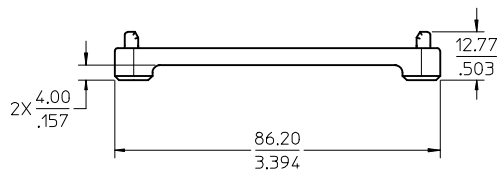


TOP VIEW SHOWN WITHOUT FASTENERS FOR CLARITY



MOTHERBOARD RETENTION HOLE PATTERN

NOTES:

- ALL DIMENSIONS ON THIS DOCUMENT ARE FOR REFERENCE ONLY UNLESS OTHERWISE SPECIFIED.
- MATERIAL: ZINK ALLOY
- RETENTION FRAME USED WITH RADIAL FIN HEAT SINK 37224**** AND 37194****. REFERENCE DRAWING SD-37224-001, SD-37222-001, SD-37194-001, SD-37195-001, AND AS-37222-001.
- FRAME MOUNTS TO MOTHERBOARD WITH ITW FASTEX TUFLOKS™ REFERENCE INTEL RECOMMENDED HOLE PATTERN.
- FASTENERS SHIPPED IN POLYBAGS. 4 FASTENERS PER BAG.
- PARTS TO BE PACKAGED PER PK-37210-001.

CHART:	
MOLEX P/N:	MOUNTING HARDWARE:
372100001	NONE
372101001	TUFLOKS (QTY: 4)

EC NO: USS2002-0008 DRWN:EMERCK 2001/11/13 CHKD:DPRIE 2001/11/13 APPR:MOSULLIV 2001/11/13	QUALITY SYMBOLS	GENERAL TOLERANCES (UNLESS SPECIFIED) 4 PLACES ± .005 3 PLACES ± .004 2 PLACES ± .003 1 PLACE ± .002 ANGULAR ± .005° DRAFT WHERE APPLICABLE MUST REMAIN WITHIN DIMENSIONS	SCALE 1:1	DESIGN UNITS INCH	THIRD ANGLE PROJECTION	REVISE ON CAD ONLY	
	DESCRIPTION RETENTION FRAME FOR PENTIUM IV NORTHWOOD CPU		mm	INCH	DIMENSION STYLE MM/IN		
			APPROVED BY	DATE	DRAWN BY	DATE	
			DPRIE	08/15/01	EMERCK	08/15/01	
A	REV		APPROVED BY	DATE	MATERIAL NO.	DOCUMENT NO.	SHEET NO.
			DPRIE	08/15/01	SEE CHART	SD-37210-001	1 OF 1