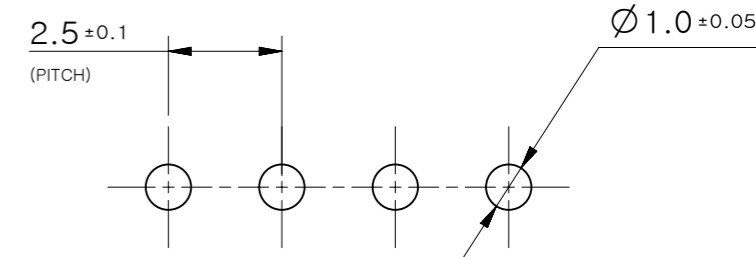


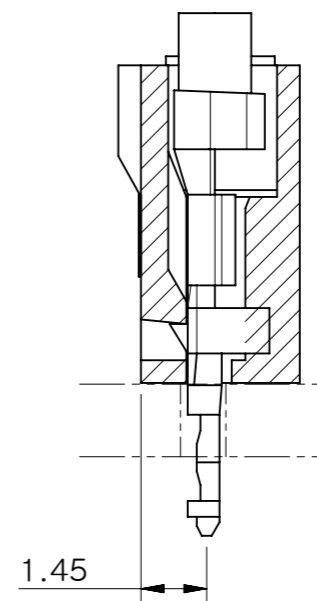
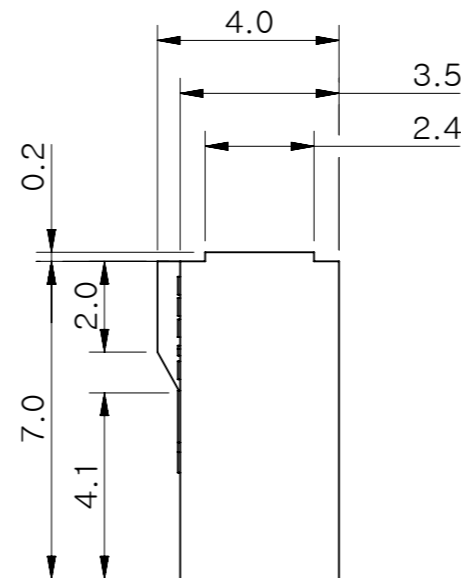
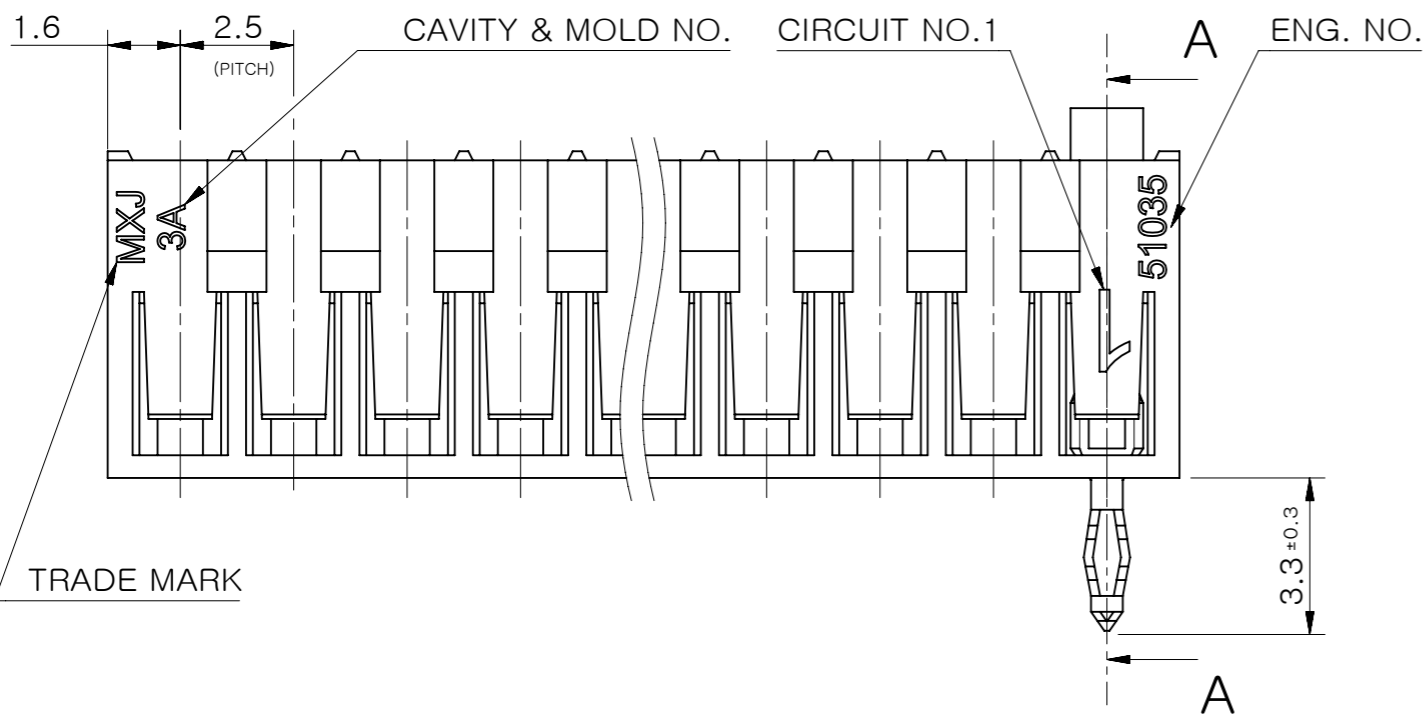
NOTES.

1. APPLICABLE TERMINAL : 500978*00
2. TRADE MARK IS FORMED BY MXJ AND BY 1-2 DIGIT NUMBER (TO CAVITY NO.) AND BY 1 LETTER OD ALPHABET (TO MOLD NO.)
3. ELV AND RoHS COMPLIANT

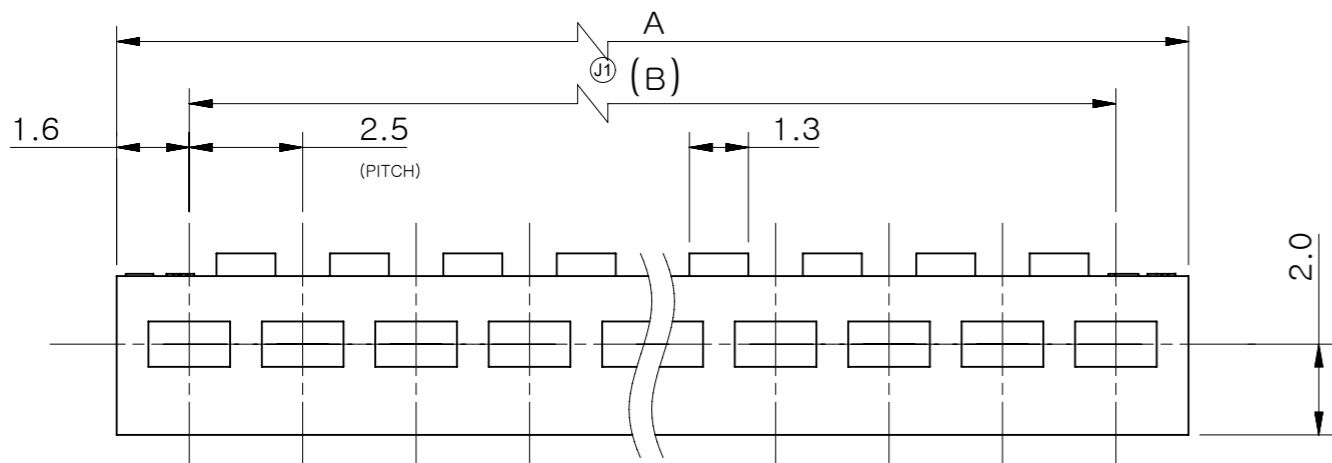
(NON-ACCUMULATIVE)



RECOMMENDED PC BOARD HOLE DIMENSION
(THICKNESS : 1.6mm)



SECTION A-A



35.0	38.2	510351500	15
32.5	35.7	510351400	14
30.0	33.2	510351300	13
27.5	30.7	510351200	12
25.0	28.2	510351100	11
22.5	25.7	510351000	10
20.0	23.2	510350900	9
17.5	20.7	510350800	8
15.0	18.2	510350700	7
12.5	15.7	510350600	6
10.0	13.2	510350500	5
7.5	10.7	510350400	4
5.0	8.2	510350300	3
2.5	5.7	510350200	2
B	A	ORDER NO.	CKT.

GENERAL TOLERANCES (UNLESS SPECIFIED)	
10 UNDER	±0.2
10 OVER 30 UNDER	±0.25
30 OVER	±0.3
DRAFT WHERE APPLICABLE MUST REMAIN WITHIN DEMENSIONS	

MATERIAL	POLYAMIDE, UL94V-0
WIRE RANGE	AWG #24 ~ 20 KV 0.2 ~ 0.5 AVS 0.3 ~ 0.5
INS. RANGE	Ø1.3 ~ Ø2.1

FUNCTIONAL SYMBOLS	THIS DRAWING CONTAINS INFORMATION THAT IS PROPRIETARY TO MOLEX ELECTRONIC TECHNOLOGIES, LLC AND SHOULD NOT BE USED WITHOUT WRITTEN PERMISSION	
▽/A = 0	DIMENSION UNITS: mm	SCALE: 6:1
▽/E = 0	GENERAL TOLERANCES (UNLESS SPECIFIED)	
▽/F = 0	ANGULAR TOL ± 3.0°	
DIVISIONAL SYMBOLS	CURRENT REV DESC:	
4 PLACES ±	EC NO: 659039	
3 PLACES ±	DRWN: JDPARK01	
2 PLACES ±	CHK'D: SCHONG03	
1 PLACE ±	APPR: JBJIN	
0 PLACES ±	INITIAL REVISION:	
	DRWN: RHORI	
	APPR: NUKITA	
	THIRD ANGLE PROJECTION	
	DRAWING: A3-SIZE	SERIES: 51035
	MATERIAL NUMBER:	CUSTOMER: GENERAL MARKET

molex

2.5 BOARD IN CONN. HOUSING

PRODUCT CUSTOMER DRAWING

DOCUMENT NUMBER	DOC TYPE	DOC PART	REVISION
SD-51035-001	PSD	001	J1