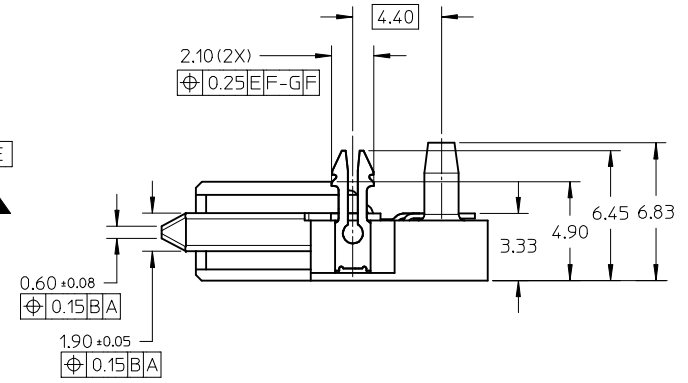


NOTES:

- MATERIAL:
HOUSING: LCP, GLASS FILLED, UL 94V-0, BLACK
TERMINAL: COPPER ALLOY
FORKLOCK: BRONZE
- PLATING:
TERMINAL:
CONTACT: 0.76µm MIN. SELECTIVE GOLD OVER 1.27µm MIN.
NICKEL UNDERPLATE
SOLDERTAIL: 2.54µm MIN. TIN OVER 1.27µm MIN. NICKEL UNDERPLATE
FORKLOCK: 2.54µm MIN. TIN OVER 1.27µm MIN. NICKEL UNDERPLATE
- MOLEX LOGO, PART NUMBER, CAVITY ID & DATE CODE LOCATED APPROXIMATELY AS SHOWN.
- NON FUNCTIONAL CORE HOLE MAY VARY.
- THIS PRODUCT IS COMPLIANT TO RoHS DIRECTIVE WITH THE FOLLOWING BANNED SUBSTANCES - LEAD, MERCURY, CADMIUM, HEXAVALENT CHROMIUM, POLYBROMINATED BIPHENYLS AND POLYBROMINATED DIPHENYL ETHERS.
- PRODUCT SPECIFICATION PS-78809-001 APPLIES.

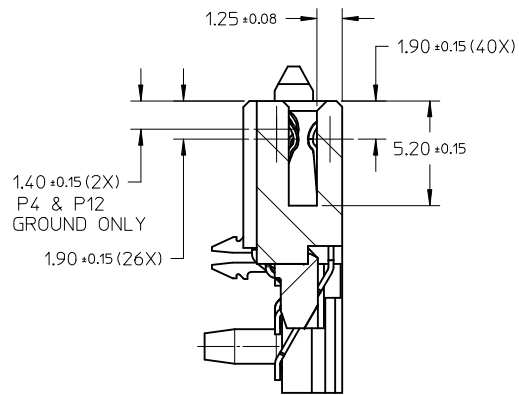


REVISED TO REV 'A'	DESCRIPTION
EC NO: S2016-0959	2016/04/20
DRW: HCGH	2016/04/20
CHKD: JESSIECHUA	2016/04/27
APPR: SHONG	2016/04/27

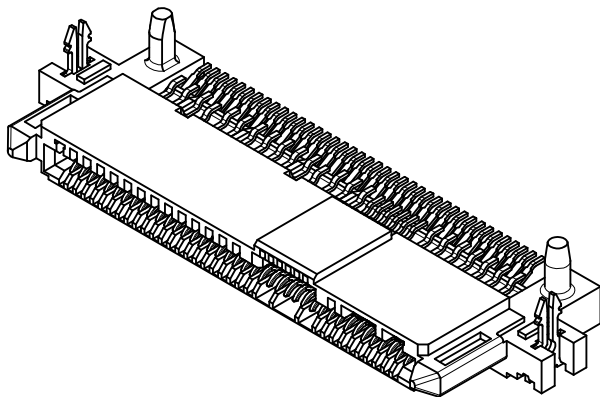
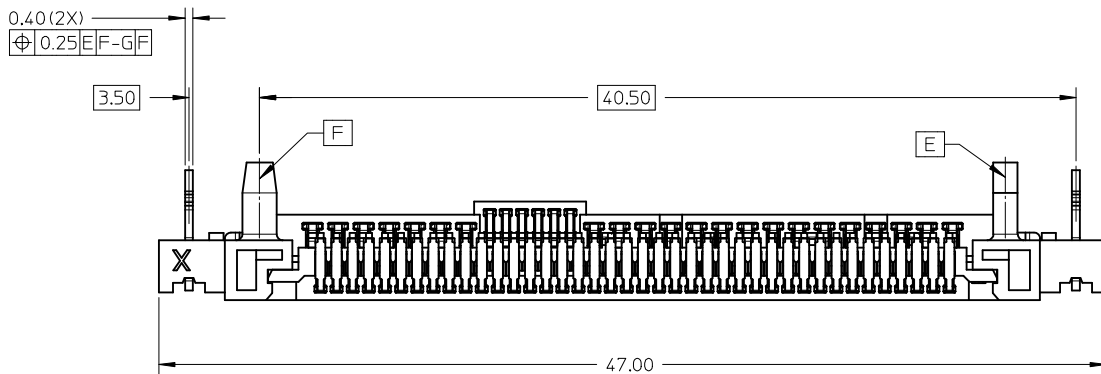
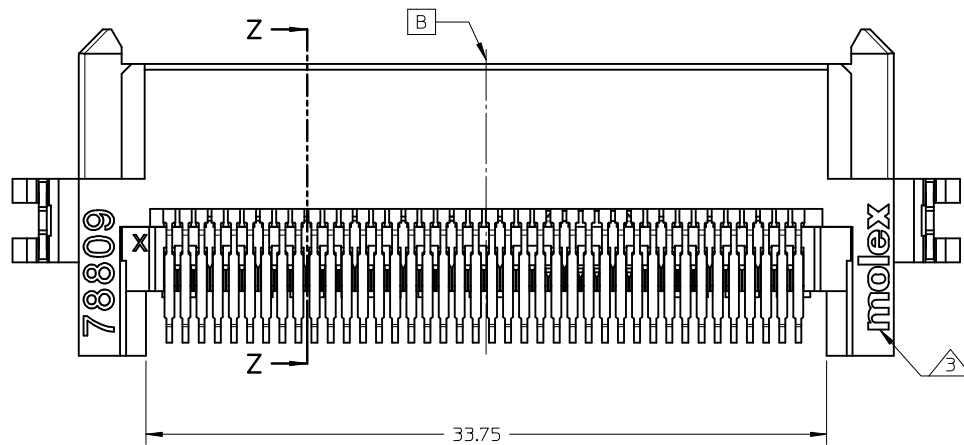
QUALITY SYMBOLS	GENERAL TOLERANCES (UNLESS SPECIFIED)	
	mm	INCH
F _A = 0	4 PLACES ± ---	± ---
F _C = 0	3 PLACES ± ---	± ---
F _E = 0	2 PLACES ± 0.20	± ---
F _F = 0	1 PLACE ± ---	± ---
	0 PLACE ± ---	± ---
	ANGULAR ± 3 °	
	DRAFT WHERE APPLICABLE MUST REMAIN WITHIN DIMENSIONS	

DIMENSION STYLE		SCALE	DESIGN UNITS	THIRD ANGLE PROJECTION
MM ONLY		NTS	METRIC	
DRAWN BY	DATE	TITLE		
WJYAP	2012/12/11	SAS/PCIE RECEPTACLE		
CHECKED BY	DATE	SMT W/FORKLOCK		
JESSIECHUA	2013/03/27	0.93MM HEIGHT		
APPROVED BY	DATE	molex		
BOKOK	2013/08/13			
MATERIAL NO.	DOCUMENT NO.	SHEET NO.		
78809-0001	SD-78809-001	1 OF 3		
SIZE	THIS DRAWING CONTAINS INFORMATION THAT IS PROPRIETARY TO MOLEX INCORPORATED AND SHOULD NOT BE USED WITHOUT WRITTEN PERMISSION			
A3				

10 9 8 7 6 5 4 3 2 1

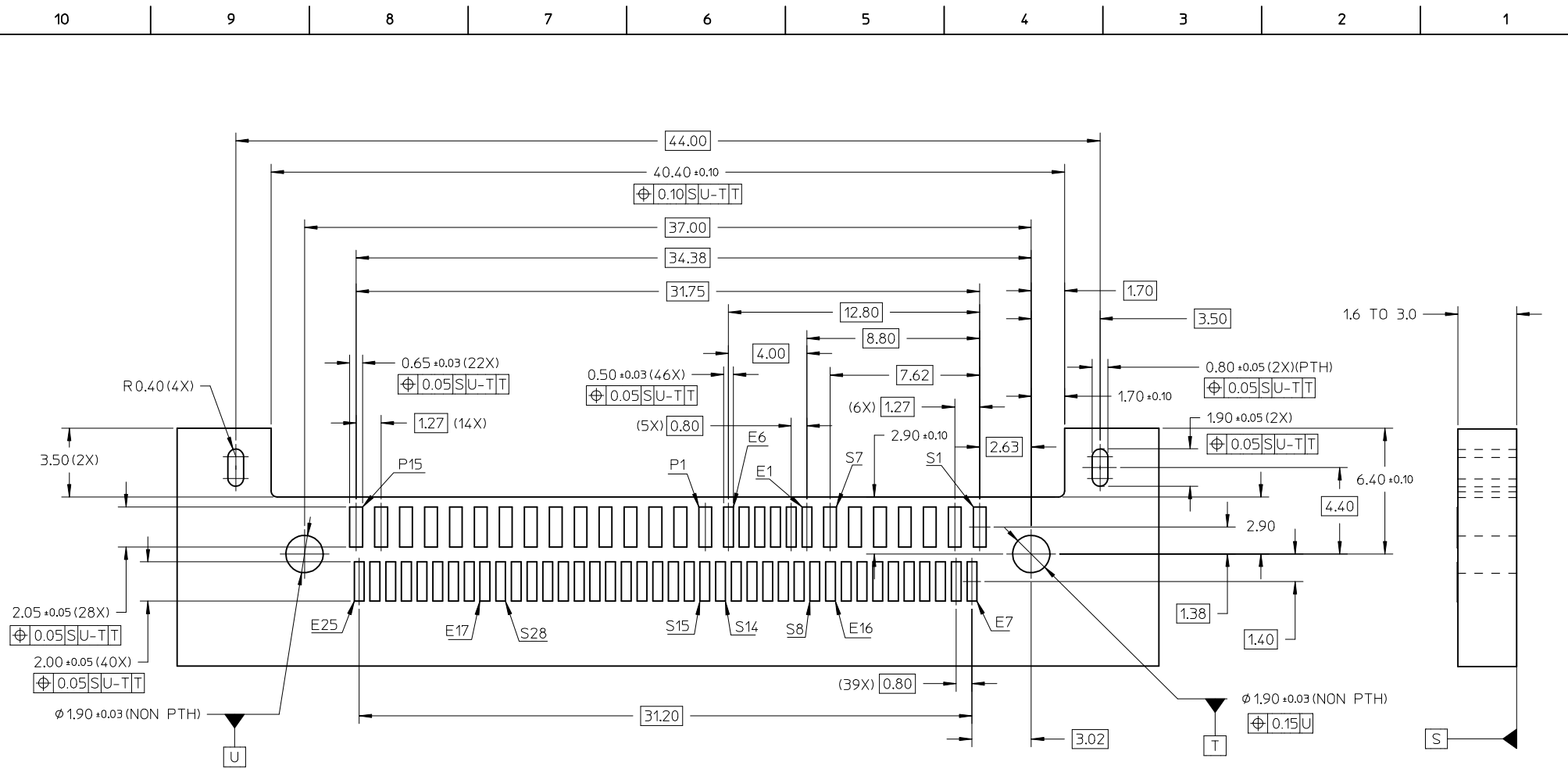


SECTION Z-Z



REVISED TO REV 'A' EC NO: S2016-0959 DRWN: HCGH 2016/04/20 CHKD: JESSIECHUA 2016/04/20 APPR: SHONG 2016/04/27	DESCRIPTION QUALITY SYMBOLS $\nabla_A = 0$ $\nabla_E = 0$ $\nabla_F = 0$	GENERAL TOLERANCES (UNLESS SPECIFIED)		DIMENSION STYLE MM ONLY		SCALE NTS	DESIGN UNITS METRIC	THIRD ANGLE PROJECTION		
			mm	INCH	DRAWN BY	DATE	TITLE			
		4 PLACES	± ---	± ---	WJYAP	2012/12/11	SAS/PCIE RECEPTACLE SMT W/FORKLOCK 0.93MM HEIGHT molex			
		3 PLACES	± ---	± ---	CHECKED BY	DATE				
2 PLACES	± 0.20	± ---	JESSIECHUA	2013/03/27	DOCUMENT NO.					
1 PLACE	± ---	± ---	APPROVED BY	DATE	SHEET NO.					
0 PLACE	± ---	± ---	BOKOK	2013/08/13	2 OF 3					
DRAFT WHERE APPLICABLE MUST REMAIN WITHIN DIMENSIONS		ANGULAR ± 3 °		MATERIAL NO. 78809-0001		THIS DRAWING CONTAINS INFORMATION THAT IS PROPRIETARY TO MOLEX INCORPORATED AND SHOULD NOT BE USED WITHOUT WRITTEN PERMISSION				

9 8 7 6 5 4 3 2 1



RECOMMENDED PCB LAYOUT

REVISED TO REV 'A' EC NO: S2016-0959 DRW: HICGOH 2016/04/20 CHKD: JESSIECHUA 2016/04/20 APPR: SHONG 2016/04/27	QUALITY SYMBOLS $\nabla = 0$ $\nabla = 0$ $\nabla = 0$	GENERAL TOLERANCES (UNLESS SPECIFIED)		DIMENSION STYLE MM ONLY	SCALE NTS	DESIGN UNITS METRIC	THIRD ANGLE PROJECTION		
		4 PLACES ± --- ± --- 3 PLACES ± --- ± --- 2 PLACES ± 0.20 ± --- 1 PLACE ± --- ± --- 0 PLACE ± --- ± ---	mm INCH	DRAWN BY WJYAP	DATE 2012/12/11	TITLE SAS/PCIE RECEPTACLE SMT W/FORKLOCK 0.93MM HEIGHT			
		ANGULAR ± 3°		CHECKED BY JESSIECHUA	DATE 2013/03/27	molex			
		DRAFT WHERE APPLICABLE MUST REMAIN WITHIN DIMENSIONS		APPROVED BY BOKOK	DATE 2013/08/13	MATERIAL NO. 78809-0001	DOCUMENT NO. SD-78809-001	SHEET NO. 3 OF 3	