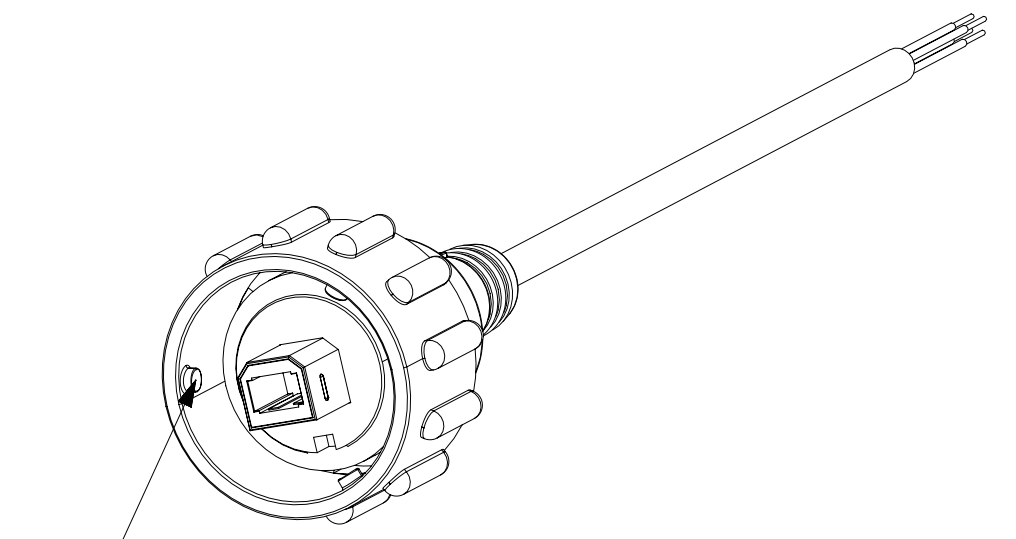
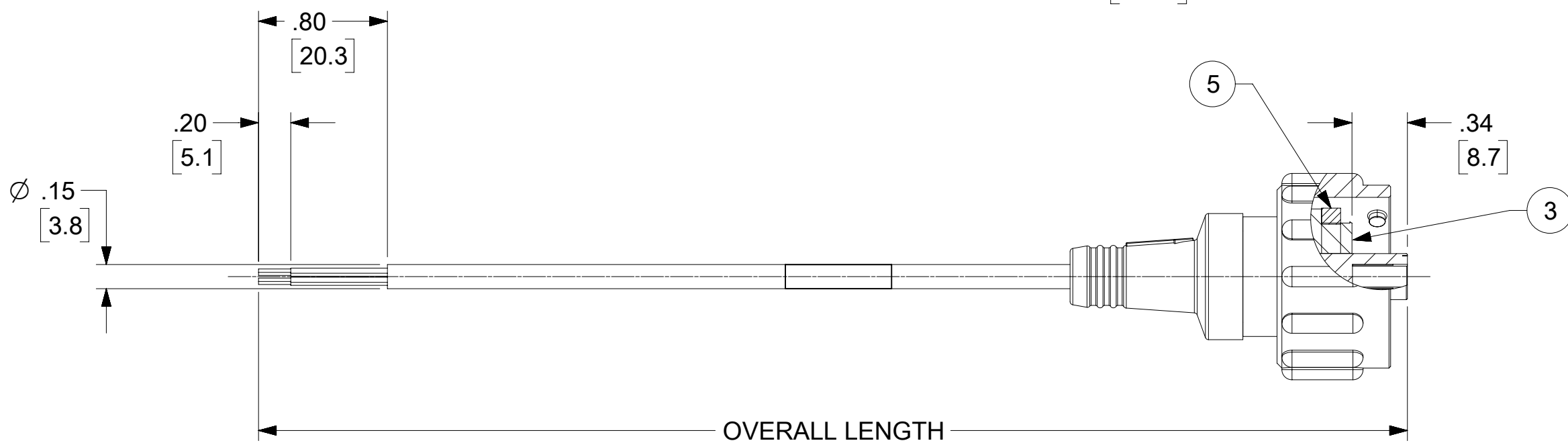
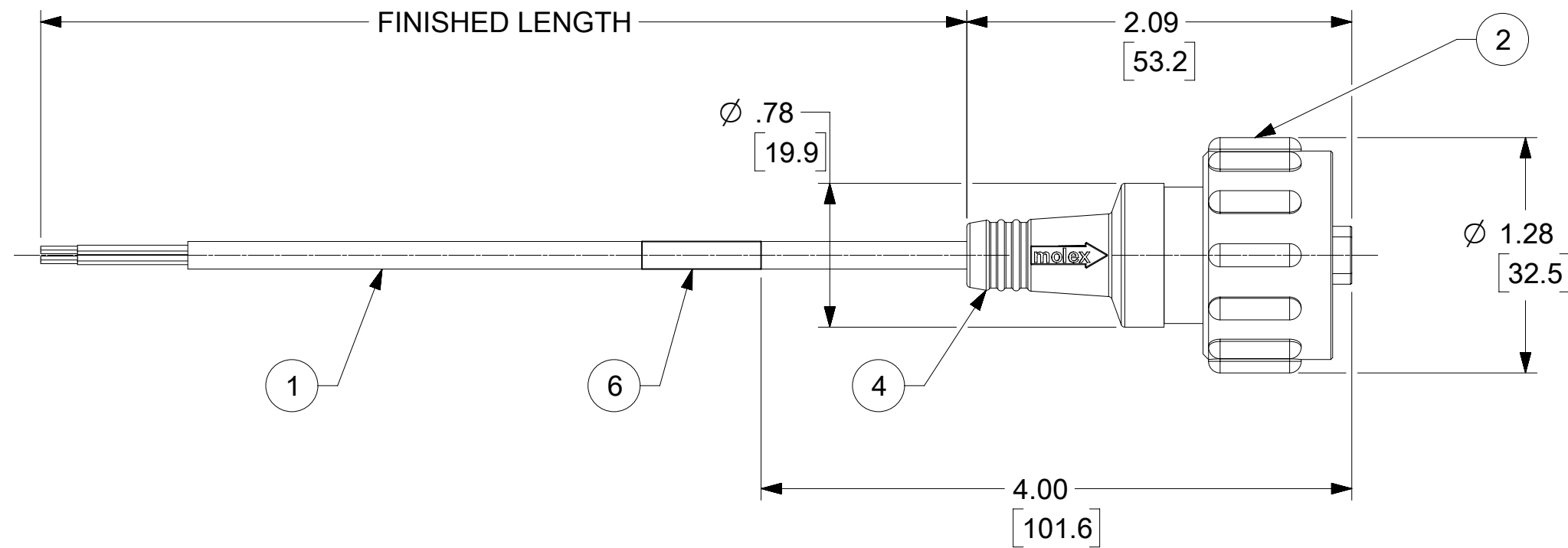
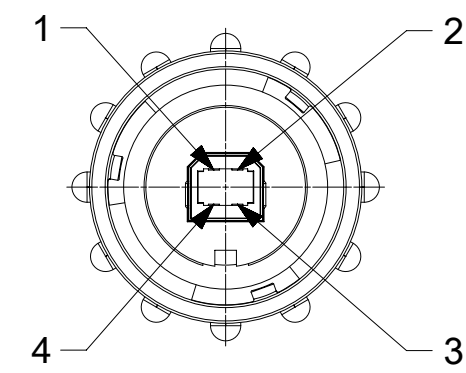


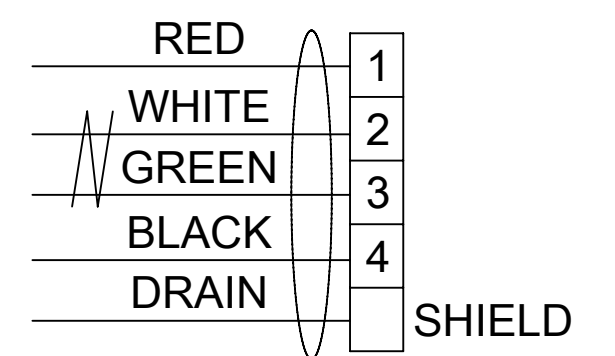
PART NO.	LENGTH	REF. OVERALL LENGTH
847281001	2.0M +44.5mm/-0 (6' 7" +1.75 IN/-0)	2.05M (6 FT 9 IN)
847281002	1.5M +31.8mm/-0 (4' 11" +1.25 IN/-0)	1.55M (5 FT 1 IN)
847281003	3.0M +63.5mm/-0 (9' 10" +2.50 IN/-0)	3.05M (10 FT 0 IN)
847281004	5.0M +101.6mm/-0 (16' 5" +4.00 IN/-0)	5.05M (16 FT 7 IN)
847281005	0.15M +25.4mm/-0 (0' 5.9" +1.00 IN/-0)	0.20M (0 FT 8 IN)



BAYONET STYLE LOCKING INTERFACE



USB-TYPE B MALE FACE VIEW



WIRE DIAGRAM

NOTES:

1. MATERIAL: AS NOTED
2. FINISHES: AS NOTED
3. PACKAGING: SEALED POLY BAG WITH BARCODE LABEL
4. PRODUCT SPEC: PS-84727-002
5. CABLE MATERIAL: PVC JACKET, BLACK
USB SHELL: PHOS-BRONZE, NICKEL PLATED
CONTACTS: PHOS-BRONZE, GOLD PLATED
6. DIMS SHOWN ARE FOR REFERENCE UNLESS NOTED OTHERWISE
7. ASSEMBLY IS RoHS COMPLIANT

ITEM	DESCRIPTION	MATERIAL	FINISH
6	WRAP LABEL	VINYL	BLACK/YELLOW
5	GASKET SEAL	NITRILE	BLACK
4	OVERMOLD	TPC	BLACK
3	HOLDER	PBT	BLACK
2	COUPLING RING	PBT	BLACK
1	CABLE SUB-ASSY, USB TYPE B PLUG, 28 AWG, SHIELDED	AS NOTED	AS NOTED

THIS DRAWING CONTAINS INFORMATION THAT IS PROPRIETARY TO MOLEX ELECTRONIC TECHNOLOGIES, LLC AND SHOULD NOT BE USED WITHOUT WRITTEN PERMISSION

DIMENSION UNITS INCH/MM		SCALE 1:1		CURRENT REV DESC: REMOVED OBSOLETE PART NUMBER AS PER PCN#509987.		molex	
GENERAL TOLERANCES (UNLESS SPECIFIED)				EC NO: 693623			
4 PLACES ±		±		DRWN: SANTHN		2021/09/14	
3 PLACES ±		±		CHK'D: GGA		2022/03/30	
2 PLACES ±		±		APPR: GGA		2022/03/30	
1 PLACE ±		±		INITIAL REVISION:		PRODUCT CUSTOMER DRAWING	
0 PLACES ±		±		DRWN: S. GILBERT		DOCUMENT NUMBER	
ANGULAR TOL ± °		°		APPR: JFMURPHY		847281001	
DRAFT WHERE APPLICABLE MUST REMAIN WITHIN DIMENSIONS		THIRD ANGLE PROJECTION		DRAWING		DOC TYPE DOC PART REVISION	
		C-SIZE		SERIES		PSD 000 B2	
		84728		MATERIAL NUMBER		CUSTOMER	
		SEE P/N CHART		GENERAL MARKET		SHEET NUMBER	
		1 OF 1					