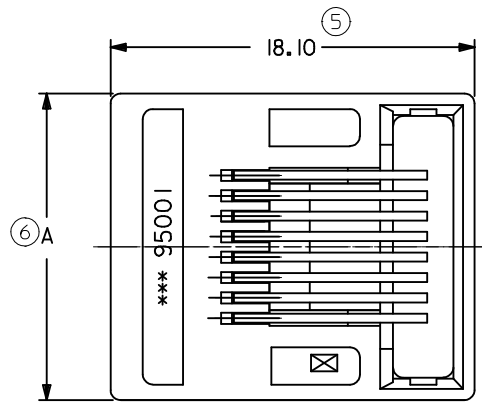
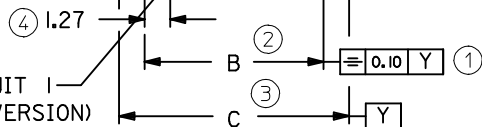


**6 & 8 VERSIONS**

8 VERSION SHOWN

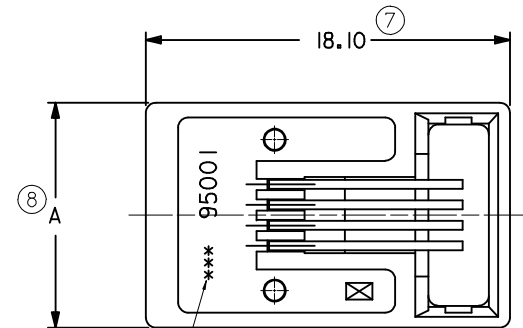
CIRCUIT 1  
(8 CKTS VERSION)

CIRCUIT 1  
(6 CKTS VERSION)



VIEW Z

**4 VERSION ONLY**



NOTE 5

**NOTES :**

**1- MATERIAL:**

- HOUSING: LCP GLASS FILLED UL 94V-0, COLOUR BLACK.
- TERMINAL: COPPER ALLOY
- BASE FINISH: NICKEL
- CONTACT SURFACE FINISH:  
GOLD  
OR  
GOLD FLASH OVER PALLADIUM NICKEL.

EXCEEDS PRODUCT REQUIREMENTS BASED ON PS-95501

2- JACK FOR MATING WITH F.C.C. 68 PLUGS 90075 MOLEX SERIES.

3- PRODUCT SPECIFICATION PS-95501.

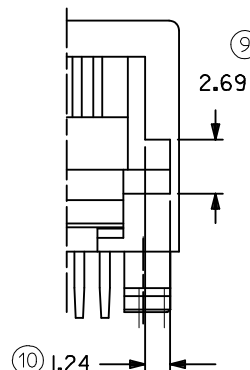
4- PACKAGING SPECIFICATION PK-95001: STANDARD PACKAGING SHEET 1.  
SPECIAL PACKAGING SHEET 2. TUBE PACKAGING SHEET 3.

5- MANUFACTURING I.D. CAN BE EITHER MXF, MG OR MXI.

6- RECOMMENDED PCB THICKNESS: 1.57mm

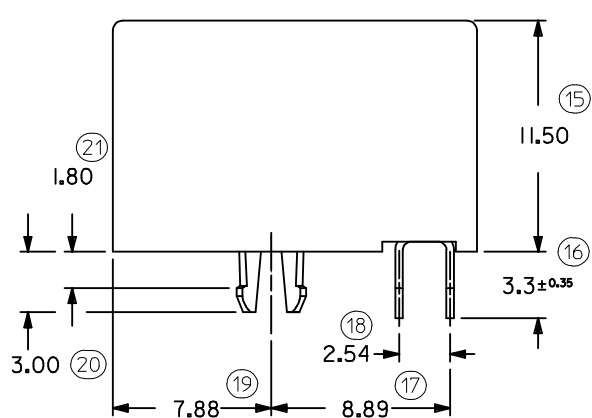
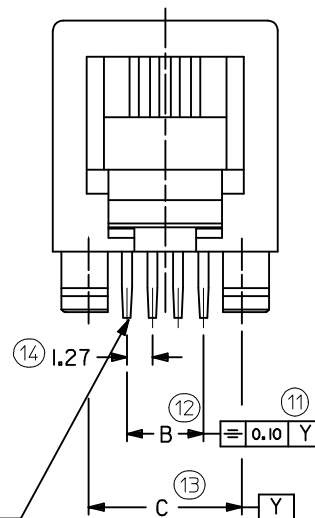
INSPECTION NUMBERS USED: 1 - 50

LAST INSPECTION NUMBER: 21



OPTIONAL  
KEYING

CIRCUIT 1  
(4 CKTS VERSION)



| DIM. | TYPE | POS. 4  |         | POS. 6  |         | POS. 8  |
|------|------|---------|---------|---------|---------|---------|
|      |      | 4 CKTS. | 4 CKTS. | 6 CKTS. | 8 CKTS. | 8 CKTS. |
| A    |      | 11.18   | 13.21   | 13.21   | 15.24   |         |
| C    |      | 7.62    | 10.16   | 10.16   | 11.43   |         |
| B    |      | 3.81    | 3.81    | 6.35    | 8.89    |         |

**MODIFIED NOTES.**

EC NO: IPG2012-0602

DRW:DBYRNES 2012/03/30

CHKD:MSHAHAN 2012/03/30

APPR:EFOLAN 2012/06/26

QUALITY SYMBOLS

▽ = 0

◻ = 0

GENERAL TOLERANCES (UNLESS SPECIFIED)

|                | mm     | INCH  |
|----------------|--------|-------|
| 4 PLACES       | ± ---  | ± --- |
| 3 PLACES       | ± ---  | ± --- |
| 2 PLACES       | ± 0.15 | ± --- |
| 1 PLACE        | ± 0.25 | ± --- |
| ANGULAR ± ---° |        |       |

DRAFT WHERE APPLICABLE  
MUST REMAIN  
WITHIN DIMENSIONS

DIMENSION STYLE  
**MM ONLY**

DRAWN BY: DBYRNES DATE: 2006/08/02

CHECKED BY: EOMAHONY DATE: 2006/08/12

APPROVED BY: EOMAHONY DATE: 2006/08/12

MATERIAL NO. SEE CHART, SHEETS 4 & 5

SCALE: 4:1

DESIGN UNITS: METRIC

THIRD ANGLE PROJECTION

TITLE: R/A LOW PROFILE PC JACK 4,6,8 CKTS SIZE THROUGH HOLE VERSION

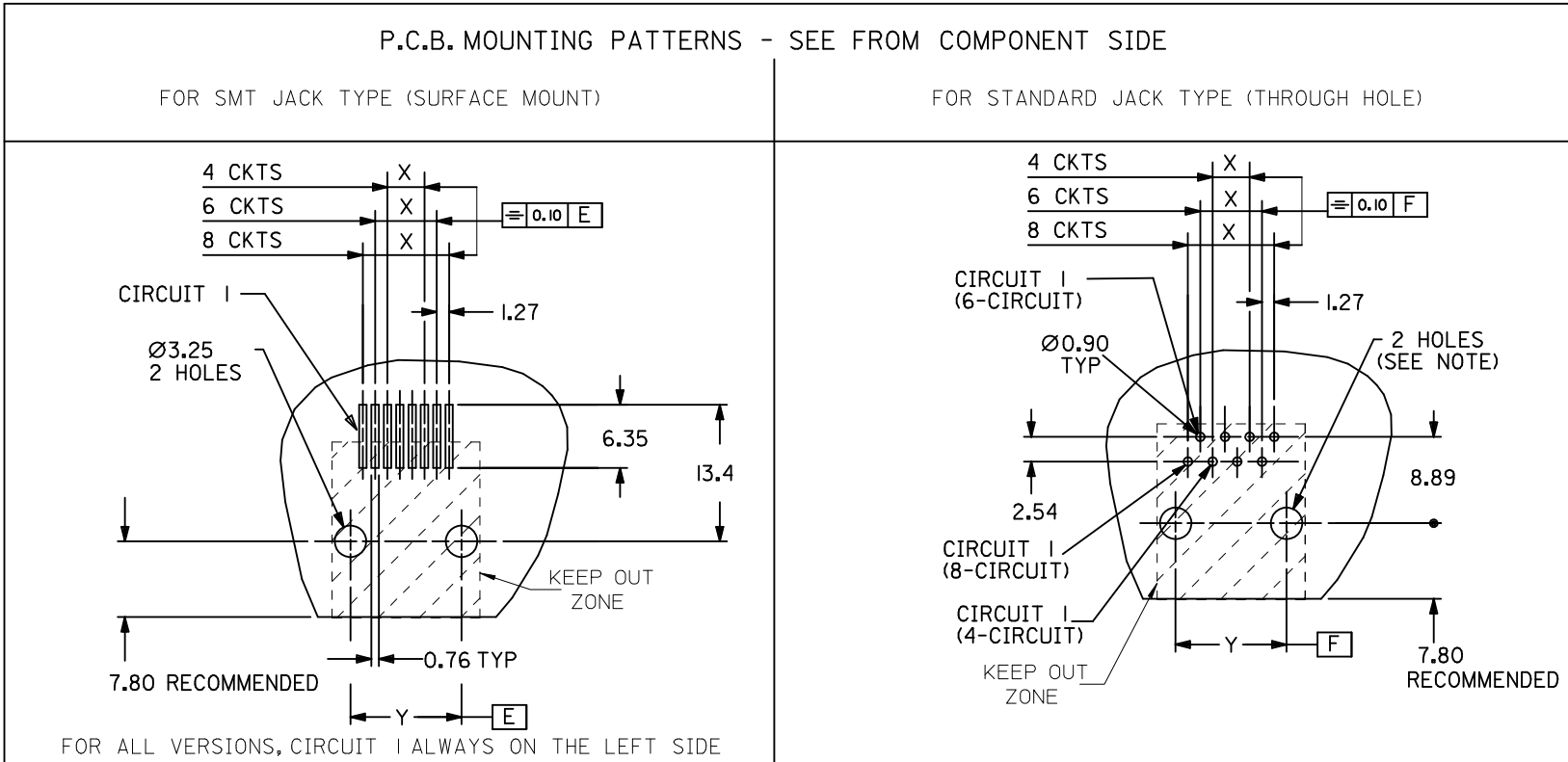
MOLEX MOLEX INCORPORATED

DOCUMENT NO. SD-95501-001

SHEET NO. 1 OF 5

THIS DRAWING CONTAINS INFORMATION THAT IS PROPRIETARY TO MOLEX INCORPORATED AND SHOULD NOT BE USED WITHOUT WRITTEN PERMISSION

| TYPE \ DIM. | POS. 4  | POS. 6  |         | POS. 8  |
|-------------|---------|---------|---------|---------|
|             | 4 CKTS. | 4 CKTS. | 6 CKTS. | 8 CKTS. |
| Y ±0.05     | 7.62    | 10.16   | 10.16   | 11.43   |
| X ±0.05     | 3.81    | 3.81    | 6.35    | 8.89    |



**NOTE:**  
 FOR CONVECTION SOLDERING: DIA 3.25±0.05  
 FOR WAVE SOLDERING: DIA 3.20±0.10  
 ALL DIMENSIONS REF DIMENSIONS

|  |                 |   |   |   |              |   |  |
|--|-----------------|---|---|---|--------------|---|--|
| REMOVED INCHES<br>EC NO: E2012-0079<br>DRWN: JOCONNOR 2011/02/23<br>CHKD:<br>APPR: EFOLAN 2011/09/28 | QUALITY SYMBOLS | GENERAL TOLERANCES (UNLESS SPECIFIED)   | DIMENSION STYLE   | SCALE   | DESIGN UNITS | THIRD ANGLE PROJECTION  |  |
|  | ▼=0<br>◻=0      | mm    INCH<br>4 PLACES ± --- ± ---<br>3 PLACES ± --- ± ---<br>2 PLACES ± 0.15 ± ---<br>1 PLACE ± 0.25 ± ---<br>ANGULAR ± ---° | MM ONLY<br>DRAWN BY: DBYRNES    DATE: 2006/08/02<br>CHECKED BY:    DATE:<br>APPROVED BY:    DATE: 2006/08/12<br>EOMAHONY 2006/08/12 | 2:1   | METRIC       | ☉    □<br>THIRD ANGLE PROJECTION                                    |  |
|  |                 | DRAFT WHERE APPLICABLE<br>MUST REMAIN<br>WITHIN DIMENSIONS  | MATERIAL NO.<br>SEE CHART SHEETS 4 & 5  | TITLE<br>R/A LOW PROFILE JACK<br>PC JACK 4,6,8 CKT SIZE<br>SMT AND STANDARD VERSION   |              | MOLEX INCORPORATED<br>DOCUMENT NO. SD-95501-001    SHEET NO. 3 OF 5 |  |
|  |                 |   | SIZE<br>A3  | THIS DRAWING CONTAINS INFORMATION THAT IS PROPRIETARY TO MOLEX INCORPORATED AND SHOULD NOT BE USED WITHOUT WRITTEN PERMISSION |              |   |  |

# STANDARD PACKAGING OPEN TRAY ,SEE PACKAGING SPEC PK95001 SHEET 1

PART NO FOR JACK ASSEMBLY  
THROUGH HOLE VERSION

LCP GLASS FILED 94V0,COLOR BLACK.

| HOUSING SIZE | LOADED CONTACTS |
|--------------|-----------------|
| 4            | 4               |
| 6            | 4               |
| 6            | 6               |
| 8            | 8               |

| NO KEY     | TOOLED | KEY        | TOOLED |  | TOOLED |  | TOOLED |
|------------|--------|------------|--------|--|--------|--|--------|
| NOT RIBBED | TOOLED | NOT RIBBED | TOOLED |  | TOOLED |  | TOOLED |
| 95501-244  | X      |            |        |  |        |  |        |
| 95501-264  | X      |            |        |  |        |  |        |
| 95501-266  | X      |            |        |  |        |  |        |
| 95501-288  | X      | 95501-2882 | X      |  |        |  |        |

| <b>REMOVED OPTIONS</b><br>EC NO: IPG2012-060Z<br>DRW:DBYRNES 2012/03/30<br>CHKD:MSHAHAN 2012/03/30<br>APPR:EFOLAN 2012/06/26 | QUALITY SYMBOLS<br>=0<br>=0.05 | GENERAL TOLERANCES (UNLESS SPECIFIED)<br><table border="1"> <tr> <th></th> <th>mm</th> <th>INCH</th> </tr> <tr> <td>4 PLACES</td> <td>± ---</td> <td>± ---</td> </tr> <tr> <td>3 PLACES</td> <td>± ---</td> <td>± ---</td> </tr> <tr> <td>2 PLACES</td> <td>± ---</td> <td>± ---</td> </tr> <tr> <td>1 PLACE</td> <td>± ---</td> <td>± ---</td> </tr> <tr> <td colspan="3">ANGULAR ± ---°</td> </tr> </table> |   | mm  | INCH | 4 PLACES | ± --- | ± --- | 3 PLACES | ± --- | ± --- | 2 PLACES | ± --- | ± --- | 1 PLACE | ± --- | ± --- | ANGULAR ± ---° |  |  | DIMENSION STYLE<br><b>MM ONLY</b> | SCALE<br>--- | DESIGN UNITS<br>METRIC | THIRD ANGLE PROJECTION |
|--|--------------------------------|---|---|---|------|----------|-------|-------|----------|-------|-------|----------|-------|-------|---------|-------|-------|----------------|--|--|-----------------------------------|--------------|------------------------|------------------------|
|  |                                | mm  | INCH  |   |      |          |       |       |          |       |       |          |       |       |         |       |       |                |  |  |                                   |              |                        |                        |
|  | 4 PLACES                       | ± ---   | ± ---   |   |      |          |       |       |          |       |       |          |       |       |         |       |       |                |  |  |                                   |              |                        |                        |
|  | 3 PLACES                       | ± ---   | ± ---   |   |      |          |       |       |          |       |       |          |       |       |         |       |       |                |  |  |                                   |              |                        |                        |
| 2 PLACES   | ± ---                          | ± ---   |   |   |      |          |       |       |          |       |       |          |       |       |         |       |       |                |  |  |                                   |              |                        |                        |
| 1 PLACE  | ± ---                          | ± ---   |   |   |      |          |       |       |          |       |       |          |       |       |         |       |       |                |  |  |                                   |              |                        |                        |
| ANGULAR ± ---°   |                                |   |   |   |      |          |       |       |          |       |       |          |       |       |         |       |       |                |  |  |                                   |              |                        |                        |
|  |                                | DRAWN BY: DBYRNES<br>DATE: 2006/08/02   | CHECKED BY: EOMAHONY<br>DATE: 2006/08/12            | TITLE<br>LOW PROFILE R/A JACK<br>STANDARD T/HOLE VERSION<br>STANDARD OPEN TRAY VERS   |      |          |       |       |          |       |       |          |       |       |         |       |       |                |  |  |                                   |              |                        |                        |
|  |                                | APPROVED BY: EOMAHONY<br>DATE: 2006/08/12   | MATERIAL NO. SEE CHART<br>DOCUMENT NO. SD-95501-001 |   |      |          |       |       |          |       |       |          |       |       |         |       |       |                |  |  |                                   |              |                        |                        |
|  |                                | DRAFT WHERE APPLICABLE<br>MUST REMAIN WITHIN DIMENSIONS   | SIZE<br>A3  | THIS DRAWING CONTAINS INFORMATION THAT IS PROPRIETARY TO MOLEX INCORPORATED AND SHOULD NOT BE USED WITHOUT WRITTEN PERMISSION |      |          |       |       |          |       |       |          |       |       |         |       |       |                |  |  |                                   |              |                        |                        |