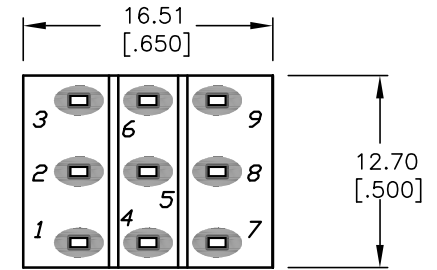
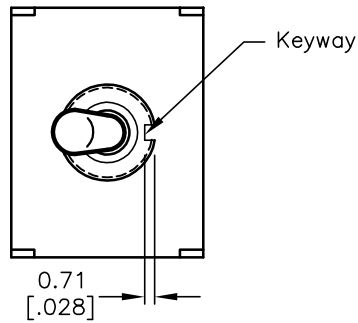
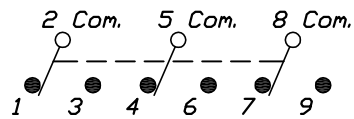


P.C. MOUNTING

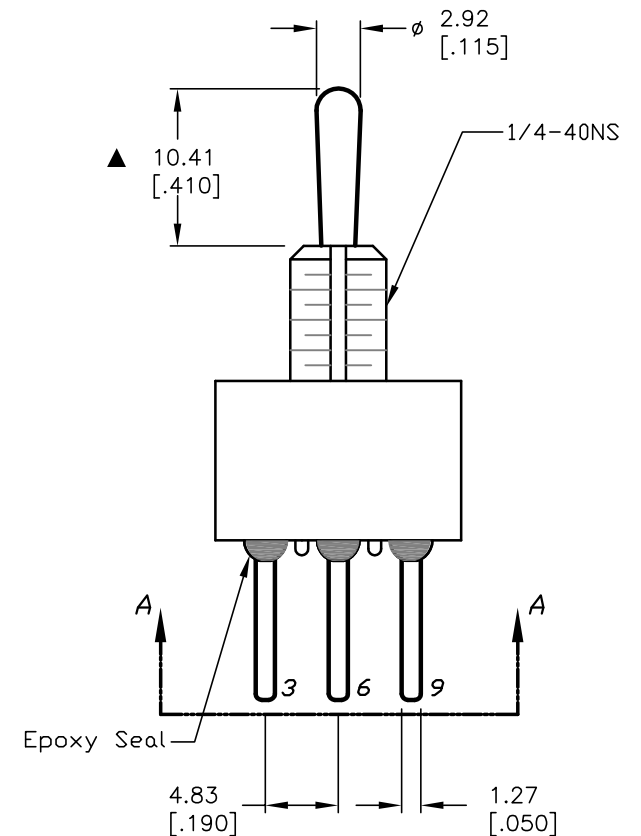
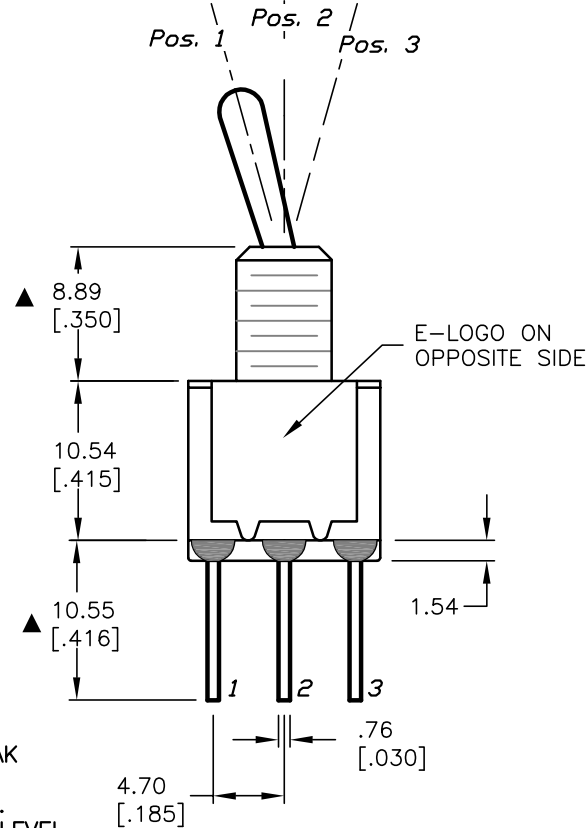
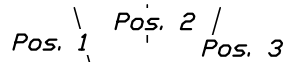


VIEW A-A

SWITCH FUNCTION		
POS. 1	POS. 2	POS. 3
ON	OFF	ON
2-3,5-6 8-9	OPEN	2-1,5-4 8-7



CIRCUIT: 3PDT



NOTES:

1. ALL DIMENSIONS IN MM [INCH]
2. GENERAL TOLERANCE: X.X=±0.4  
X.XX=±0.25
3. TERM. NOS. FOR REF. ONLY
4. RATING: 5A @120VAC OR 28VDC;  
2A @250VAC
5. FIXED TERM. & MOVING CONTACT:  
COPPER ALLOY W/SILVER PLATE.
6. ELECTRICAL LIFE: 50,000 MAKE-AND-BREAK  
CYCLES AT FULL LOAD.
7. INSULATION RESISTANCE: 1,000M OHM MIN.
8. DIELECTRIC STRENGTH: 1000V RMS @SEA LEVEL
9. OPERATING TEMP.: -30°C to 85°C
10. ▲ DENOTES CRITICAL PARAMETER.

**E-SWITCH®**

TITLE				
1003P3T1B1M53QE				
SCALE	DATE	DR	DWG	REV
2:1	11/2/04	AR	T133053	A

A	14448	RELEASED FOR PRODUCTION	11/2/04	AR
REV.	ECN No.	DESCRIPTION	DATE	CHKD
THE INFORMATION CONTAINED IN THIS DOCUMENT IS PROPRIETARY TO E-SWITCH AND IS NOT TO BE COPIED OR TRANSFERRED				