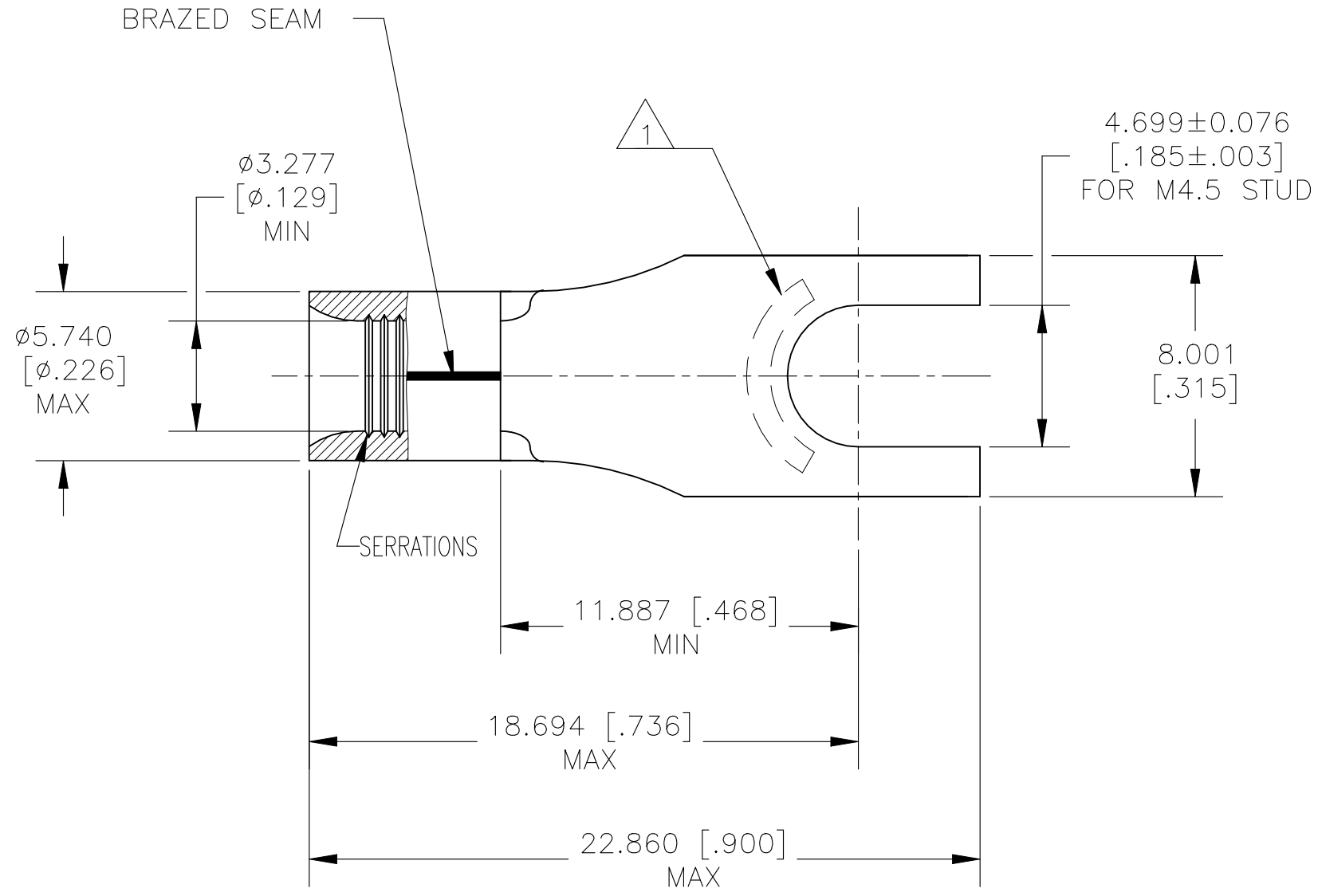


© RK TE Connectivity. All Rights Reserved.

REVISIONS					
P	LTR	DESCRIPTION	DATE	DWN	APVD
	A	REV PER ECR-22-129396	18FEB22	RK	DR

 Listed E13288	 LR7189 Certified
12-10 AWG STRANDED	12-10 AWG SOLID OR STRANDED

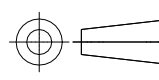


- 1 STAMP AMP 12-10* APPROX AS SHOWN
- 2 MATERIAL THK: 0.991±0.051 [0.039±0.002]
- 3 MATERIAL: COPPER PER ASTM B152
- 4 FINISH: TIN PLATE 0.00254 [0.000100] MIN EXT THK PER ASTM B545


1000	LOOSE PIECE	130499
QTY	PACKAGE TYPE	PART NO

AMP INCORPORATED CUSTOMER SERVICE SYSTEMS	
FOR ADDITIONAL PRODUCT INFORMATION OR COPIES OF DRAWINGS AND TECHNICAL DOCUMENTS	PRODUCT INFORMATION CENTER 1-800-522-6752
FOR APPLICATION TOOLING INFORMATION	TOOLING ASSISTANCE CENTER 1-800-722-1111
FOR ORDER ENTRY	1-800-526-5142

MAX RECOMMENDED OPERATING TEMPERATURE: 170°C [338°F]
VOLTAGE RATING: N/A
CIRCULAR MIL AREA: 2.62-6.64mm² [5,180-13,100] SOLID OR STRANDED

THIS DRAWING IS A CONTROLLED DOCUMENT.	
DIMENSIONS: mm [INCHES]	TOLERANCES UNLESS OTHERWISE SPECIFIED:
	0 PLC ± - 1 PLC ± - 2 PLC ± - 3 PLC ± ± 0.127 [0.005] 4 PLC ± - ± 5° ANGLES
MATERIAL	FINISH
3	4

DWN jr_ruth 27JUL07
CHK T MICHELUTTI 27JUL07
APVD T MICHELUTTI 27JUL07
PRODUCT SPEC UL 486A-B
APPLICATION SPEC -
WEIGHT
CUSTOMER DRAWING

 TE Connectivity			
NAME TERMINAL, SPADE TONGUE, SOLISTRAND, WIRE SIZE: 12-10 AWG			
SIZE A3	CAGE CODE 00779	DRAWING NO C-130499	RESTRICTED TO -
SCALE 5:1		SHEET 1 OF 1	REV A