

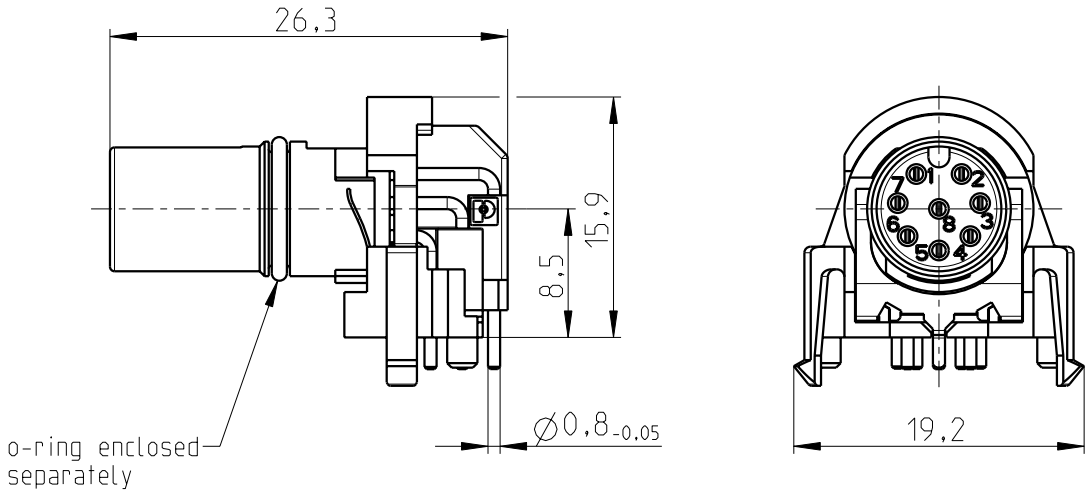
The copying, distribution and utilization of this document as well as the communication of the contents to others without expressed authorization is prohibited according to §18 UWG German Law. Offenders will be held liable for the payment of damages according to §19 UWG German Law. All rights reserved. In particular the right to carry out patent, utility model or ornamental design registrations.

Weitergabe sowie Vervielfältigung dieses Dokuments, Verwertung und Mitteilung seines Inhalts gem §18 UWG verboten. soweit nicht ausdrücklich gestattet. Zuwiderhandlungen verpflichten zu Schadensersatz (§19 UWG). Alle Rechte vorbehalten, insbesondere das Recht, Patent-, Gebrauchsmuster- oder Geschmacksmusteranmeldungen durchzuführen. CONINVERS GmbH Heisenbergstrasse 1 D-71083 Herrenberg

Mechanical data (according to IEC 61076-2-101)		Material	
no. of poles / coding	8 / A (with shield connection)	contacts / surface	CuZn with gold layer
contact termination	dip solder / socket	contact carrier colour	PA6T/66 black
contact- \varnothing	8x \varnothing 0,8mm	sealing gasket	FKM
temperature range	-40 °C to +105 °C		
protection class	IP67		
mating cycles	>100		

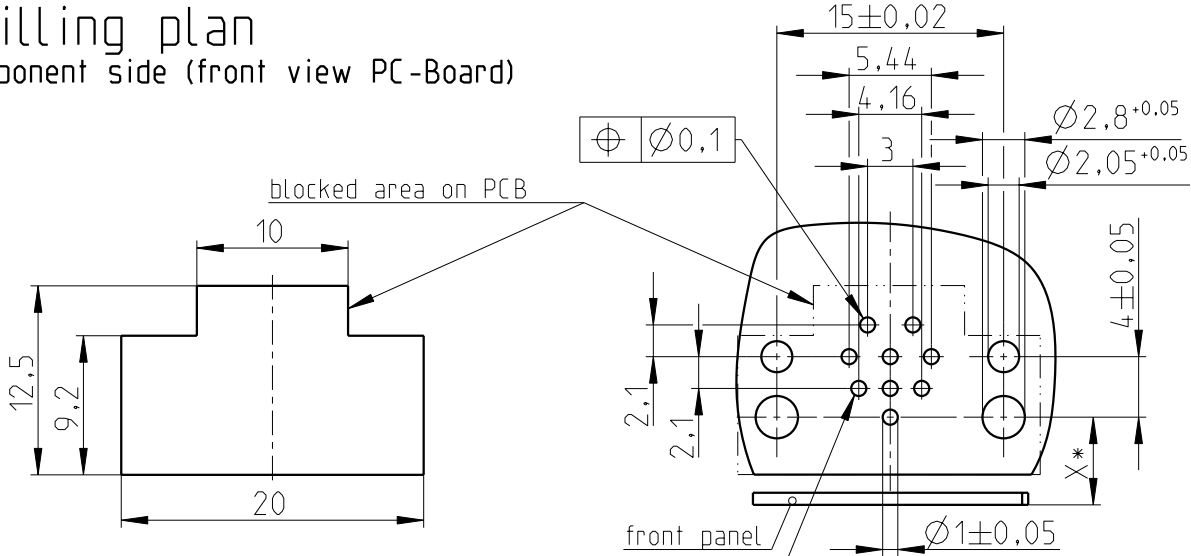
further information:
- see technical data M12-3

While mounting the insulating body with o-ring into the housing, the axial mounting force on each connector shouldn't be higher than 80N. Avoid radial forces!



All specified data refers to the mounted M12 installation plugs >IP54 and requires that the connector pair be correctly plugged and locked. Influences from wires, cables or PCB mounting are also to be taken into consideration.

drilling plan component side (front view PC-Board)



Design of the solder holes provided by the customer, according to solder - process (THR, wave)

* measure X depends on the installed housing, see installation recommendation of the housing series M12 DSIV

general tolerance acc. to DIN ISO 2768-c		technical changes reserved		Index 1 / 2012-06-20		scale: 2:1		
design	date	Series DSIV						
chk.	name	M12-socket-contact carrier						
		8-pole socket/A-coding/angled/shield connection						
		drawing-no.:	BS-08S2NF20000		doc.-no.:	00668367		
		order-no.:	1437009					page: 1 of: 1
		article designation:	SACC-CI-M12FS-8CON-L90 SH SCO					