



- Universal Input 100~240VAC 50/60Hz
- UL/IEC/EN 62368-1 Approved
- Compliant to LVD & EMC safety standards
- RoHS & CE Directive Compliant
- Level VI efficiency
- OVP, OCP, OTP & Short Circuit Protection

The purpose of the document is to specify a Single-phase AC input, single output switching power supply. This specification is suitable for: 15DYS850-xyW 50W Series. This product is AC to DC switching power supply, it can provide 9-30V 50W max DC output constant voltage source. This Specification defines the input, output, performance characteristics, environment, noise and safety requirements.

Models

Model Number	Output Voltage	Output Current	Output Power
15DYS850-090500W	9V DC	5A	45W
15DYS850-120420W	12V DC	4.2A	50W
15DYS850-150336W	15V DC	3.36A	50W
15DYS850-180280W	18V DC	2.8A	50W
15DYS850-240210W	24V DC	2.1A	50W
15DYS850-300168W	30V DC	1.68A	50W

Input Data

	Min	Typical	Max	Units	Notes
Input Voltage	90		264	V AC	100-240VAC +/- 10%
Input Frequency	47		63	Hz	50-60Hz +/- 5%
Input Current			1.3	A	
Inrush Current	0		80	A	At cold start, 100 / 240V AC
Leakage Current			0.25	mA	

Output Data

	Min	Typical	Max	Units	Notes
Output Voltage tolerance		5		%	
Ripple & Noise		150		mVp-p	
Over Current Protection					Over Current Point Limited >6A
Short Circuit Protection					Continuous short circuit proof. Will recover if fault condition is removed
Over Voltage Protection					Will recover if fault condition is removed

Environmental Data					
	Minimum	Typical	Maximum	Units	Notes
Operating Temperature	0		+40	°C	
Storage Temperature	-20		+80	°C	
Operating Humidity	10		90	%	Operating 10% to 90%
Storage Humidity	5		95	%	Storage 5% to 95%

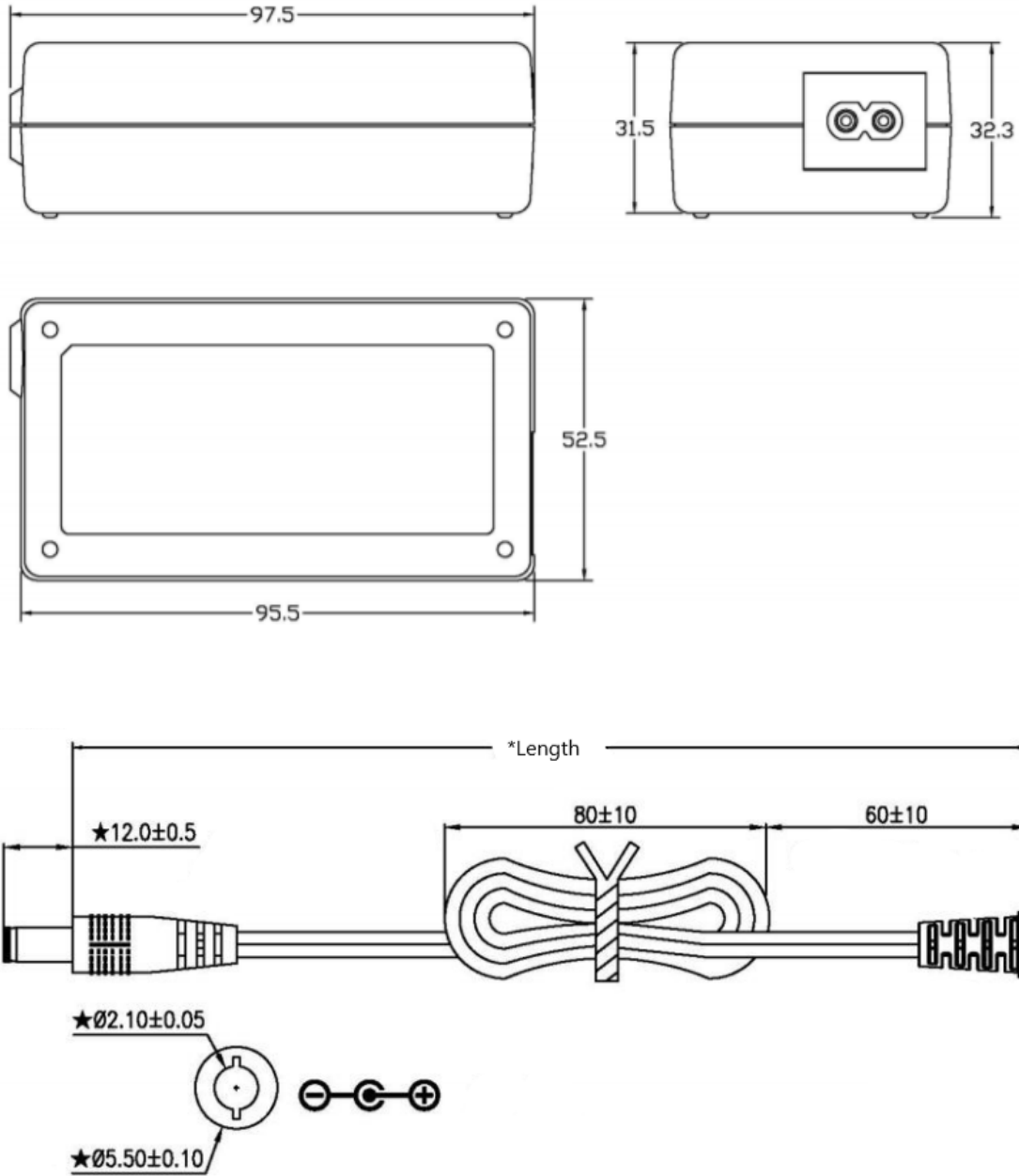
Other Information					
	Minimum	Typical	Maximum	Units	Notes
Dielectric Strength					Primary to Secondary: 4242VDC/5mAMax (3 seconds)
MTBF		50,000		hrs	At 25°C, Full load and nominal
Weight	200 +/-10g Depending on model				
Dimensions	Refer to mechanical drawings				

EMC Emissions (2014/30/EU)				
	Standard	Test Level	Criteria	Notes
Conducted	EN 55032	Pass	B	EMC Directive 2014/30/EU
Radiated	EN 55032	Pass	B	
Harmonic Standard	EN 61000-3-2		Class D	P.F. shall >0.95 @100Vac input and >0.9 @240Vac input

EMC Immunity (2014/30/EU)				
	Standard	Test Level	Criteria	Notes
EMS	EN 55035			
EMS	EN 61204-3			
ESD	IEC 61000-4-2		B	Contact: +/- 4KV; Air: +/- 8KV
RS	IEC 61000-4-3			Frequency: 80-1000MHz; Field Strength: 3V/M ' 80% AM (1KHz)
EFT	IEC 61000-4-4		A/B	0.5/1.0KV on input AC power ports
Surge	IEC 61000-4-5		A	Line to Line: +/- 1KV (peak); Line to F.G: +/- 2KV (peak)
Conducted				
PFMF				
Dips and Interruptions				

Safety Approvals	
Safety Standards	
RoHS/REACH	RoHS Directive (EU) 2015/863 & REACH (205 SVHC)
CE LVD Directive 2014/35/EU	Yes (UK/European)
cULus	Yes
TUV	Yes
RCM & C-Tick	Yes

Mechanical Drawing



*Cable Length

Model Number	Output Cable
15DYS850-090500W	1.2m UL2468
15DYS850-120420W	1.2m UL2468
15DYS850-150336W	1.5m UL2468
15DYS850-180280W	1.5m UL2468
15DYS850-240210W	1.5m UL2468
15DYS850-300168W	1.5m UL2468