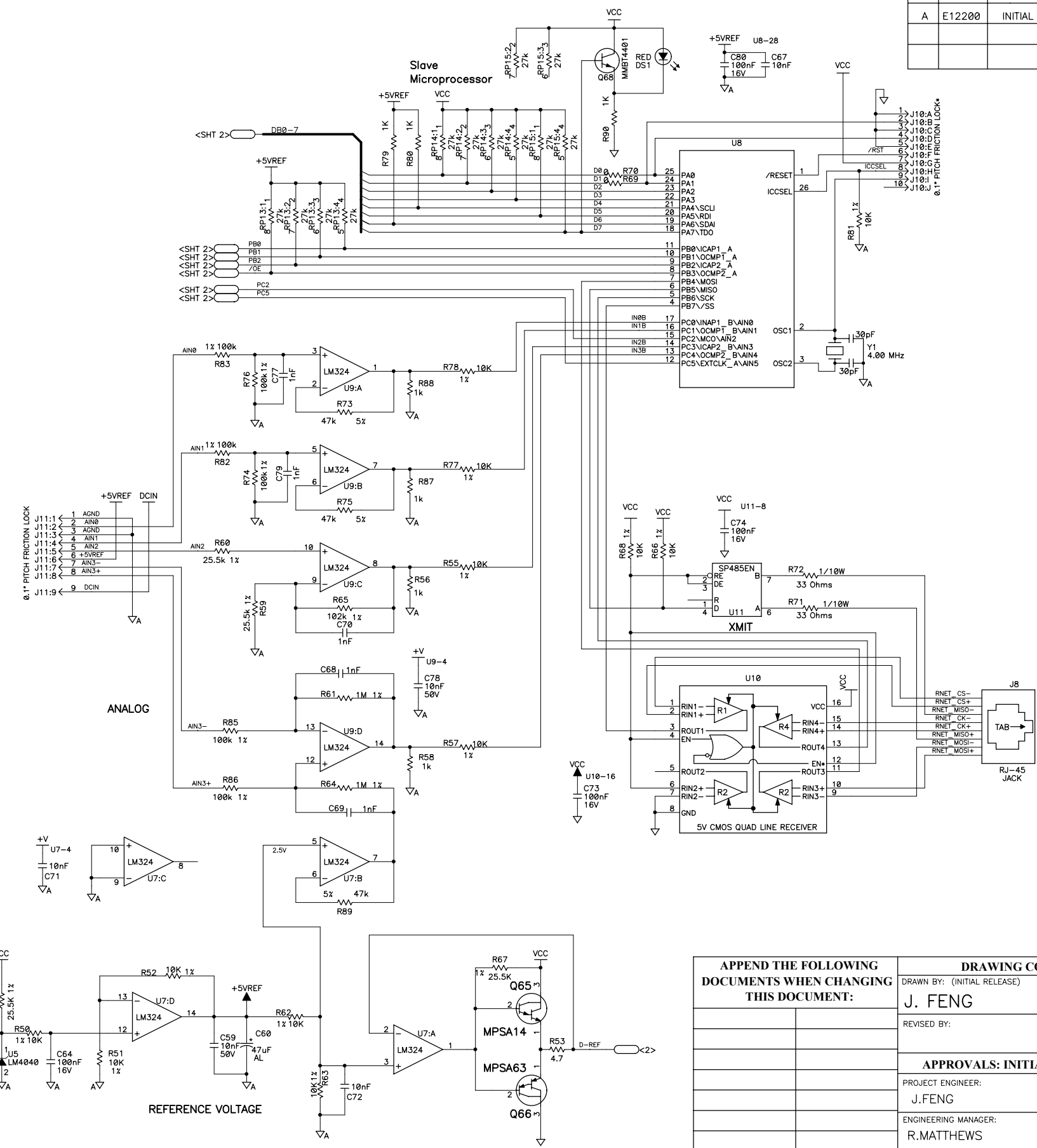


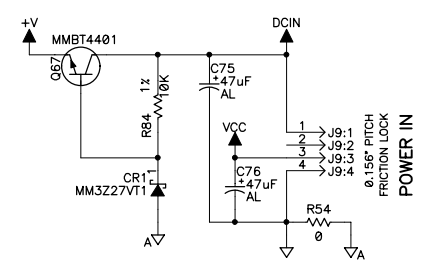
REVISION HISTORY			REVISION APPROVAL			
REV	ECO	DESCRIPTION OF CHANGE	PROJECT ENGINEER	APPROVAL DATE	DOCUMENT CONTROL	APPROVAL DATE
A	E12200	INITIAL RELEASE	JFENG	4/30/03	KIS	4/30/03




- NOTES: UNLESS OTHERWISE SPECIFIED:
- ALL RESISTOR VALUES ARE IN OHMS, 1/16W 0603 PACKAGE, 5%
  - ALL CAPACITORS ARE 50VDC OR HIGHER.
  - THE ORIGIN SOURCE OF A VOLTAGE IS REPRESENTED BY (VCC), AND ALL REFERENCES TO THAT VOLTAGE ARE REPRESENTED BY (VCC).
- 4 OUTLINED CIRCUIT MAY NOT BE STUFFED DEPENDING ON MODEL, SEE STUFFING CHART FOR CLARIFICATION.
5. COMPONENT VALUES SHOWN WITH AN ASTERISK (\*) FOLLOWING THE VALUE, MAY HAVE DIFFERENT VALUES, OR MAY NOT BE STUFFED DEPENDING ON MODEL. SEE STUFFING CHART FOR CLARIFICATION.

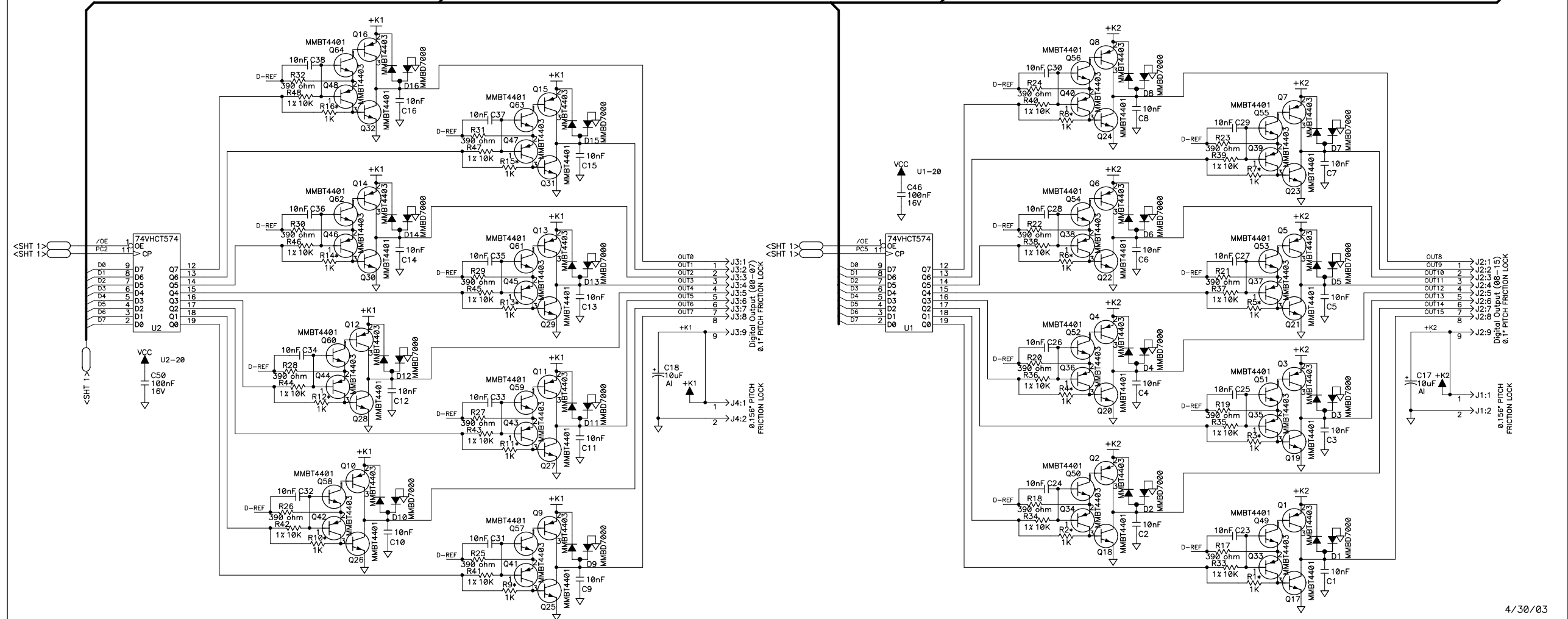
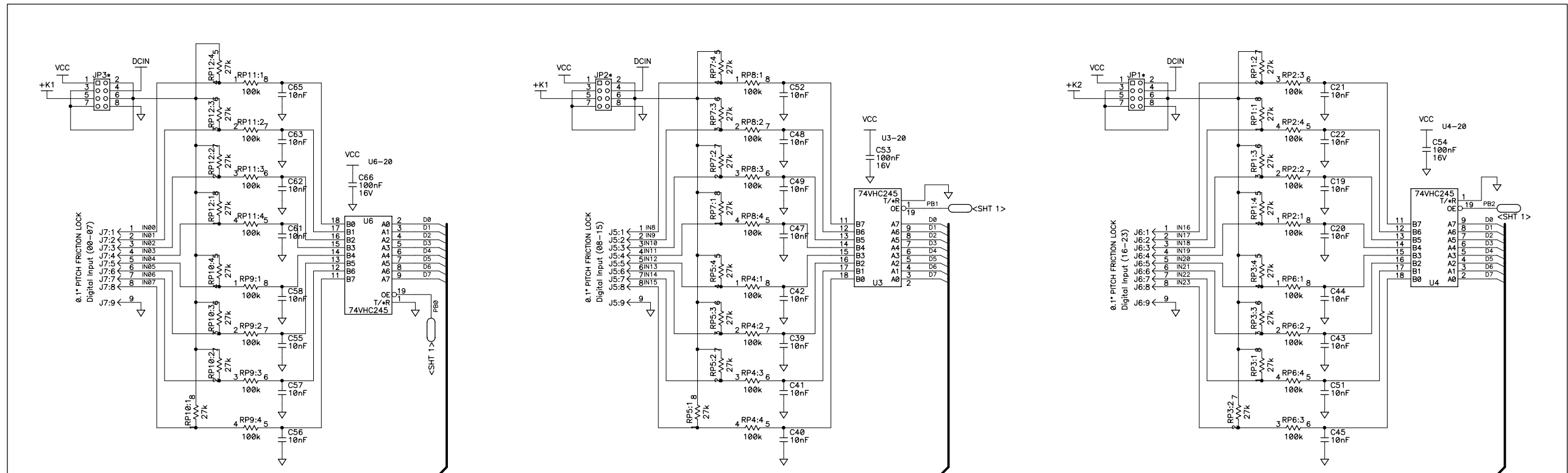
STUFFING CHART	
JUMPER SETTINGS	JP1:1-2, JP2: 1-2, JP3: 1-2
R1-16	UNINSTALLED, NEEDED FOR SINK ONLY MODIFICATION, 1K OHMS.
J10	UNINSTALLED

REF DES	DEVICE	VCC	+V	+5VREF	GND	AGND	FILTER CAP
U1	74VHCT574	20			10		C46
U2	74VHCT574	20			10		C50
U3	74VHC245	20			10		C53
U4	74VHC245	20			10		C54
U6	74VHC245	20			10		C66
U7	LM324		11			4	C71
U8	ST72260			28		27	C67, C80
U9	LM324		11			4	C78
U10	26C32	16			8		C73
U11	SP485	8			5		C74



APPEND THE FOLLOWING DOCUMENTS WHEN CHANGING THIS DOCUMENT:	DRAWING CONTENT:		TITLE	 2900 SPAFFORD ST. DAVIS, CA 95616 530-757-4616
	DRAWN BY: (INITIAL RELEASE) J. FENG			
	REVISED BY:		APPROVALS: INITIAL RELEASE	SIZE
	PROJECT ENGINEER: J.FENG		4/30/03	DWG NO.
	ENGINEERING MANAGER: R.MATTHEWS		4/30/03	<div style="font-size: 2em; font-weight: bold; border: 1px solid black; border-radius: 50%; padding: 5px; display: inline-block;">C</div>
SIGNATURES		DATE	SCALE	RELEASE DATE
			NONE	
				SHEET 1 OF 2

COPYRIGHT 2003, Z-WORLD, INC.



4/30/03

SIZE	DWG. NO.
<b>C</b>	<b>090-0175</b>
SCALE	REV LTR
NONE	A
SHEET	OF
2	2