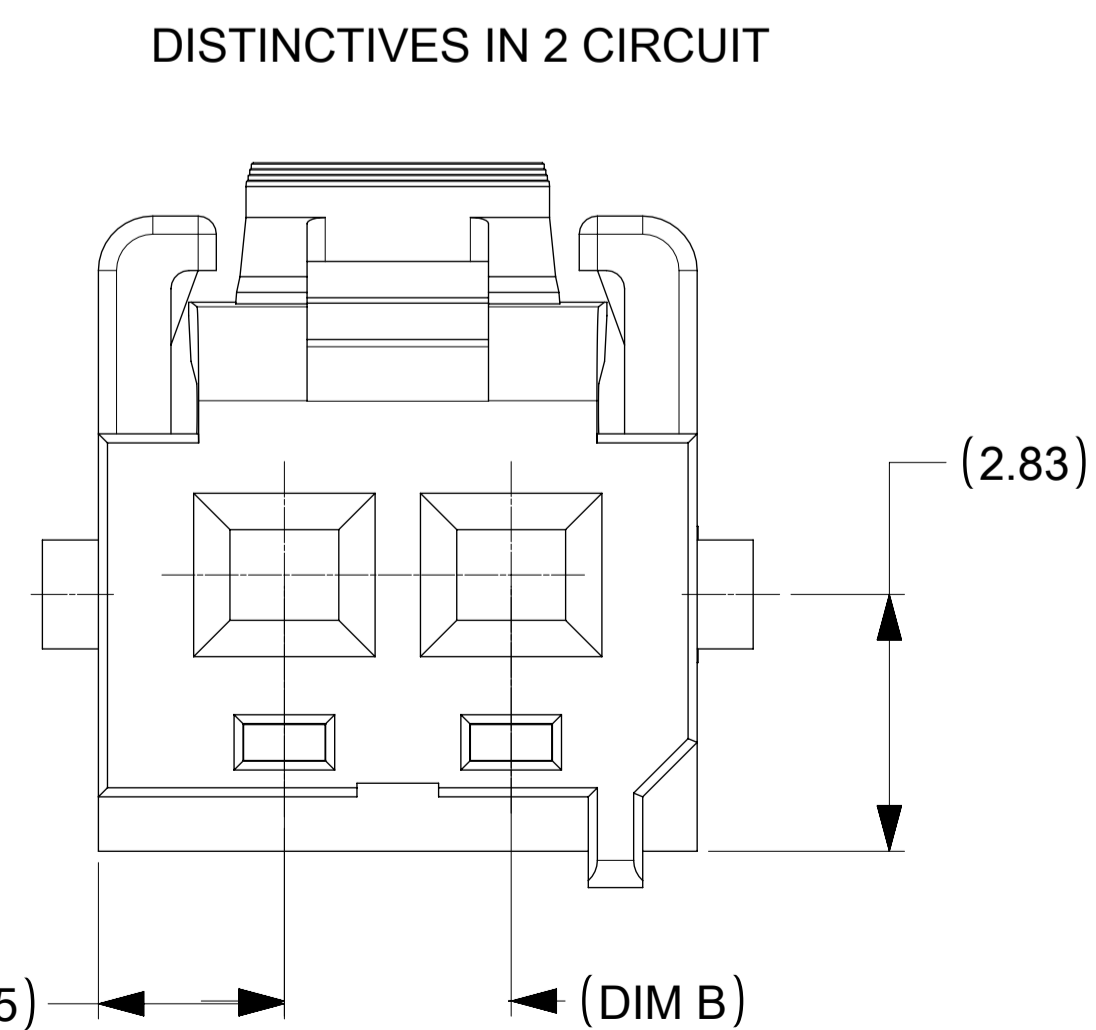
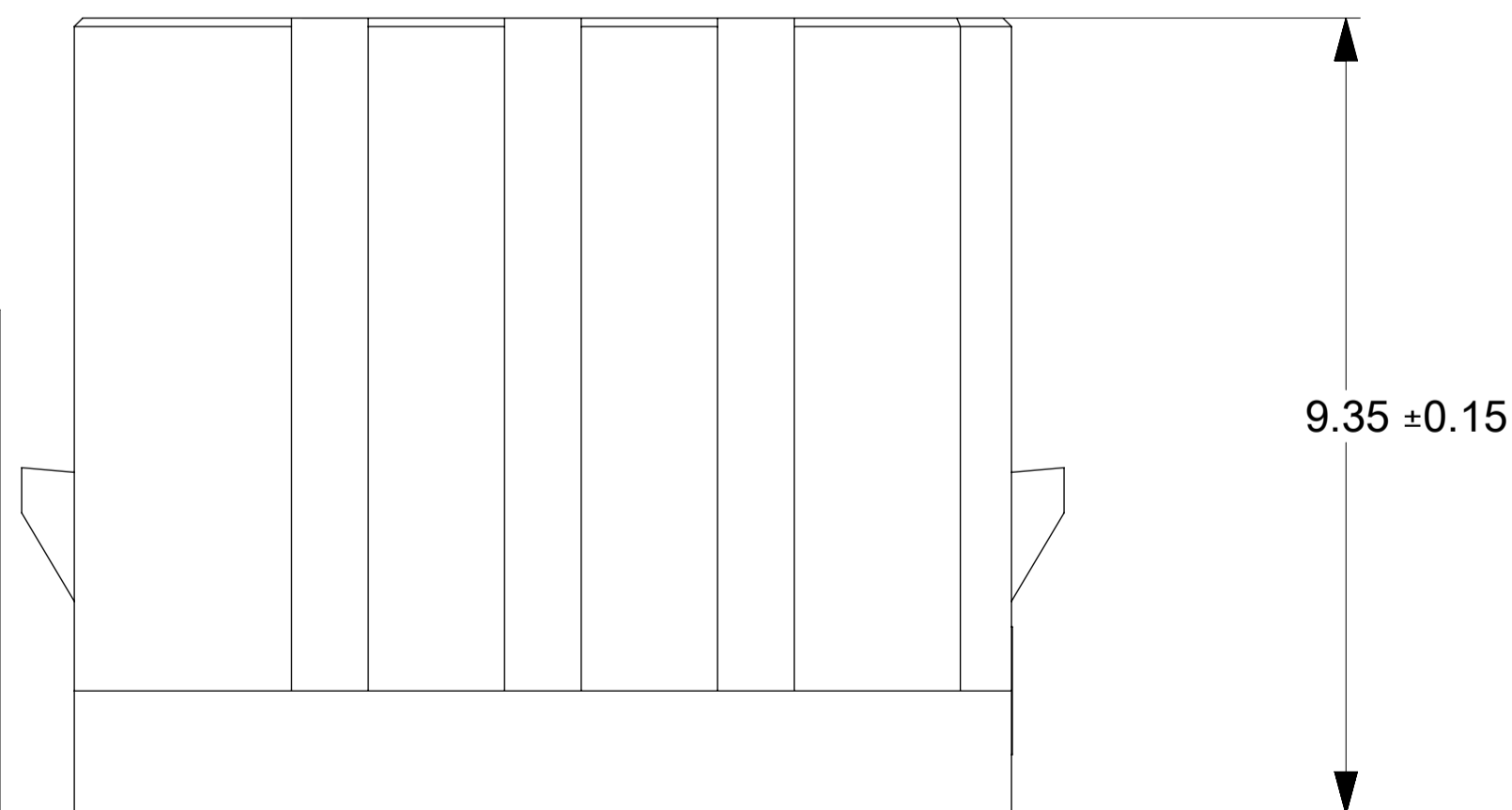
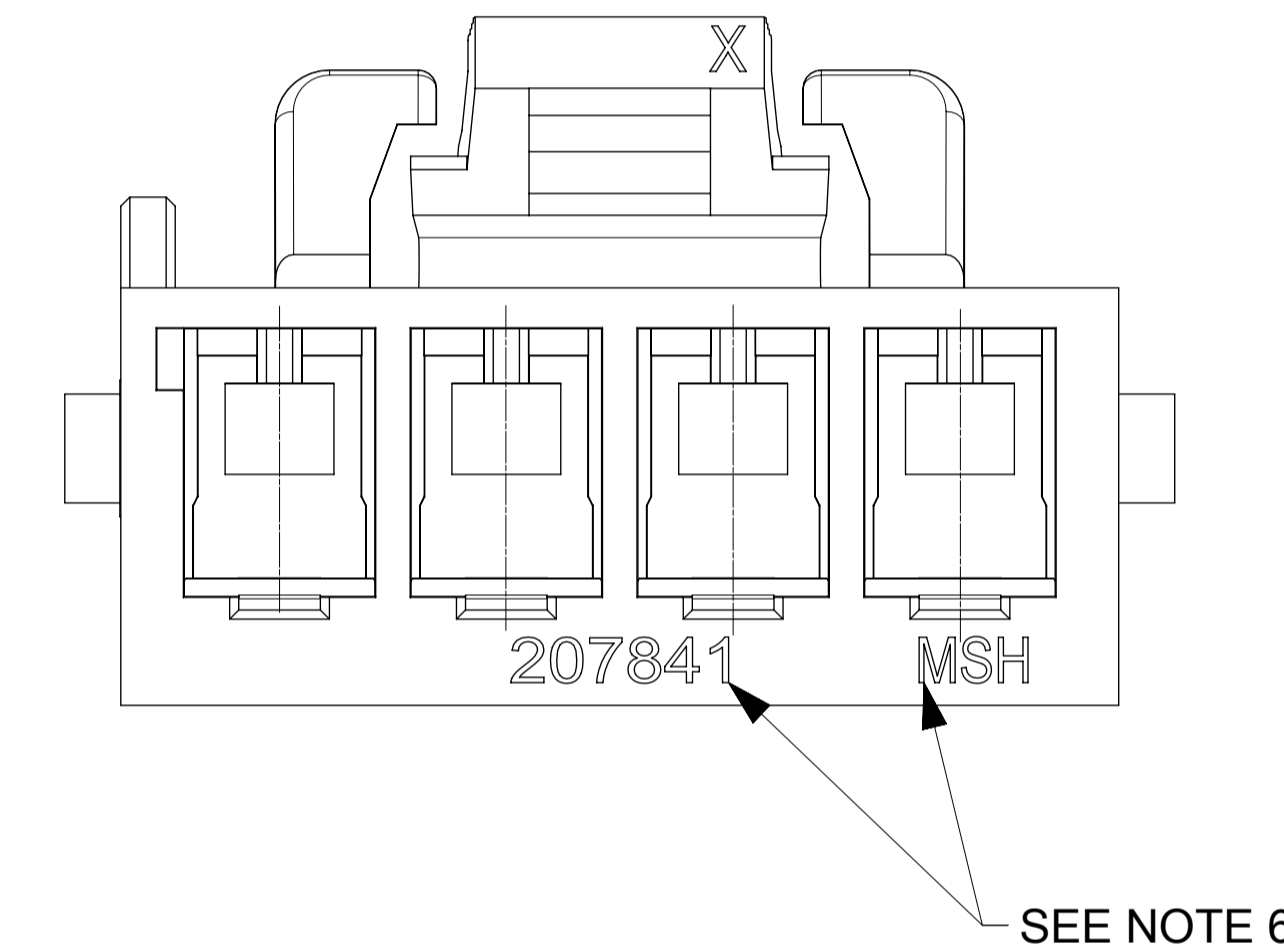
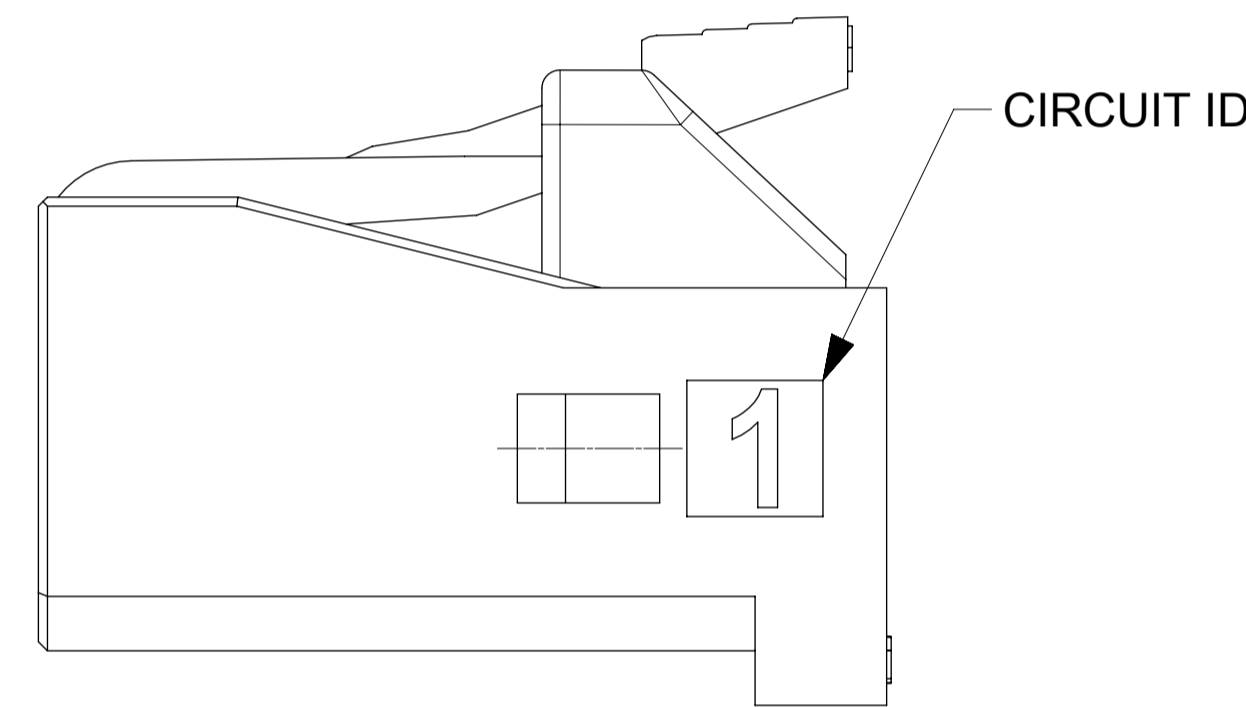
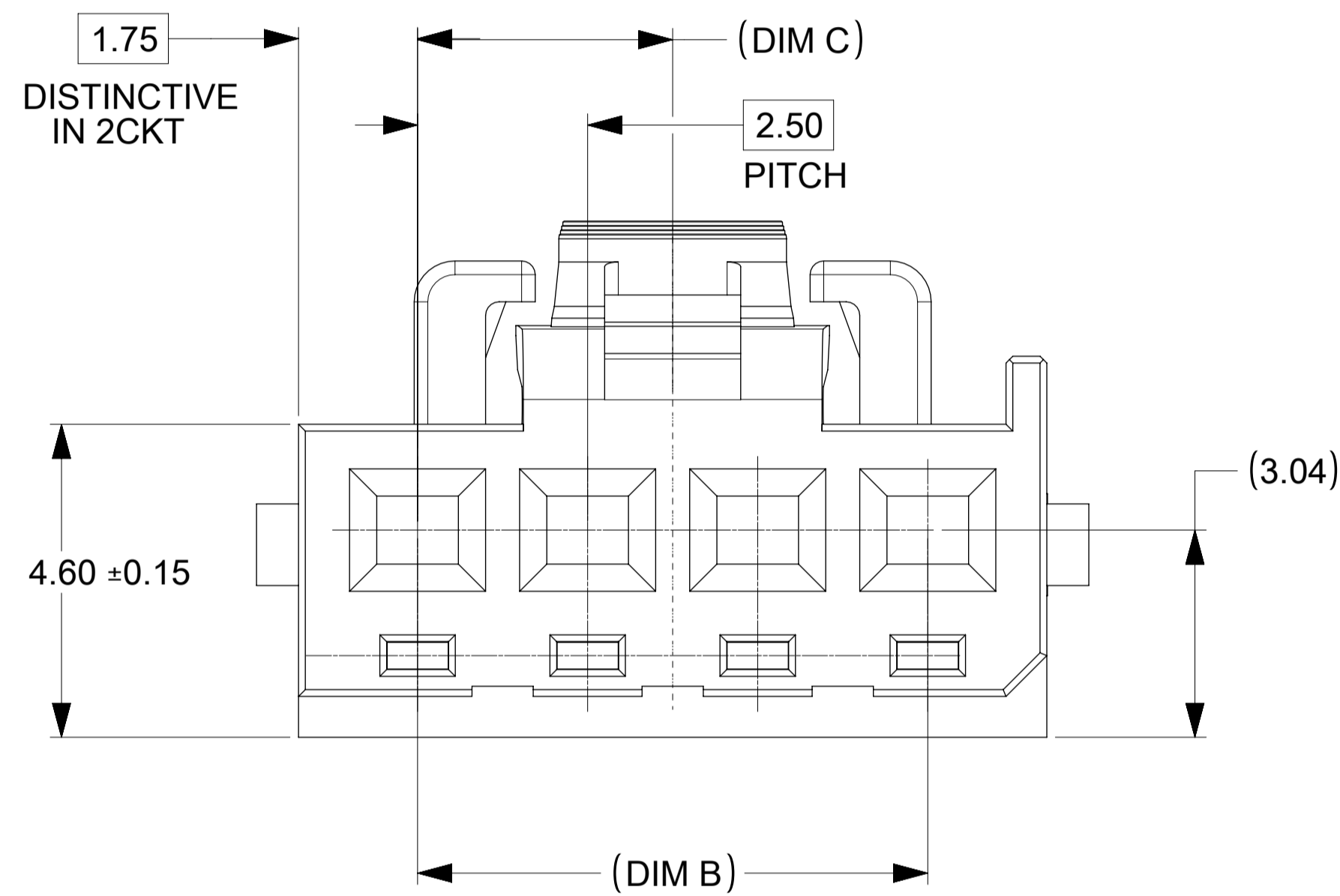


ISOMETRIC VIEW FOR 4 CIRCUIT



CKT	PART NUMBER	DIM.A	DIM. B	DIM. C
02	2078410002	6.61	2.50	1.25
03	2078410003	8.50	5.00	2.50
04	2078410004	11.00	7.50	3.75
05	2078410005	13.50	10.00	5.00
06	2078410006	16.00	12.50	6.25
07	2078410007	18.50	15.00	7.50
08	2078410008	21.00	17.50	8.75

- NOTES:**
- MATERIAL: PA66, UL 94V-0, COLOR-BLACK
 - PRODUCT SPECIFICATION: 2079020001-PS
 - PACKAGING SPECIFICATION: 2078410000-PK
 - COSMETIC SPECIFICATION: PS-45499-002 CLASS B
 - HOUSING ACCEPTS TERMINALS FROM 46626 SERIES
 - MOLEX LOGO AND SERIES ID

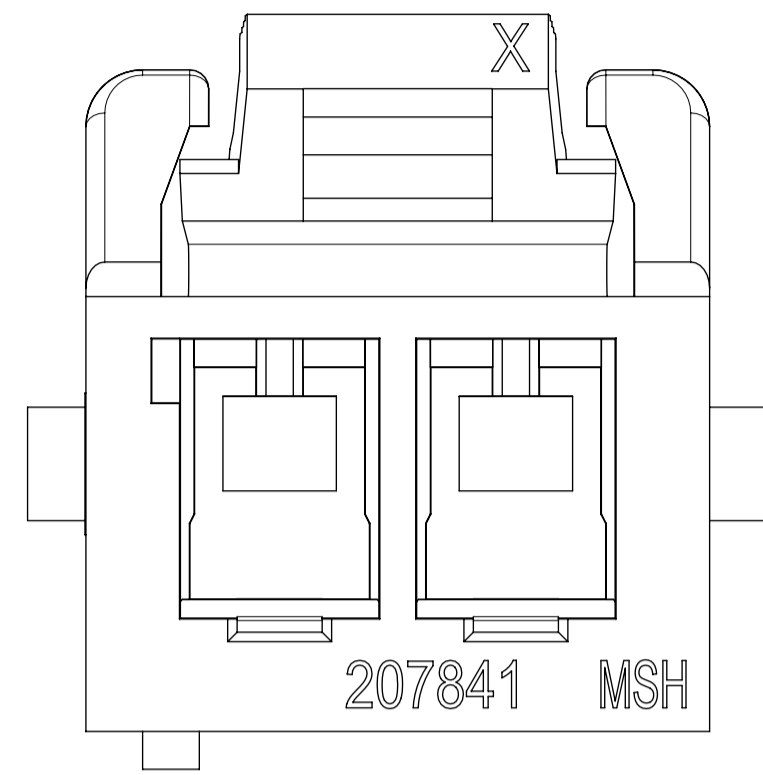
SYMBOLS	DIMENSION UNITS	SCALE	CURRENT REV DESC:		
▽ = 0	mm	10:1	EC NO: 706742		
▽ = 0	GENERAL TOLERANCES (UNLESS SPECIFIED)		DRWN: SHRUTJ	2022/04/20	
▽ = 0	ANGULAR TOL ± 0.5°		CHK'D: SHRUTJ	2022/05/13	
▽ = 0	4 PLACES	±	APPR: ISHWARG	2022/05/13	RECEPTACLE HOUSNG FOR KK PLUS 250
▽ = 0	3 PLACES	±	INITIAL REVISION:		
▽ = 0	2 PLACES	± 0.25	DRWN: SUDAYGUNAGI	2018/06/18	PRODUCT CUSTOMER DRAWING
▽ = 0	1 PLACE	± 0.3	APPR: ISHWARG	2019/02/20	DOCUMENT NUMBER
☒ = 0	0 PLACES	±	DRAWING		
■ = 0	DRAFT WHERE APPLICABLE MUST REMAIN WITHIN DIMENSIONS		THIRD ANGLE PROJECTION	SERIES	207841
▽ = 0			A1-SIZE	CUSTOMER	PSD 000 A2

DOCUMENT NUMBER	DOC TYPE	DOC PART	REVISION
2078410004-SD	PSD	000	A2

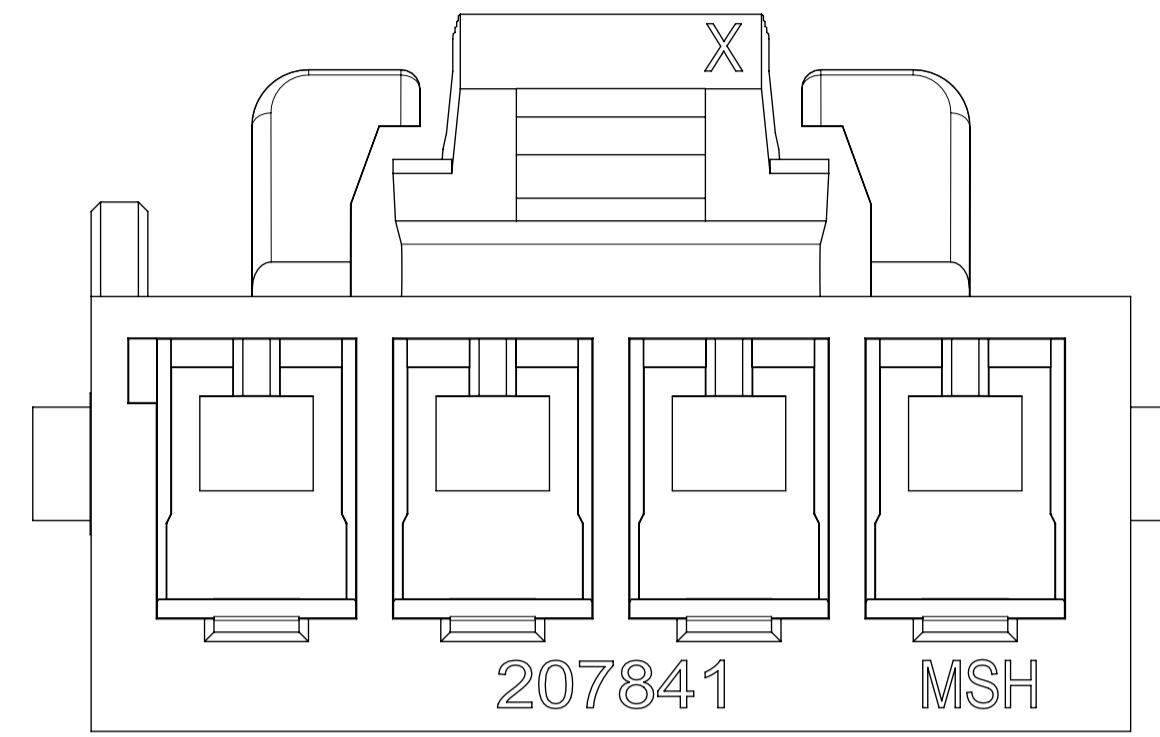
MATERIAL NUMBER	CUSTOMER	SHEET NUMBER
		1 OF 2

POLARIZATION

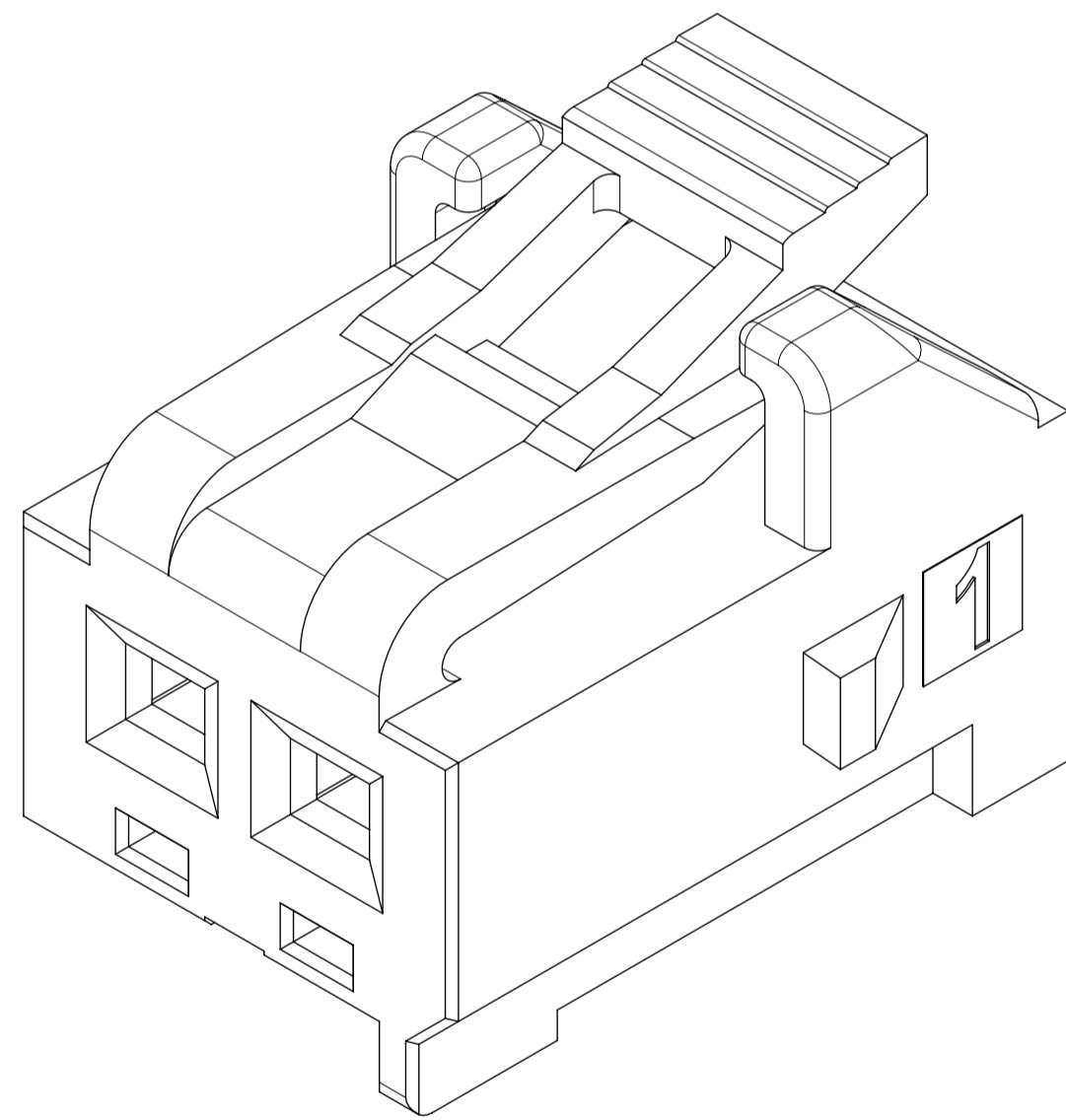
2 & 3 CKT



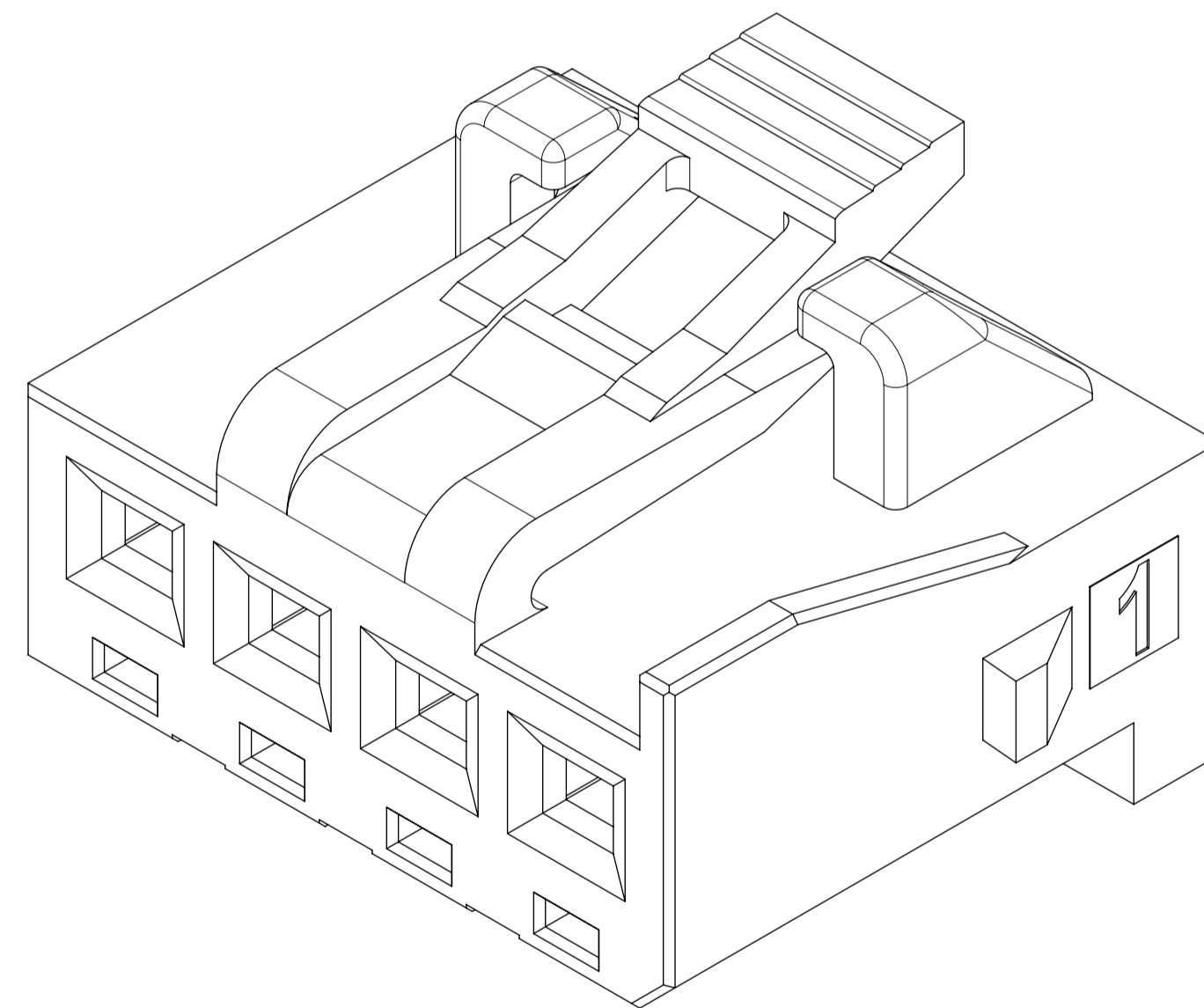
4 TO 10 CKT

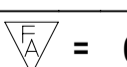
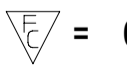
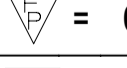
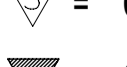

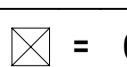

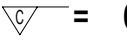



ISOMETRIC OF 2 & 3 CKT



ISOMETRIC OF 4 TO 10 CKT



SYMBOLS  = 0  = 0  = 0  = 0  = 0  = 0  = 0  = 0	THIS DRAWING CONTAINS INFORMATION THAT IS PROPRIETARY TO MOLEX ELECTRONIC TECHNOLOGIES, LLC AND SHOULD NOT BE USED WITHOUT WRITTEN PERMISSION		CURRENT REV DESC:		 RECEPTACLE HOUSING FOR KK PLUS 250					
	DIMENSION UNITS: mm SCALE: 10:1	GENERAL TOLERANCES (UNLESS SPECIFIED) ANGULAR TOL ± 0.5°		EC NO: 706742 DRWN: SHRUTJ 2022/04/20 CHK'D: SHRUTJ 2022/05/13 APPR: ISHWARG 2022/05/13				PRODUCT CUSTOMER DRAWING		
	4 PLACES ± 3 PLACES ± 2 PLACES ± 0.25 1 PLACE ± 0.3	DRAFT WHERE APPLICABLE MUST REMAIN WITHIN DIMENSIONS		THIRD ANGLE PROJECTION	DRAWING: A1-SIZE	SERIES: 207841	DOCUMENT NUMBER: 2078410004-SD	DOC TYPE: PSD	DOC PART: 000	REVISION: A2
	DOCUMENT STATUS: P1 RELEASE DATE: 2022/05/13 14:35:39		MATERIAL NUMBER: _____ CUSTOMER: _____		SHEET NUMBER: 2 OF 2					