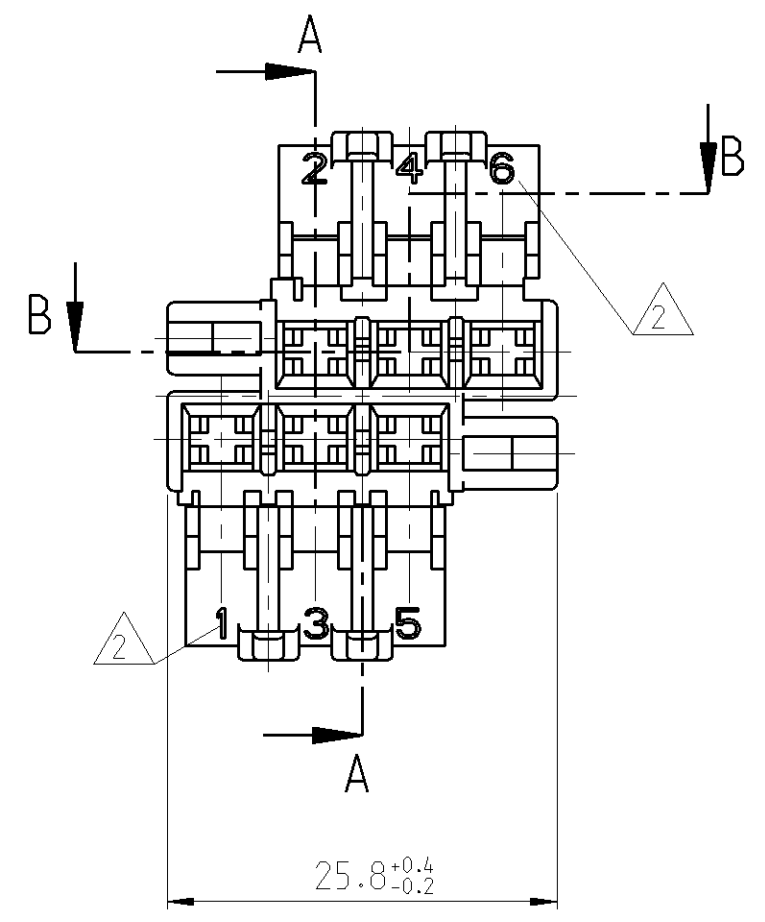
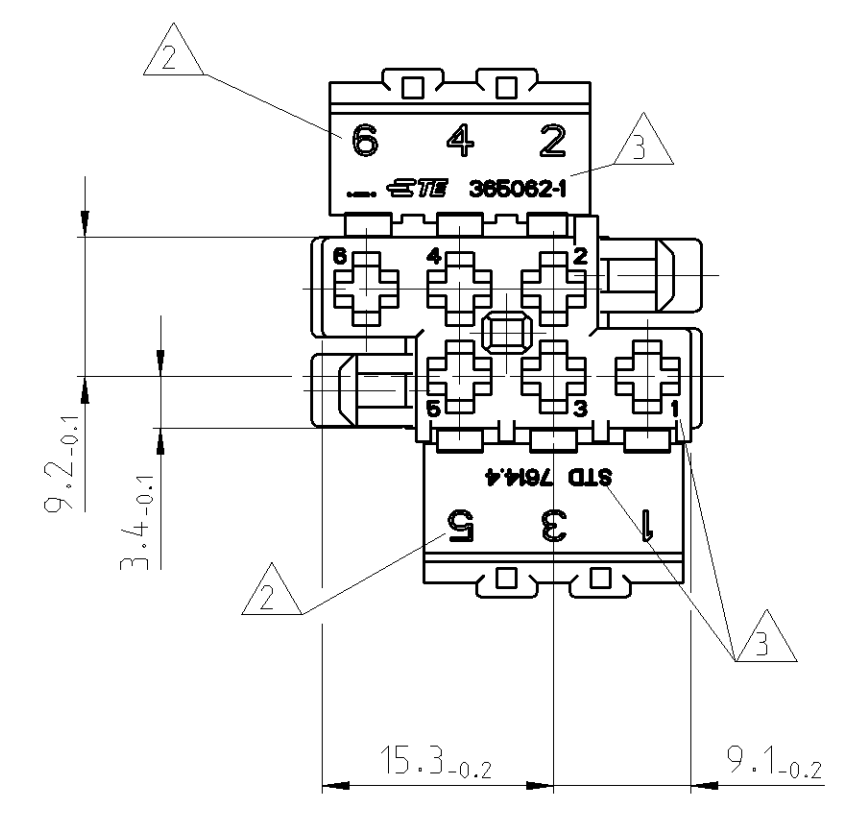
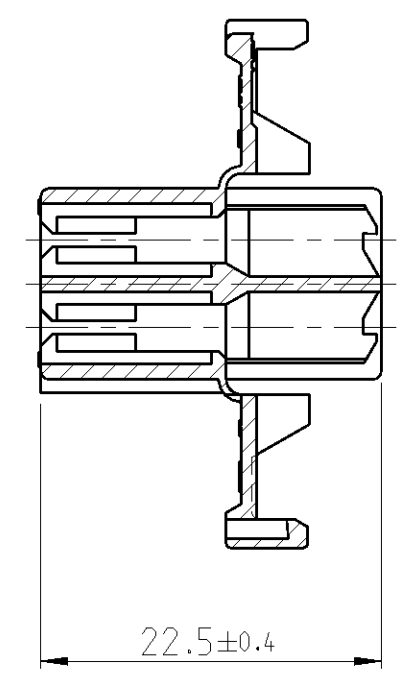


THIS DRAWING IS UNPUBLISHED. RELEASED FOR PUBLICATION 2011
 © COPYRIGHT 2011 ALL RIGHTS RESERVED.

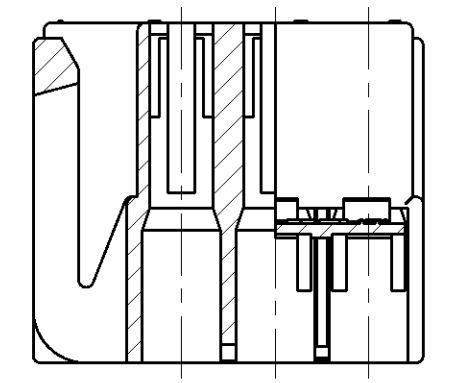
| LOC | DIST | REVISIONS | | | |
|-----|------|-------------|---------------|-----------|-------|
| P | LTR | DESCRIPTION | DATE | DWN | APVD |
| AL | 2 | E1 | ECR 12-004643 | 17APR2012 | XP RS |



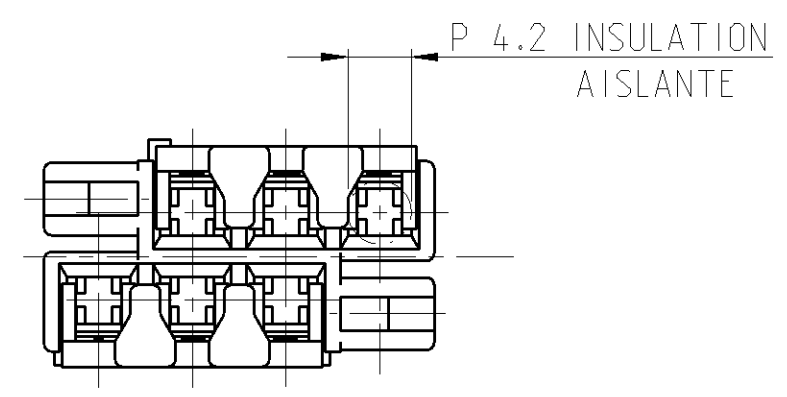
SECCION A-A
SECTION



SECCION B-B
SECTION



DETALLE CAJA CON BISAGRA CERRADA
HOUSING WITH FLAP



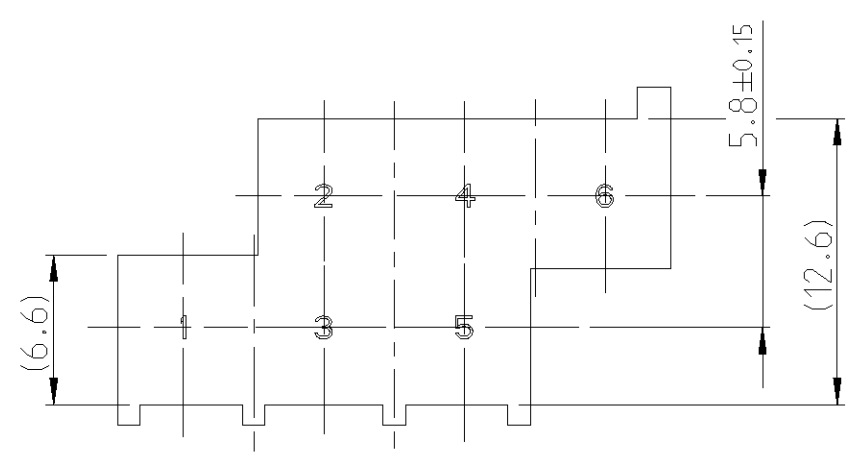
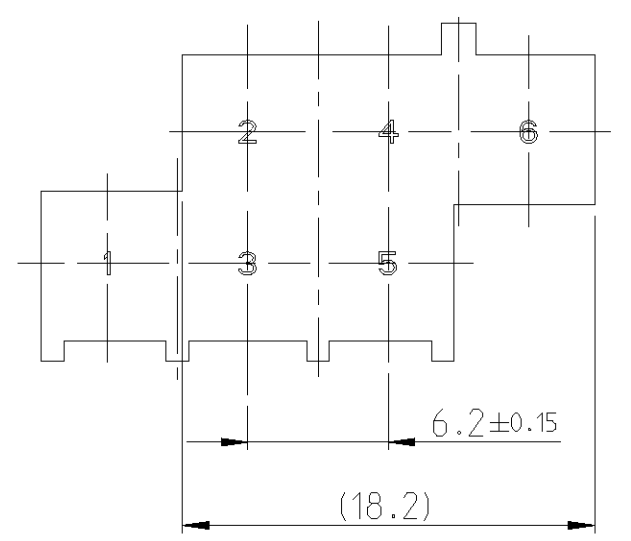
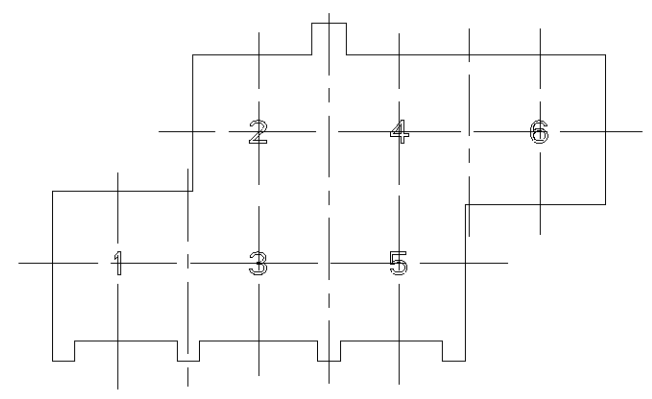
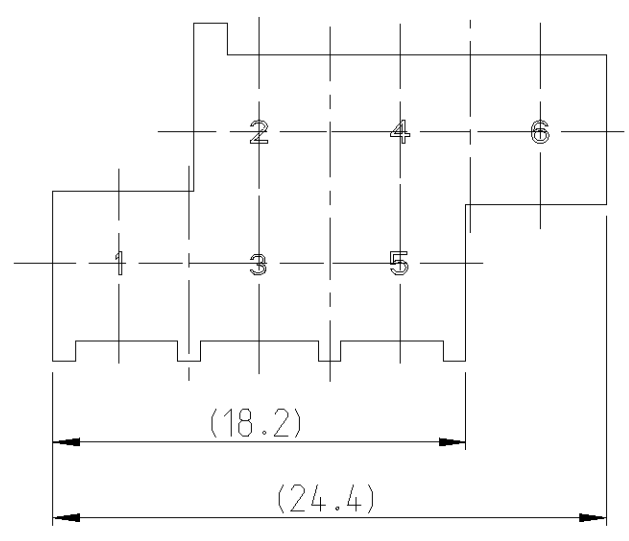
- 1 MATERIAL Y COLORES HAN DE ESTAR LIBRES DE CADMIO
MATERIAL AND COLORS ARE FREE OF CADMIUM
- 2 ALTURA LETRA 2
CHARACTER HEIGHT 2
- 3 ALTURA LETRA 1
CHARACTER HEIGHT 1
- 4 USAR CON 365061
FITTING WITH 365061
- 5 LAS PIEZAS DEBEN IR EMPAQUETADAS HERMETICAMENTE
Y SU CONTENIDO DE HUMEDAD DEBE SER 2.5±1%
PARTS MUST BE AIR TIGHT PACKAGED,
MOISTURE CONTENT MUST BE 2.5±1%

CODIGO 1
CODING

CODIGO 2
CODING

CODIGO 3
CODING

CODIGO 4
CODING



| CODE NO. | PART NO. | MATERIAL | COLOUR |
|----------|----------|----------|--------|
| CODE 4 | 365062-4 | PA 6.6 | YELLOW |
| CODE 3 | 365062-3 | PA 6.6 | BLACK |
| CODE 2 | 365062-2 | PA 6.6 | GREY |
| CODE 1 | 365062-1 | PA 6.6 | NATUR |

THIS DRAWING IS A CONTROLLED DOCUMENT.

| | | |
|------|------------|-----------|
| DWN | R. ULLRICH | 19OCT1984 |
| CHK | J. PASCUAL | 15JUN1993 |
| APVD | L. RATILO | 15JUN1993 |

TE Connectivity

6 POS. HOUSING FOR JUNIOR TIMER CONTACT

| | | | | | | | |
|-------|-----|-----------|-------|-------------|----------|---------------|----|
| SIZE | A2 | CAGE CODE | 00779 | DRAWING NO. | C-365062 | RESTRICTED TO | - |
| SCALE | 2:1 | SHEET | 1 | OF | 1 | REV | E1 |

SEE PART LIST

CUSTOMER DRAWING