

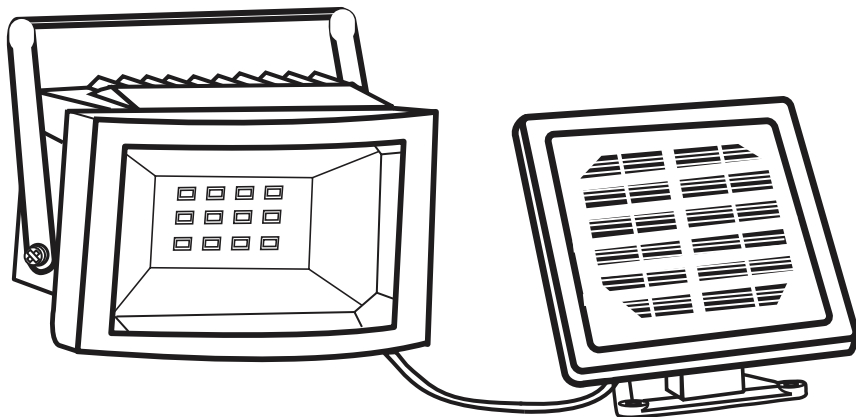
*energy-saving*

# SOLAR POWERED FLOOD LIGHT

Model #: 40330/40329

Perfect for flags, signs, gardens, driveways, carports, garages, entrance doors decks, porches, or any large outdoor area where lighting is needed.

## ASSEMBLY & OPERATING INSTRUCTIONS



**IMPORTANT: READ ALL INSTRUCTIONS CAREFULLY BEFORE USE**

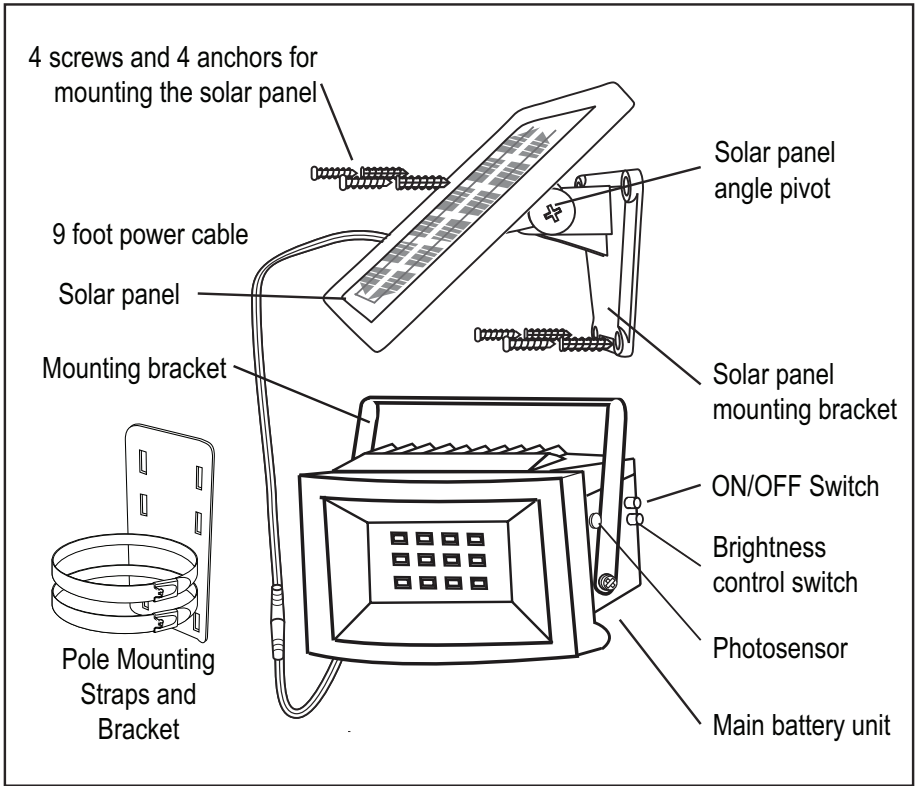
### ABOUT YOUR SOLAR FLOOD LIGHT

Your MAXSA Solar Powered Flood Light converts sunlight into electricity during the day, enabling the 12 LED lights to turn on automatically at night. With this light, walking into the dark will no longer be a problem. You can also save the environment by conserving energy with these energy-efficient solar powered LED lights.

Your Solar Powered Flood Light can light for up to 5 hours at full power and 10 hours at half power / brightness when the battery is fully charged. The 3 sealed rechargeable AA Ni-MH batteries included with this product should last for 3-5 years before they need to be replaced.

## INCLUDED PARTS:

Carefully remove and identify all the parts from their protective packaging.



## HOW TO INSTALL YOUR SOLAR FLOOD LIGHT

### MOUNTING TO A WALL, ROOF OR SIGN

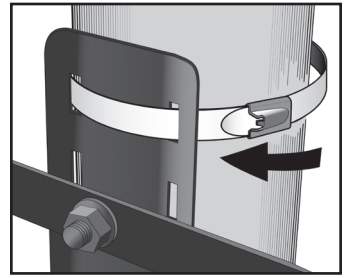
1. Remove the mounting bracket from your Solar Powered Flood Light by taking out the two screws on the left and right sides of the main body.
2. Take the other two screws supplied with this product and install the mounting bracket onto a solid surface. Put the mounting bracket and the main body back together by using the two screws taken out in Step 1.



## MOUNTING TO A FLAGPOLE

To mount on a flagpole, position the flagpole mounting bracket supplied against the flagpole and run the two supplied metal bands through the bracket as shown.

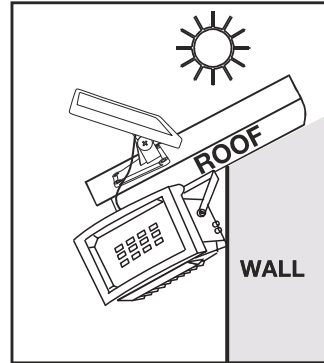
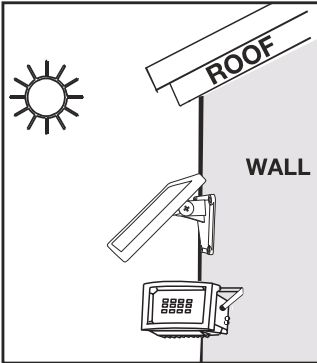
\*CAUTION: Do not tighten the metal bands until your Solar Flood Light is where you want it as they cannot be re-opened\* Put the bracket up to the pole and close the metal bands around the pole, making sure the bands are pulled tight so the light is firmly secured.



## TO MOUNT THE SOLAR PANEL TO A WALL OR ROOF

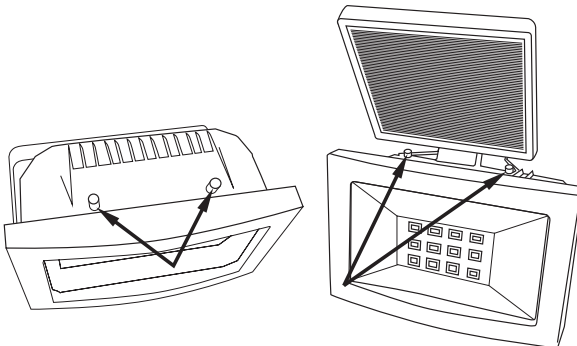
The solar panel can be mounted to a wall or roof, set on the ground, or attached directly to the light.

1. Use the two wood/sheet metal screws supplied to mount the solar panel onto a solid surface. You can adjust the angle of the solar panel by gently rotating it to a different locking position. Remember to mount the panel facing South, which will maximize the direct sunlight exposure.

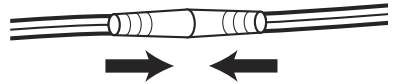


## TO MOUNT THE SOLAR PANEL TO THE LIGHT

You will find two bolts protruding from the body of the light. Line up these bolts with the two mounting holes on the bottom side of the trapezoid that makes up the mounting base of the solar panel. Push the solar panel base onto these bolts until it is against the surface of the light. Use the included lock-washers and nuts to tighten the solar panel in place.



Once you have identified all parts, connect the solar panel to your Solar Powered Flood Light by plugging the 9 foot cord into the cord attached to the bottom of the Solar Flood Light. Firmly turn and twist the cords while pressing together for a tight connection.



## BEFORE THE FIRST TIME USE OF YOUR SOLAR FLOOD LIGHT

1. Charge the batteries without activating the unit. Turn the power button on the main body of your Solar Flood Light to the OFF position.
2. Leave the button in this position for 3 days while the solar panel is in direct sunlight. This will ensure that the batteries in your Solar Powered Flood Light have a full charge prior to normal operation.
3. After the initial 3 day charge of your Solar Flood Light, press the button on the main body to the ON position to make the light turn on automatically after sundown. Set the button to the OFF position to turn on the light manually. Your Solar Flood Light is now ready for use. Depending on how long you prefer the light to last, you can double the light duration and reduce the brightness by pushing the brightness control switch.

## MAINTENANCE TIPS

The LED lights in your Solar Flood Light will last up to 30,000 hours and should never need replacement.

To keep your Solar Flood Light looking new, keep the lens free of dust and deposits by wiping occasionally with a dry cloth or with warm soapy water if necessary. A dirty solar panel will not allow the batteries to fully charge and this will shorten the life of the batteries and may cause the light to malfunction.

## STORAGE

If you wish to store your light indoors for more than two or three days, press the power button to the OFF position to prevent damaging the batteries. Battery capacity may be reduced during prolonged storage. For optimal performance, we recommend that you do not store your Solar Flood Light for prolonged periods of time.

## CHOOSING A LOCATION FOR YOUR SOLAR FLOOD LIGHT

The Solar Flood Light is ideal for signs, flags, gardens, backyards, driveways, carports, garages, entrance doors, decks, porches, sheds, or any large outdoor area where you need extra light!

Your Solar Powered Flood Light comes complete with a solar panel and a 9-foot power cord. For optimum sun exposure and longer light output, place the solar panel (attached to the main body) where it will receive 6-8 hours of direct sunlight per day. Placing the panel in a shaded location or behind a glass window will not allow the batteries to charge fully, reducing the number of hours the light will operate per evening.

The Solar Powered Flood Light is equipped with a light-sensitive trigger to automatically turn the

light on at dusk. For best performance, ensure that the Flood Light is not placed near night time light sources such as porch lighting and street lighting.

## TROUBLESHOOTING

PROBLEM	POSSIBLE SOLUTIONS
Light will not switch on.	<ul style="list-style-type: none"><li>• Ensure that the power button on the main body has been turned to the ON position.</li><li>• Ensure that the batteries have been fully charged in direct sunlight for 3 sunny days-refer to the “Before First Use of Your Solar Security Light” section on page 3. Artificial light will not charge the battery. It must charge in sunlight.</li><li>• Check to see that the solar panel is facing South and that it receives 6-8 hours of sunlight per day, enabling the batteries to fully charge.</li><li>• Check to see that the flood light is not near night time light sources such as street lights</li></ul>
Light quickly flashes on and off.	<ul style="list-style-type: none"><li>• Battery charge may be low. Turn the power switch to the OFF position and charge the batteries for three (3) sunny days, ensuring the solar panels have been placed in direct sunlight.</li></ul>
Light is not as bright as normal	<ul style="list-style-type: none"><li>• Battery charge may be low. Turn the power button to the OFF position and charge the batteries for three (3) sunny days, ensuring the solar panels have been placed in direct sunlight.</li><li>• The brightness control switch might be set to HALF mode, which is designed to use less power, but keep the light illuminated for a longer time period.</li><li>• Check to make sure solar panel is facing South, and that it receives 6-8 hours of sunlight per day.</li></ul>

## 1 YEAR LIMITED WARRANTY

This Solar Flood Light is warranted against faulty material and /or workmanship for a period of 1 year from date of original purchase. The obligation of the manufacturer, under this warranty, is limited to servicing and replacing defective parts when the unit is returned to MAXSA Innovations, freight pre-paid during the warranty period. To obtain warranty repair, the purchase receipt should be returned with the product.

This warranty becomes void on any unit which has been tampered with, damaged by accident, or damaged otherwise by improper operation. This guarantee is in addition to any guarantees implied by State or Federal Legislation.

## EXTENSION CORDS

A 15-foot extension cord is available for this product for \$14.95. This extension cord allows the solar panel to be placed higher or further away from the security light to ensure maximum direct sunlight exposure.

For more information, please call 703-495-0661, or contact [orders@maxsainnovations.com](mailto:orders@maxsainnovations.com).

Please save these instructions for future reference.

MADE IN CHINA

---

The logo for MAXSA Innovations, featuring the word "MAXSA" in a bold, sans-serif font. The letter "A" is stylized with a thick horizontal bar extending to the right, ending in a registered trademark symbol (®).

**MAXSA Innovations, LLC**  
8412 Cathedral Forest Drive  
Fairfax Station, Va 22039  
Tel: 703-495-0661

**[www.maxsainnovations.com](http://www.maxsainnovations.com)**  
**[info@maxsainnovations.com](mailto:info@maxsainnovations.com)**