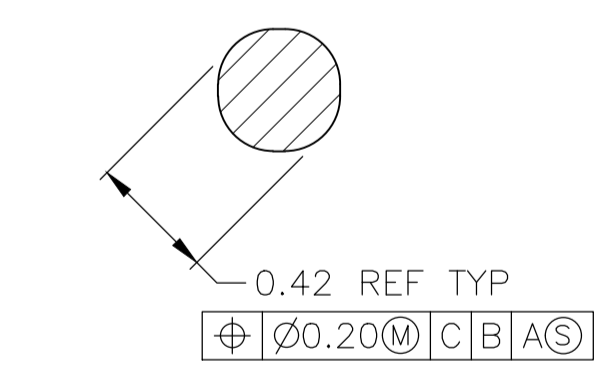
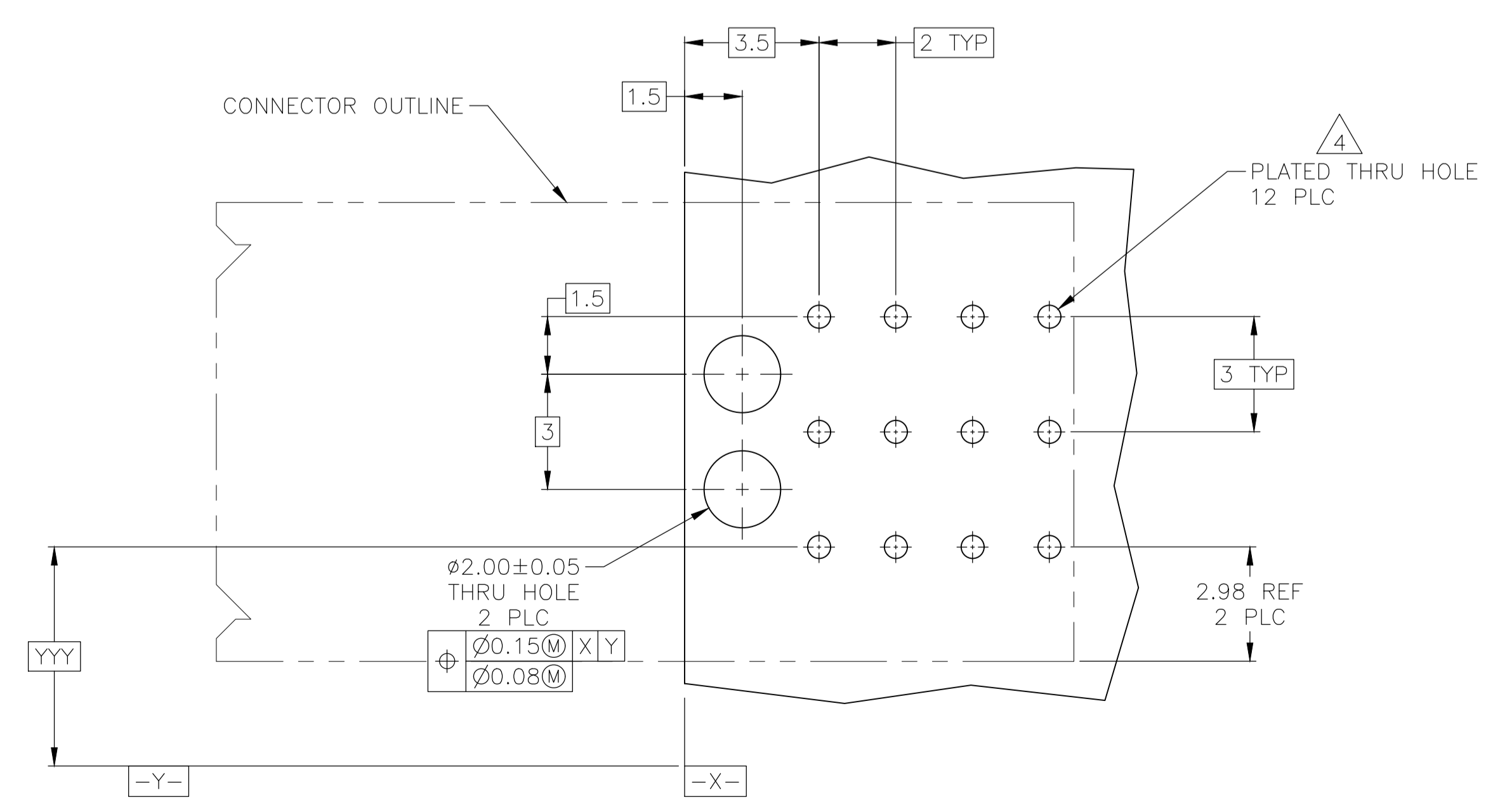
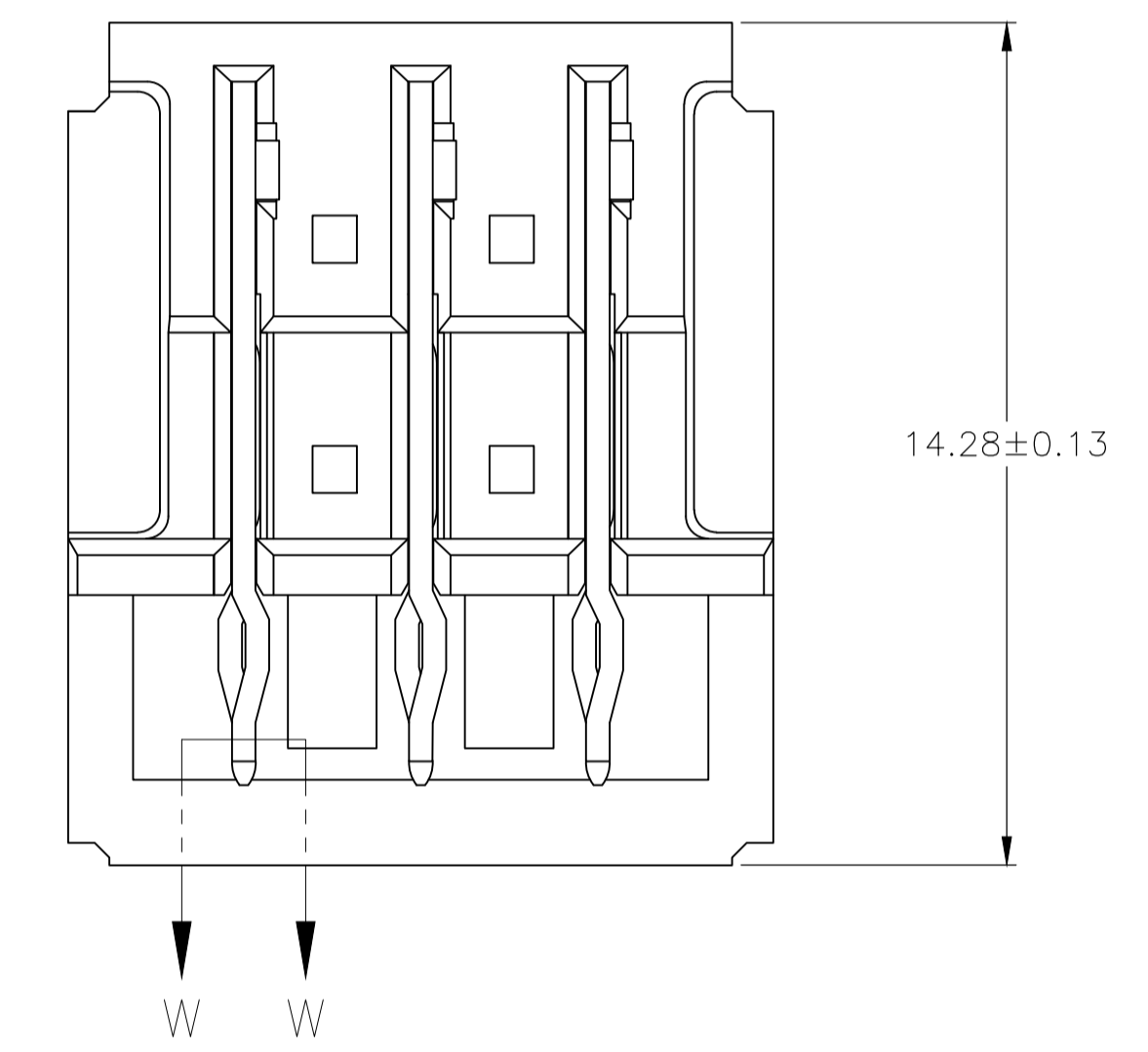


- 1 HOUSING: POLYESTER, GRAY, UL94 V-0.
CONTACT: HIGH CONDUCTIVITY COPPER ALLOY.
- 2 FINISH: IN ACCORDANCE WITH PRODUCT SPECIFICATION 108-1651, GOLD PLATING OR EQUIVALENT PLATING ON PRODUCT CONTACT MATING AREA, AND MATTE TIN PLATING ON COMPLIANT PIN AREA, ALL OVER MATTE NICKEL UNDERPLATED. DETAIL PLEASE REFER TO PRODUCT SPECIFICATION 108-1651.
- 3 CONTACT LUBRICATION WITH BELCORE APPROVED LUBRICANT. TECHNICAL REFERENCE: TR-NWT-001217 ISSUE 1, SEPT 1992.
- 4 REFERENCE APPLICATION SPEC 114-1103 FOR RECOMMENDED PLATED THRU HOLE DIAMETER AND PLATING THICKNESS.



SECTION W-W
SCALE 40:1

1	A	B & C	3	5120938-2
2	B & C	A	3	5120938-1
FINISH	POSITIONS LOADED WITH 10.90 REF CONTACTS	POSITIONS LOADED WITH 7.68 REF CONTACTS	NO OF LOADED POSITIONS	PART NUMBER
THIS DRAWING IS A CONTROLLED DOCUMENT.		DIMENSIONS: mm TOLERANCES UNLESS OTHERWISE SPECIFIED: 0. PLC ± - 1. PLC ± 0.13 2. PLC ± 0.13 3. PLC ± - 4. PLC ANGLES ± -		CUSTOMER DRAWING SCALE 8:1 SHEET 1 OF 1 REV B2
MATERIAL: 1 FINISH: 2, 3		WEIGHT: - SIZE: A1 CAGE CODE: 00779 DRAWING NO: 5120938		Tyco Electronics Corporation Harrisburg, PA 17105-3608 NAME: R. PATTERSON PRODUCT SPEC: 108-1651 APPLICATION SPEC: 114-1103