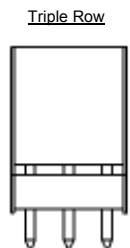
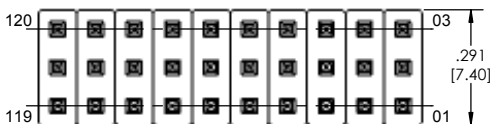
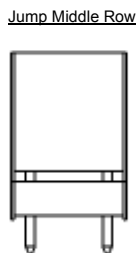
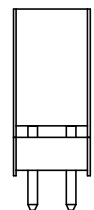
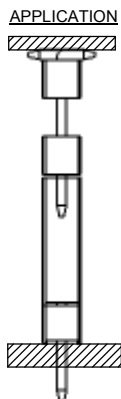
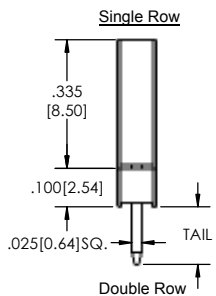
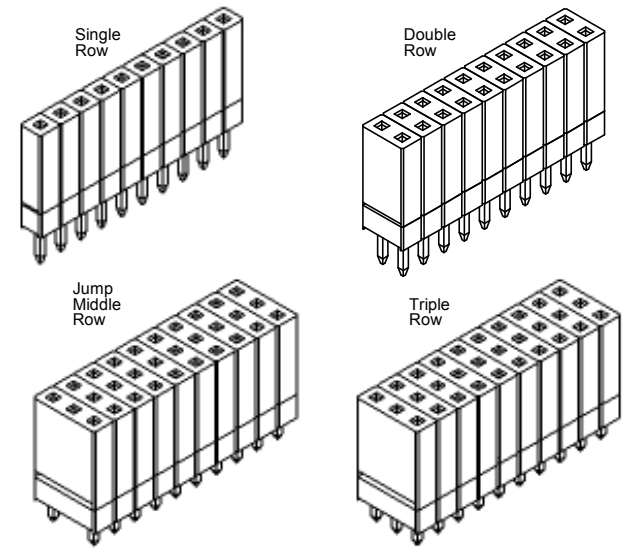
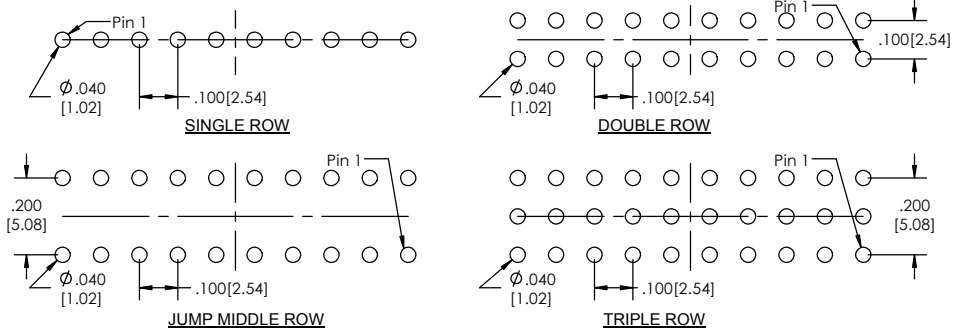


Recommended P.C. Board Layout
SCALE 4:1



BSSQ-1 **XX** - **X** - **XX** - **XX** - **XX** - **XXX** - **LF**
(A) (B) (C) (D) (E) (F) (G)

- A. Pins Per Row - 1 through 40
- B. Row Specification
 - S= Single Row
 - D= Double Row
 - J= Jump Middle Row
 - T= Triple Row
- C. Pin Options - See Pin Options Below
- D. Plating Options - See Plating Options Below
- E. Lock Tight "LT" (Optional)
 - Leave Blank if not needed
 - LT= With
- F. Polarized Position
 - Leave Blank if not needed
 - If Required, Specify Empty Pin Position
 - e.g. 012 for Pin 12

- Mates With:
- BSTC TSHCR
 - BSTCM TSHCRE
 - BSTCR TSHCRSM
 - BSTCRSM TSHR
 - BSTS TSHRE
 - LBSTCM TSHS
 - LTSHCR TSHSCM
 - LTSHCRE TSHSM
 - LTSHR ULTSHSM
 - LTSHRE ULTSHC
 - LTSHSM ULTSHCR
 - TSHC

G. Lead Free
Specifications:
Insertion Depth: .145(3.68mm) to .250(6.35mm)
Insertion Force- Per Contact- H Plating
6oz. (1.67N) avg with .025(0.64mm) sq. pin
Withdrawal Force- Per Contact- H Plating:
5oz. (1.39N) avg with .025(0.64mm) sq. pin
Current Rating: 3.0 Ampere
Insulation Resistance: 1000M Ohms Min.
Dielectric Withstanding: 600V AC
Contact Resistance: 20M Ohms Max.
Operation Temperature: -40°C to +105°C
Max. Process Temperature
Peak: 260°C up to 20 secs.
Process: 230°C up to 60 secs.
Wave: 260°C up to 6 secs.
Manual Solder: 350°C. up to 5 secs.

Pin Options		
Tail Length	Body Height	
0.090	2.29mm	02
0.290	7.37mm	04
0.490	12.47mm	0435 11.05mm 06
0.190	4.83mm	08
0.390	9.91mm	0.535 13.59mm 10
0.090	2.29mm	12
0.290	7.37mm	0.635 16.13mm 14
0.190	4.83mm	0.735 18.67mm 16

Materials:
Contact Material: Phosphor Bronze
Insulator Material: Nylon 6T
Plating: Au or Sn over 50µ" (1.27) Ni

Plating options	
G	-10µ Gold on Contact Area/ Flash on Tail
T	-Matte Tin all Over
GT	-10µ Gold on Contact Area/ Matte Tin on Tail
H	-30µ Gold on Contact Area/ Matte Tin on Tail
F	-Gold Flash over Entire Pin
FT	-Gold Flash on Contact Area/ Matte Tin on Tail

Tails may be clipped to achieve specific dimensions.
Products cut to specific sizes are uncancelable/nonreturnable.
Parts are subject to change without notice.



PROPRIETARY AND CONFIDENTIAL
THE INFORMATION CONTAINED IN THIS DRAWING IS THE SOLE PROPERTY OF Major League Electronics. ANY REPRODUCTION IN PART OR AS A WHOLE WITHOUT THE WRITTEN PERMISSION OF Major League Electronics IS PROHIBITED.

UNLESS OTHERWISE SPECIFIED:		NAME		DATE	
DIMENSIONS ARE IN INCHES		DRAWN		EOW	
TOLERANCES:		CHECKED		GWE	
ONE DECIMALS ±.100		ENG APPR.			
TWO DECIMAL ±.100		MFG APPR.			
THREE DECIMAL ±.005		ADDRESS:		2533 Centennial Blvd.	
FOUR DECIMAL ±.002		MATERIAL		Jeffersonville, In 47130	
NEXT ASSY USED ON		FINISH		Phone: 812-670-4174	
APPLICATION		DO NOT SCALE DRAWING		Fax: 812-670-4175	
		E-Mail: mle@mlelectronics.com		TITLE: BSSQ-1 Series	
				SIZE DWG. NO.	
				C	
				REV C	
				SCALE: 4:1	
				SHEET 1 OF 1	

