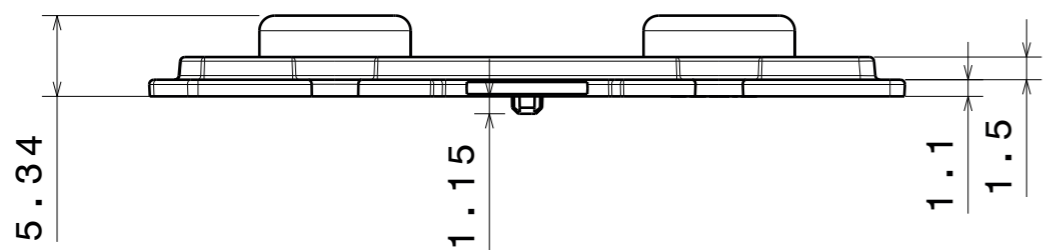
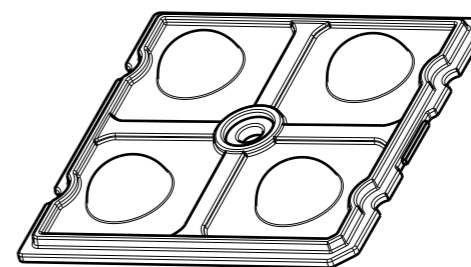


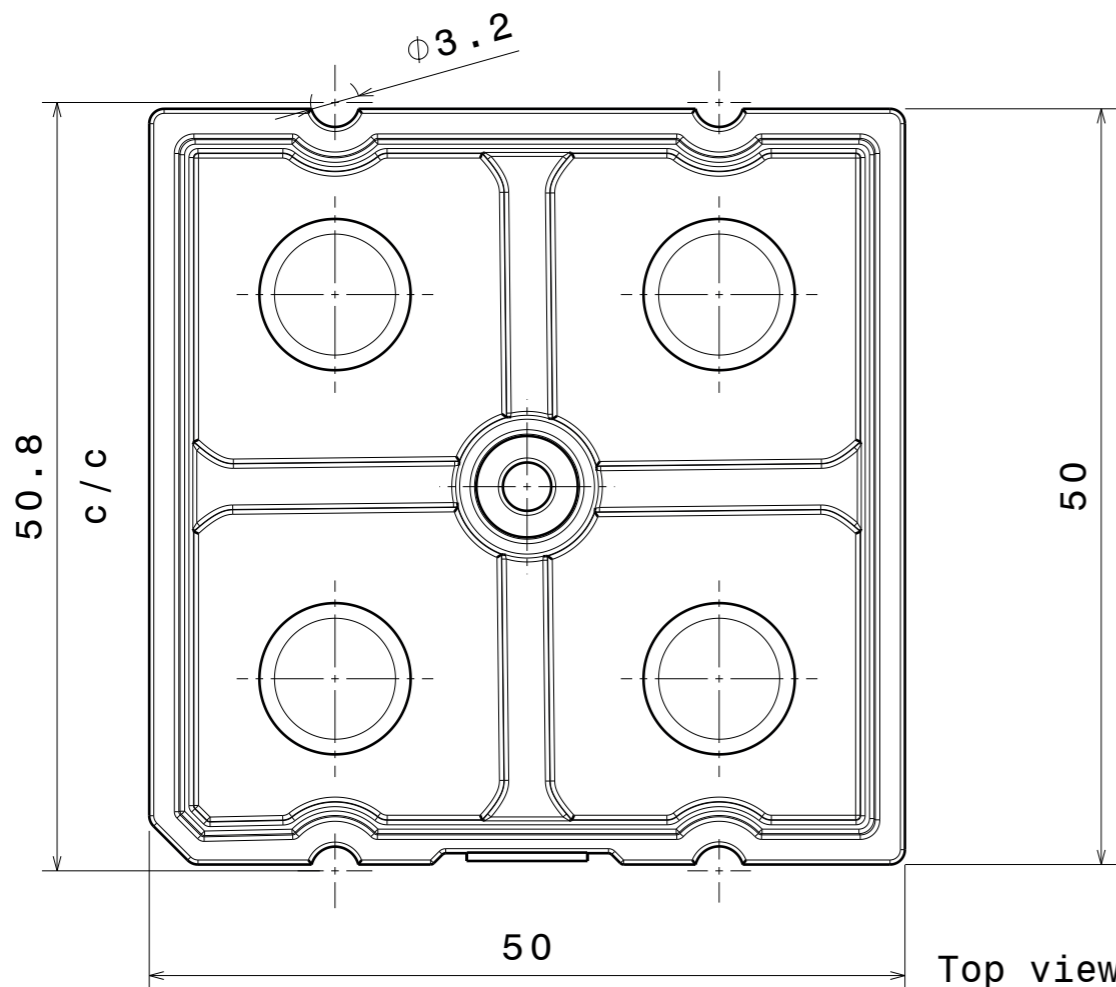
H G F E D C B A



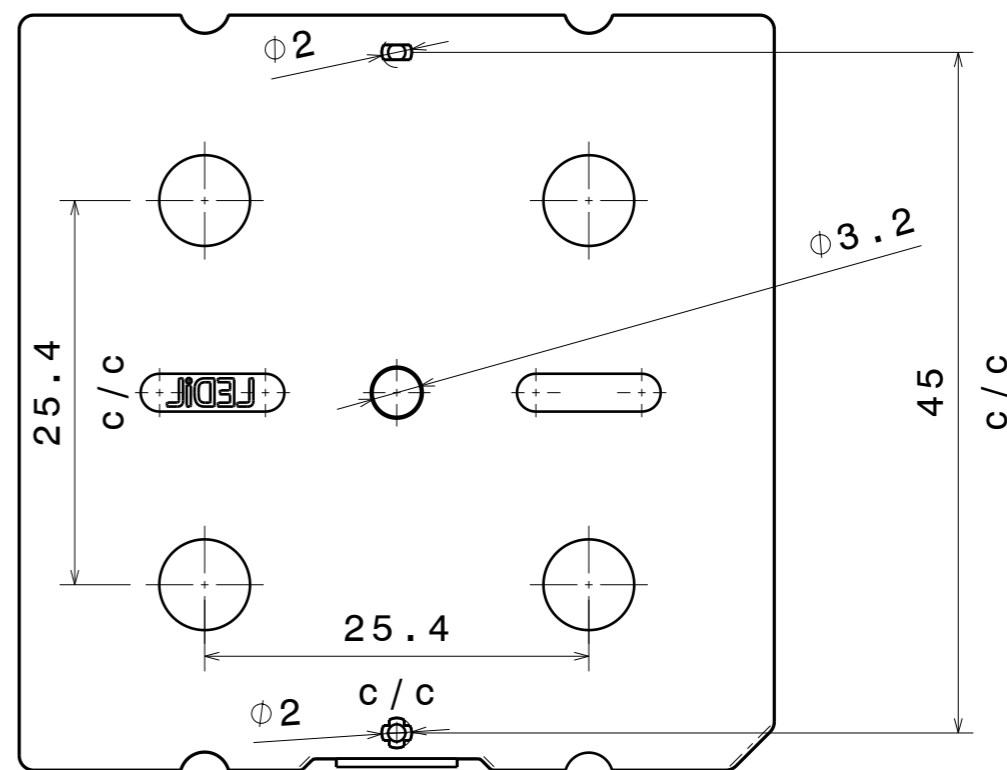
Front view



Isometric view
Scale: 1:1



Top view



Bottom view

INDEX	PART NO	DESCRIPTION	MATERIAL	COLOUR
1	C14991	STRADA-2X2-C-STP-PC	PC	

Plastic moulding general tolerances according to DIN 16901-130 and applies if not otherwise shown in the drawing.
Silicone moulding general tolerances according to ISO 3302-1 Class M3 and applies if not otherwise shown in the drawing.

LEDiL LediL Oy
Salorankatu 10
FIN 24240 SALO
Finland

THIRD ANGLE PROJECTION:

DRAWING TITLE
C14991_STRADA-2X2-C-STP-PC

This drawing is the property of LEDiL Oy. It may not be reproduced, copied or communicated without a written agreement with LEDiL Oy.

SIZE	PART NUMBER
A3	C14991

SCALE	WEIGHT	SHEET
2:1	6 g	1/1

H G B A