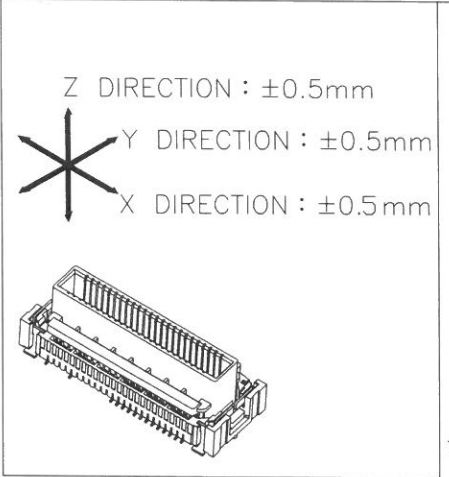
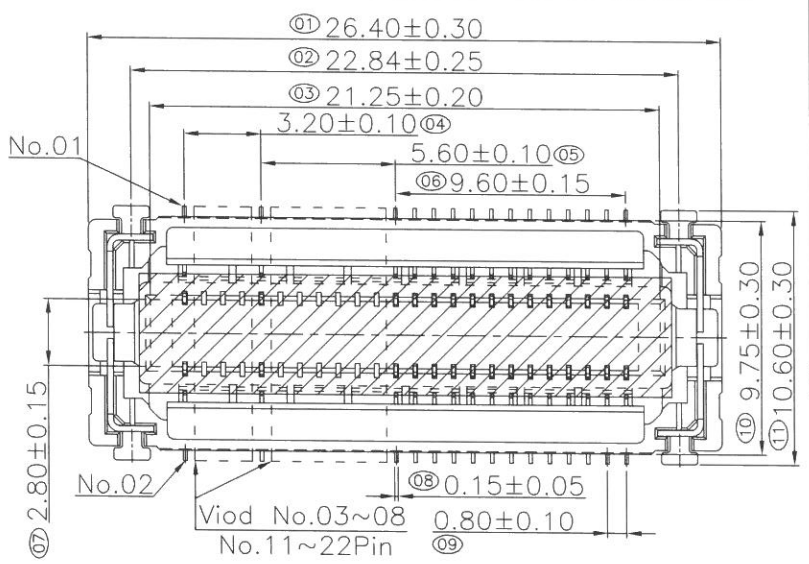


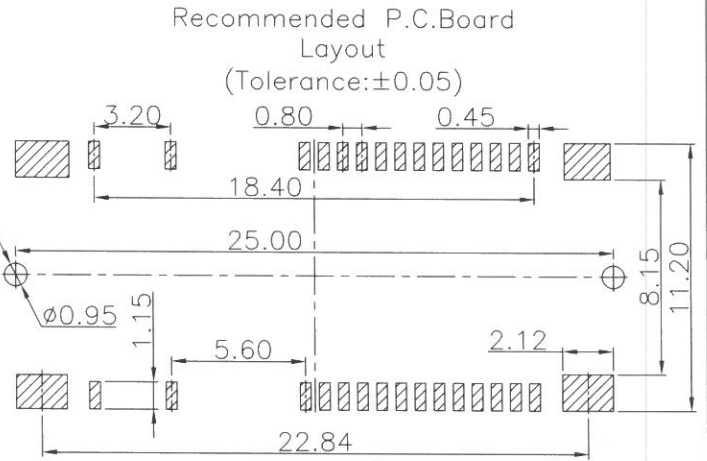
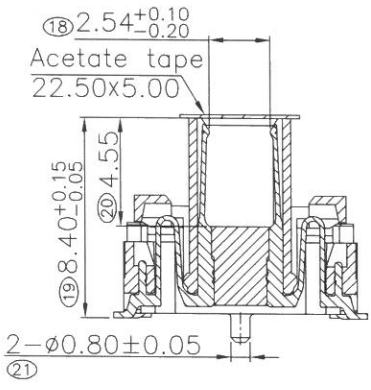
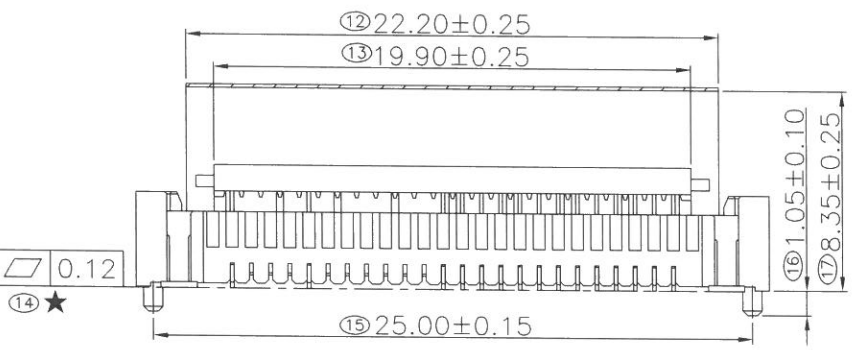
| | | |
|----------------------|----------|----------------------|
| Greenconn P/N | Customer | Remarks |
| CBBC234-2402B650C1SH | H135 | Automotive Connector |

| REV. | LOCAS. | DESCRIPTION | DATE | DRAWN |
|------|--------|-----------------------------------|------------|-------|
| 01 | NEW | BATCH PRODUCTION INITIAL RELEASE. | 2021.08.25 | 劉先平 |



Specifications:
 Current Rating:0.5Amp
 Insulation Resistance:500MΩ Min.
 0.8PITCH Dielectric Withstanding Voltage:250VAC.
 3.2PITCH Dielectric Withstanding Voltage:300VAC.
 Contact Resistance:100mΩ Max.
 Operating Temperature:-40°C to +105°C
 Materials
 Contact Material:Phosphor Bronze
 Insulator Material:High Temperature Thermoplastic,
 UL 94V-0 LCP or the equivalent material

☆All materials must meet GREENCONN hazardous substances control standards.
 “★” : Critical Characteristics.
 indicates product characteristics, functionalities, and manufacturing processes regarding to customer’s specifications
 “☆” :Safety Features
 indicates product characteristics, functionalities, and manufacturing processes complying to legal regulations stated by local government



Ordering Information
 C BBC234- XX XX B 650 C 1 S X
 No. of Pins per Row 24
 Standard Plating 02=Gold Flash/Tin
 Color 1=Black
 Standard Packing H=Acetate Tape+Tape&Reel

| | | | | | | | |
|---|---------------|-------------------|-------------|---------------|------------------|----------------------------------|--|
| Website:www.greenconn.com E-mail:sales@greenconn.com | 3RD.ANG PROJ. | GENERAL TOLERANCE | | DESIGNED: 劉先平 | DATE: 2021.08.25 | DWG. NO. CBBC234-CB650CS | TITLE. 0.8mm PITCH BTB FLOATING CONNECTOR |
| | | .X.*±3.0" | .X.±0.25 | CHECKED: 張春池 | DATE: 2021.08.26 | PART NO. CBBC234-24XXB650C1SX | |
| | PAGE. 1/1 | .XX.*±2.0" | .X.±0.20 | APPROVED: 王明 | DATE: 2021.08.26 | | |
| REV. 01 | UNIT. mm | SCALE. 3:1 | .XX.*±1.0" | .XX.±0.13 | | | |
| | | | .XXX.*±0.5" | .XXX.±0.08 | | | |