

CGA8N4NP02W473J230KA

TDK Item Description : CGA8N4NP02W473JT****



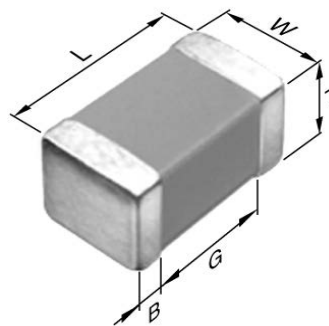
Equivalent C4532NP02W473J for Automotive

Application & Main Feature

Automotive Grade (High Temperature Application)

Series

CGA8(4532) [EIA 1812]



Dimensions

L	4.50mm ±0.40mm
W	3.20mm ±0.40mm
T	2.30mm ±0.20mm
B	0.20mm Min.
G	

Temperature Characteristic

NP0 (-55 to 150 degC 0+/-30ppm/degC)

Rated Voltage

2W(450Vdc)

Capacitance

47nF

Capacitance Tolerance

J (±5%)

Q Factor

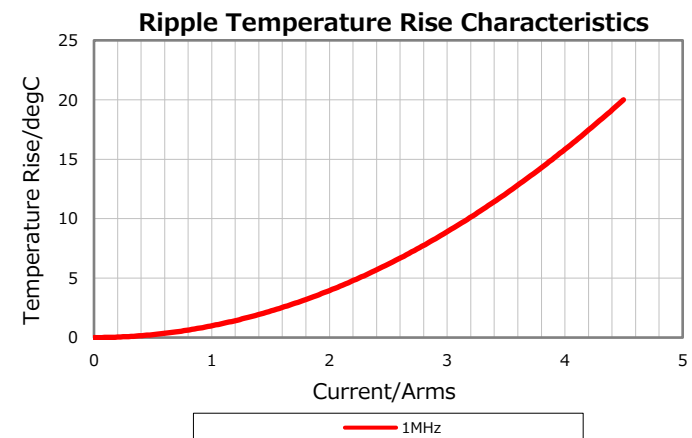
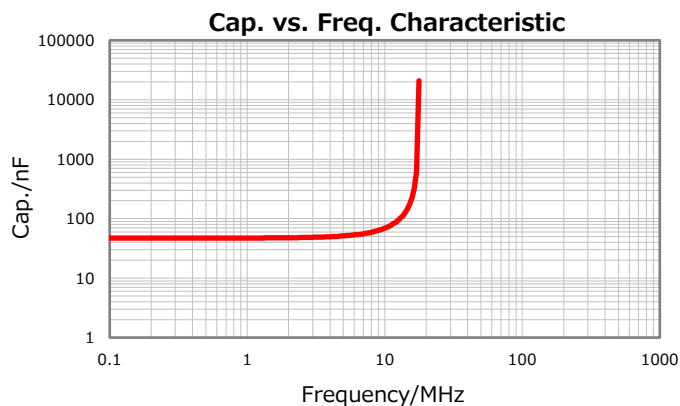
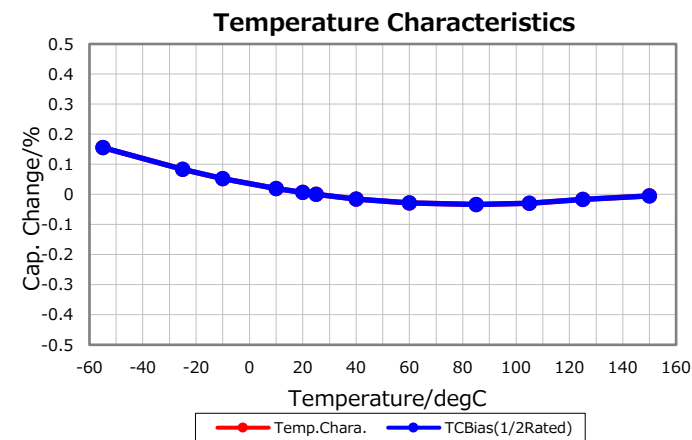
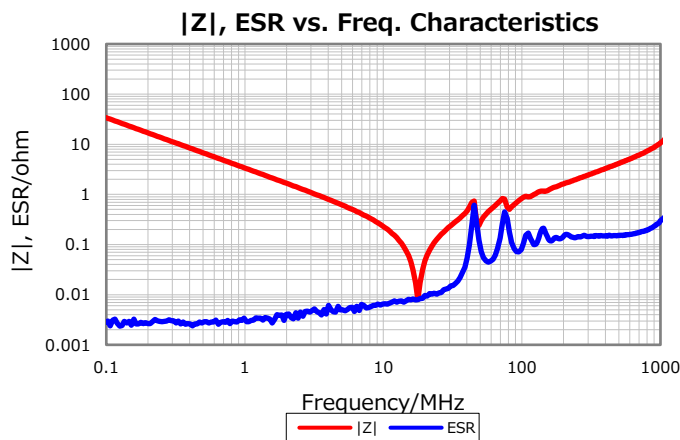
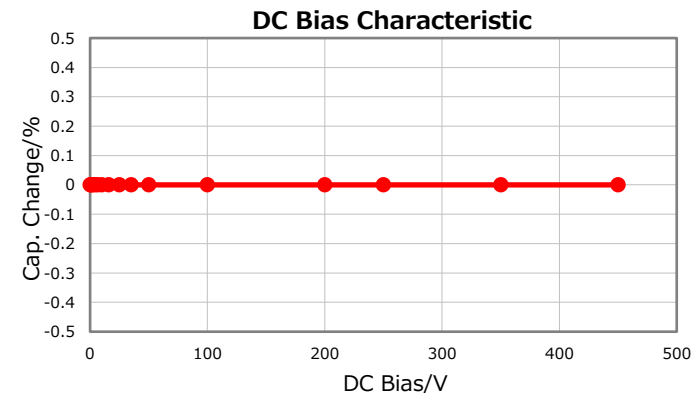
1000 Min.

Insulation Resistance

10Gohm Min

AEC-Q200

Yes



Characterization Sheet (Multilayer Ceramic Chip Capacitors)



All specifications are subject to change without notice.

May 22, 2019