

Note: 1. Material:

- ⑥ \* Insulation: High Temperature Polyamide UL 94V-0, Color Nature
- \* Contact: Brass
- \* TAB: Brass with matte Tin plated

2. Plating:

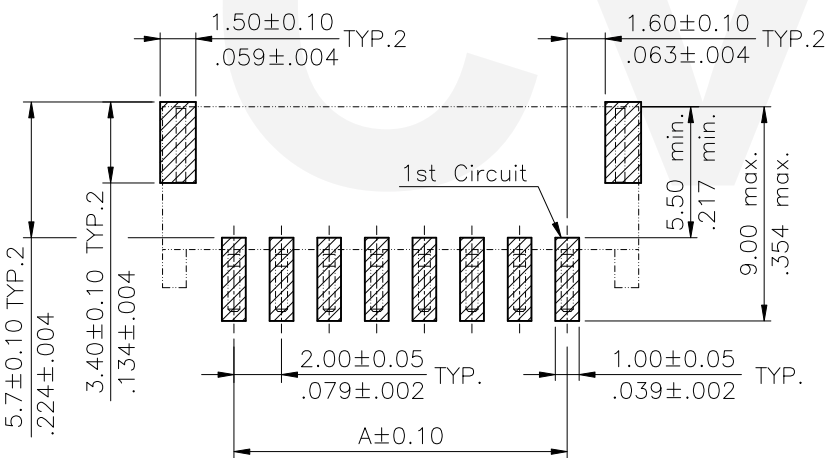
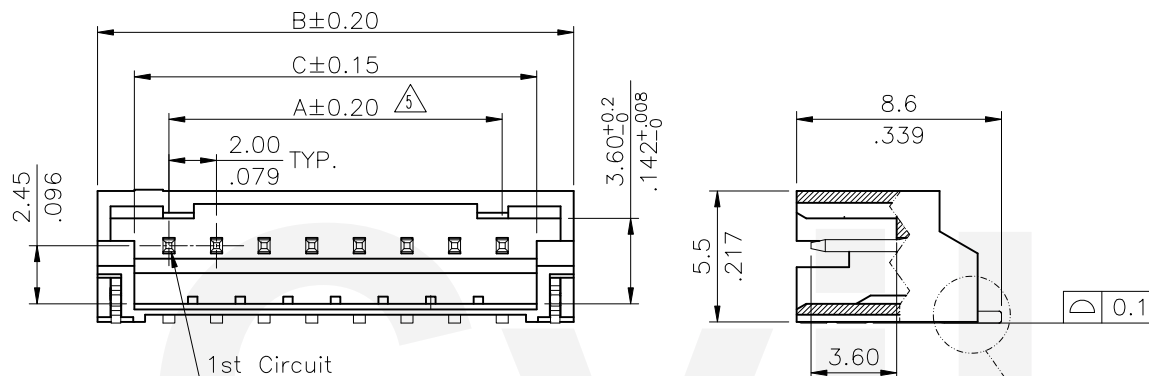
- \* TAB: Matte Tin plated over Nickel

④ 3. For Lead Free IR Reflow Process

Ordering Code:

CI01 \*\* M \* H \* 0 -NH  
 ① ② ③ ④ ⑤ ⑥ ⑦ ⑧

- ① Series No.
- ② No. of Circuits: 02~16
- ③ Contacts Type: M= SMT
- ④ Plating: 1= 3.05um(120u") Min. Matte Tin over 1.27um(50u") Nickel
- ⑤ Type: H= Right angle
- ⑥ Packing Options:  
R= Tape & Reel  
T= Tube Packing
- ⑦ Option: 0= Standard
- ⑧ NH= For Lead Free IR Reflow Process and Halogen-Free



SEC.:A-A

A = 2.00 x No. of Spaces

B = A + 6.0

C = A + 3.0

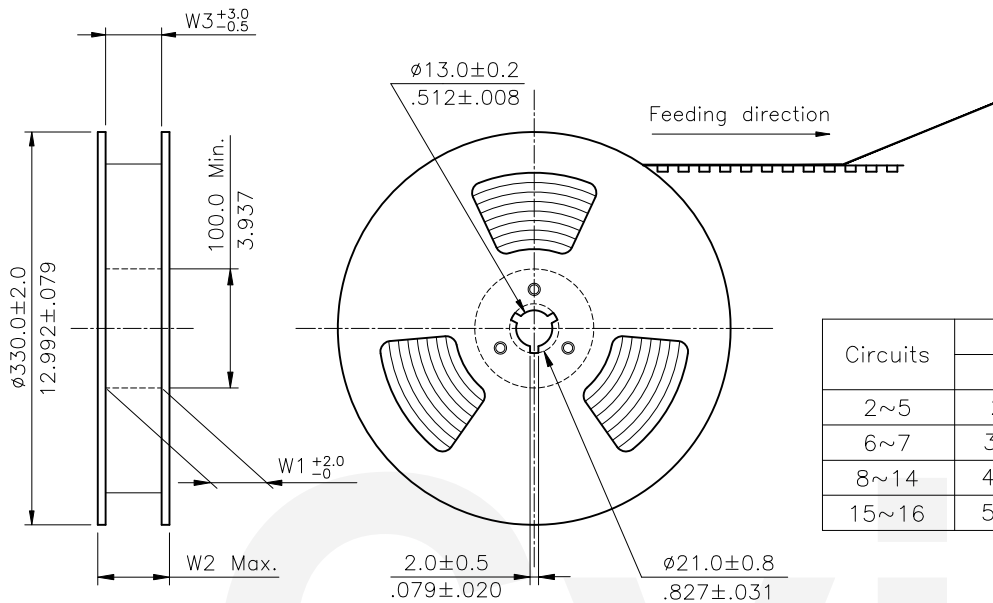
\* Available in 2 through 16 circuits

Halogen-Free

Lead Free Process

RoHS Compliant

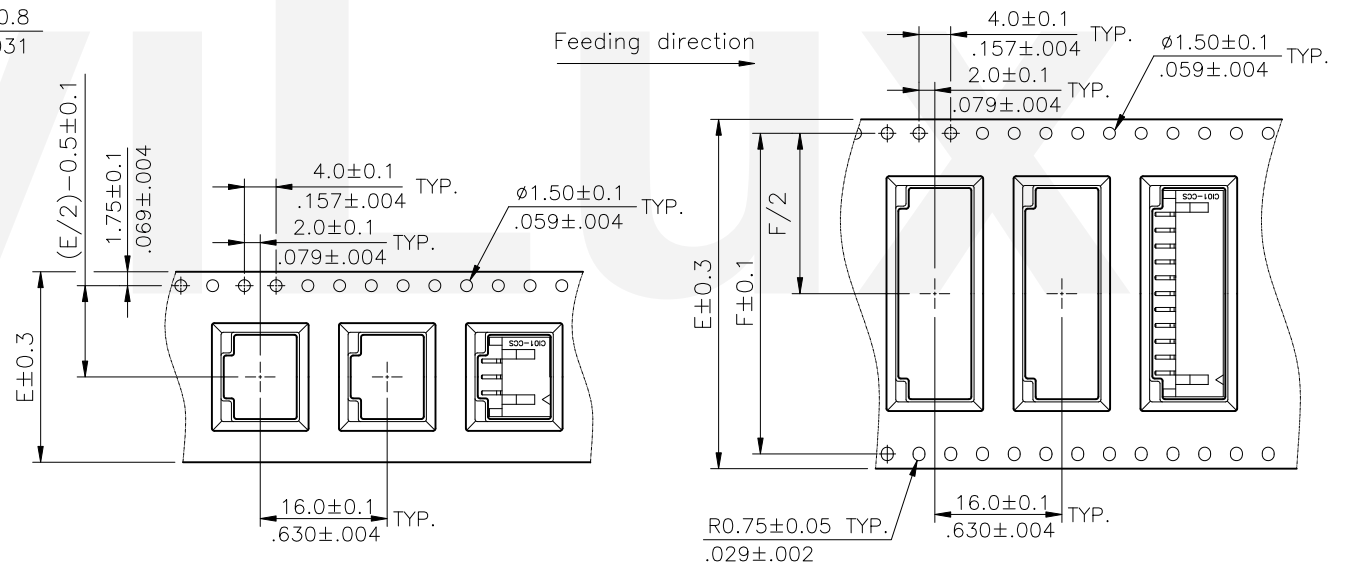
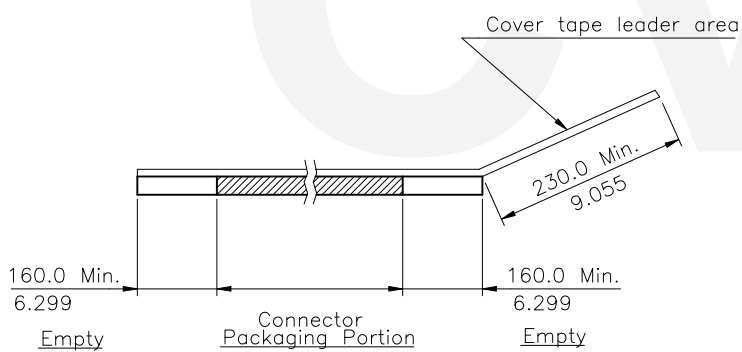
⑥	Sun	1/06-21'	ECRT120085/ECNT120316			DATE	UNIT: mm / inch	TITLE: 2.00mm PITCH SIDE ENTRY SMT HEADER	 瀚荃股份有限公司 CviLux Corporation	
⑤	Sandy	12/13-16	ECNT116287		DRAWN BY: Sun	01/06-21'	TOLERANCE UNLESS OTHERWISE SPECIFIED	MATERIAL:		DRAWING NO. CI0117AG
④	Enya	3/5-13'	ECN13056-0/ECR13007-1		ENGINEER: Sun	01/06-21'	.X ± 0.30/.012 X' ± 1'			PART NO. CI01**M*H*0-NH
③	Sun	9/21-11'	ECN11202		CHECKED BY: Eisley	01/08-21'	.XX ± 0.20/.008 .X' ±	FINISH:	SCALE 3 / 1	
SYM	NAME	DATE	REVISIONS		APPROVED BY: Eisley	01/08-21'	.XXX ± 0.10/.004 .XX' ±		SHEET 1 OF 2	



NOTE :

- \* Reel Material : Corrugated Paper
- \* Carrier Material : Transparent Anti-static Polysyrene.
- \* Cover Tape Material : Polyester
- \* Cover Tape Peel Strength : 0.1N – 1.3N
- \* Carrier camber is within 1mm in 100mm
- \* All dimensions meet EIA-481-2 requirements.
- \* Quantity : 700 PCS/Reel

Circuits	Dimension					Packing (Reel/Carton)
	E	F	W1	W2	W3	
2~5	24.0(.945)	—	24.5(.965)	30.5(1.200)	24.5(.965)	9
6~7	32.0(1.260)	28.40(1.118)	32.5(1.280)	38.5(1.516)	32.5(1.280)	7
8~14	44.0(1.732)	40.40(1.596)	44.4(1.748)	50.4(1.984)	44.4(1.748)	5
15~16	56.0(2.205)	52.40(2.062)	56.5(2.224)	62.5(2.460)	56.5(2.224)	4



WIDTH : 24 mm Carrier

WIDTH : 32.4456 mm Carrier

RoHS Compliant

SYM	NAME	DATE	REVISIONS	APPROVED BY:	DATE	UNIT: mm / inch	TITLE: 2.00mm PITCH SIDE ENTRY SMT HEADER	MATERIAL:	FINISH:	DRAWING NO.	CIO117AG	PART NO.	CIO1**M*H*O-NH
6	Sun	1/06-21'	ECRT120085/ECNT120316										
5	Sandy	12/13-16	ECNT116287	DRAWN BY: Sun	01/06-21'	TOLERANCE UNLESS OTHERWISE SPECIFIED							
4	Enya	3/5-13'	ECN13056-0/ECR13007-1	ENGINEER: Sun	01/06-21'	.X ±							
3	Sun	9/21-11'	ECN11202	CHECKED BY: Eisley	01/08-21'	.XX ±							
				APPROVED BY: Eisley	01/08-21'	.XXX ±							

CIVILUX CORP  
 2021.01.14  
 ISSUED

瀚荃股份有限公司  
CviLux Corporation

SCALE: SHEET 2 OF 2