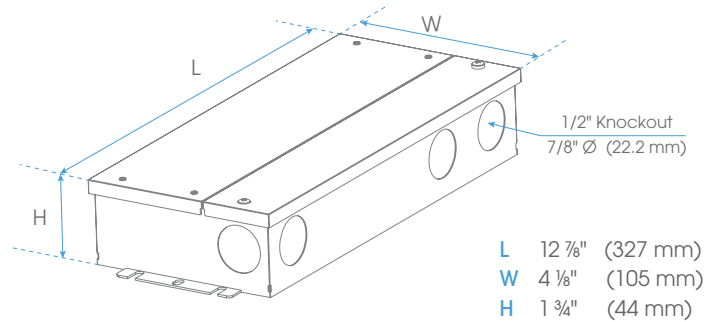


DL-PS-96X3/24-JB-OD-UNI-DIM

UNIVERSAL DIMMING LED POWER SUPPLY
24V DC HARDWIRE IN JUNCTION BOX ENCLOSURE



Fixture Type
Project
Notes



The DL-PS-XX/24-JB-OD-UNI-DIM series is an Outdoor Class 2 Universal Dimming 24V Power Supply with Junction Boxes for 30W, 60W, 96W, 96Wx2, 96Wx3, 96Wx4. It works with Forward phase, Reverse Phase, or 0-10V dimmers. With universal input voltage – 100 to 277V AC, it provides smooth, flicker-free PWM dimming (PWM Frequency: 800Hz). IP66, indoor/outdoor – for dry, damp, and wet locations. Cooling by free air convection. Load 10-100%, short circuit, over-temperature, and over-loading protection. Built-in PFC function, it is also UL8750 Listed and Class 2 power unit. Weights only 2.4kg (5.3lb.), includes (9) 7/8" knockouts metal enclosures.



**CLASS 2
TYPE HL**

SPECIFICATIONS

INPUT

INPUT VOLTAGE	120 - 277V AC
INPUT FREQUENCY	47-63Hz
INPUT CURRENT (MAX.)	3.4A @100V AC
POWER FACTOR (TYP.) @ FULL LOAD	0.99 @ 120V AC 0.94 @ 277V AC
EFFICACY (TYP.) @ FULL LOAD	87% @ 120V AC 89% @ 277V AC
INRUSH CURRENT (TYP.)	35A, twidth = 96µs @ 120V AC 43A, twidth = 1ms @ 277V AC
THD (TYP.) @ FULL LOAD	<20%
LEAKAGE CURRENT	<0.50mA

OUTPUT

OUTPUT VOLTAGE	24V AC
RATED OUTPUT POWER	96W x 3 (288W)
RATED LOAD CURRENT	3 x 4.0A (12.0A)
VOLTAGE TOLERANCE	+/-0.5V
VOLTAGE REGULATION	+/-0.5%
LOAD REGULATION	+/-1%

PROTECTION

SHORT CIRCUIT	Shut down o/p voltage, re-power on to recover after fault condition is removed
OVER LOADING	≤120% Hiccup mode, recovers automatically after fault condition is removed
OVER TEMPERATURE	212°F+/-50°F (100°C +/-10°C) shut down o/p voltage, automatically recover after cooling

ENVIRONMENT

IP RATINGS	IP66, Indoor/Outdoor – For Dry, Damp and Wet locations
OPERATING AMBIENT TEMPERATURE†	-40°C to +60°C (-40°F to +140°F)
OPERATING AMBIENT HUMIDITY	20-90% RH, non-condensing
STORAGE TEMPERATURE	-40°C to +80°C (-40°F to +176°F)
STORAGE HUMIDITY	10-95% RH
TEMPERATURE COEFFICIENT	+/-0.03%/°C (0-50°C)
VIBRATION	10-500Hz, 5G 10min./1 cycle period for 60min, each along X, Y and Z axes

† See Derating Curve

SAFETY & EMC

SAFETY STANDARDS	UL8750
WITHSTAND VOLTAGE	I/P-O/P:1.88KV AC
ISOLATION RESISTANCE	I/P-O/P:100MΩ / 500V DC / 25°C / 70% RH
EMC EMISSION	FCC Part 15 B

DL-PS-96X3/24-JB-OD-UNI-DIM

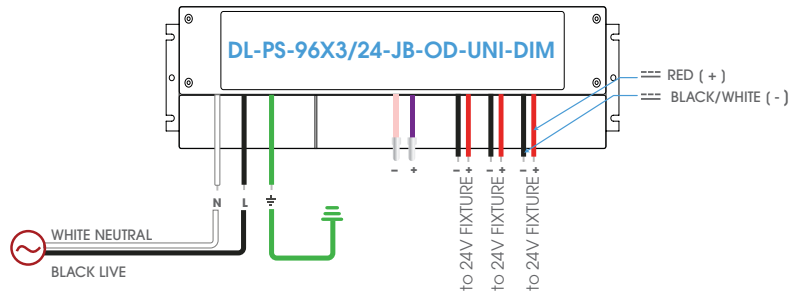
UNIVERSAL DIMMING LED POWER SUPPLY
24V DC HARDWIRE IN JUNCTION BOX ENCLOSURE



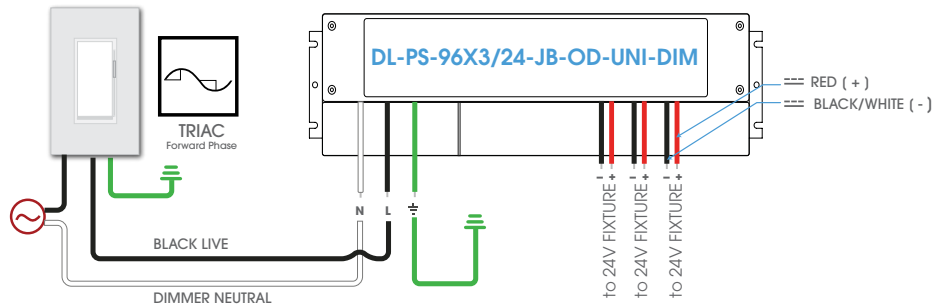
Fixture Type
Project
Notes

WIRING DIAGRAM

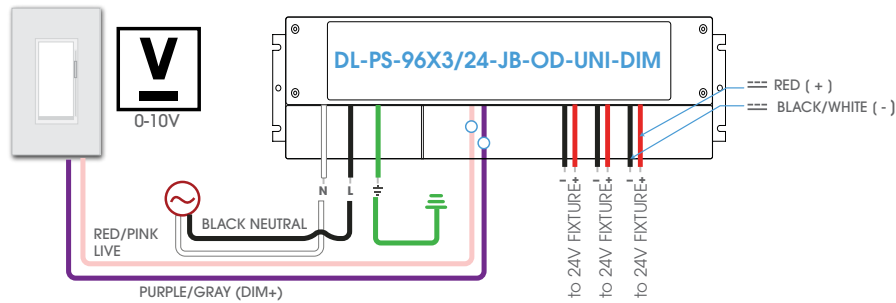
TYPICAL DIRECT WIRING: NON DIMMING APPLICATIONS



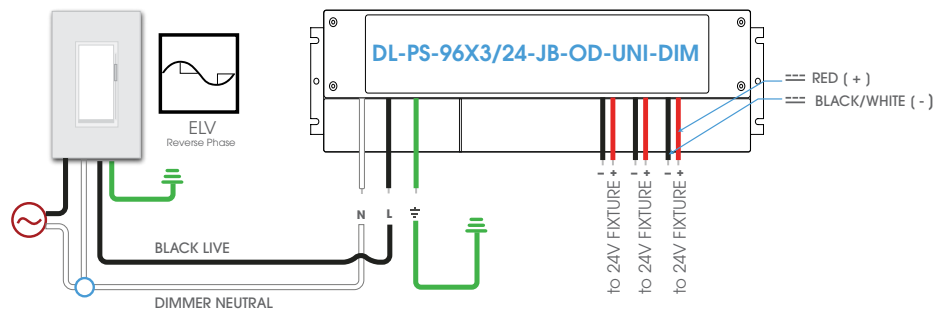
TYPICAL DIRECT WIRING: TRIAC DIMMING



TYPICAL DIRECT WIRING: 0 - 10 DIMMING (LOW VOLTAGE 0 - 10V DIMMER)



TYPICAL DIRECT WIRING: ELV DIMMING



DL-PS-96X3/24-JB-OD-UNI-DIM

UNIVERSAL DIMMING LED POWER SUPPLY
24V DC HARDWIRE IN JUNCTION BOX ENCLOSURE



Fixture Type
Project
Notes

RECOMMENDED DIMMERS

BRAND	MODEL NUMBER	TYPE	INPUT VOLTAGE RANGE	DIMMING RANGE	BRAND	MODEL NUMBER	TYPE	INPUT VOLTAGE RANGE	DIMMING RANGE	
LUTRON	SCL-153PR-WH	Forward Phase	100-130V	0-100%	LEVITON	VPI06-1LZ	Forward Phase	100-130V	15-100%	
	DVCL-153PR-WH	Forward Phase	100-130V	0-100%		TTI06-1LZ	Forward Phase	100-130V	1-100%	
	DVWCL-153PH-LA	Forward Phase	100-130V	0-100%		IPL06	Forward Phase	100-130V	15-100%	
	CTCL-153PDH-LA	Forward Phase	100-130V	0-100%		DZ6HD	Forward Phase	100-130V	17-100%	
	TGCL-153PR-WH	Forward Phase	100-130V	0-100%		TBL03	Forward Phase	100-130V	15-100%	
	TGCL-153PH-WH	Forward Phase	100-130V	0-100%		6672	Forward Phase	100-130V	20-100%	
	MACL-153MH-LA	Forward Phase	100-130V	20-100%		6602	Forward Phase	100-130V	0-100%	
	CT-600PR-IV	Forward Phase	100-130V	0-100%		6674	Forward Phase	100-130V	16-100%	
	CT-600PR-WH	Forward Phase	100-130V	0-100%		AWSMT-EAW	Reverse Phase	100-130V	0-100%	
	CT-103PR-WH	Forward Phase	100-130V	0-100%		AWSMT-EAW	Reverse Phase	277V	0-100%	
	DV-600PR-BL	Forward Phase	100-130V	0-100%		6683	Forward Phase	100-130V	10-100%	
	DV-600PR-WH	Forward Phase	100-130V	0-100%		LEGRAND	RHCL453PNICCV6	Forward Phase	100-130V	6-100%
	MIR-600M	Forward Phase	100-130V	2-100%			WSCL450TCCCV4	Forward Phase	100-130V	11-100%
	TG-600PR-LA	Forward Phase	100-130V	4-100%	LSCL453PLACCV4		Forward Phase	100-130V	11-100%	
	TG-600PR-IV	Forward Phase	100-130V	0-100%	CRESTON	CLW-DELVEV-P-W-S	Reverse Phase	100-130V	11-100%	
	TG-600PR-WH	Forward Phase	100-130V	0-100%						EATON
	TG-10PR-WH	Forward Phase	100-130V	0-100%						
	S-600PR-WH	Forward Phase	100-130V	0-100%						
	MRF2-6ND-120-AL	Forward Phase	100-130V	0-100%						
	MSCELV-600M	Reverse Phase	100-130V	0-100%						
	MEF2-6ELV-120	Reverse Phase	100-130V	0-100%						
	MRF2-6CL-GR	Forward Phase	100-130V	15-100%						
	DZ6HD	Forward Phase	100-130V	22-100%						
	PD-6WCL	Forward Phase	100-130V	19-100%						
	PD-5NE-WH	Forward Phase	100-130V	18-100%						
	NTLV-600-277-WH	Forward Phase	277V	1-100%						
	ST-12P-277	Forward Phase	277V	12-100%						
	NTF-10-277	Forward Phase	277V	1-100%						
	DVELV-300P-WH	Reverse Phase	100-130V	20-100%						
	SELV-300P	Reverse Phase	100-130V	15-100%						
	DVSTV-WH	0-10V	120-277V	9-100%						
	DVTV-WH	0-10V	120-277V	9-100%						

DERATING CURVE

