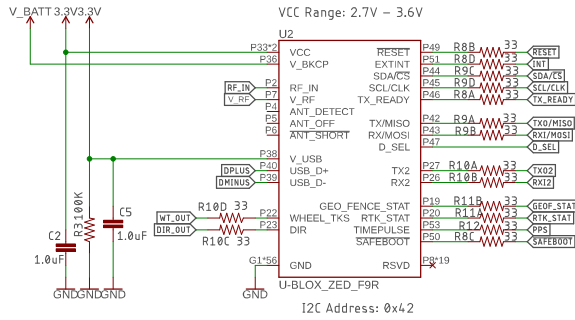
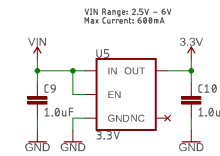
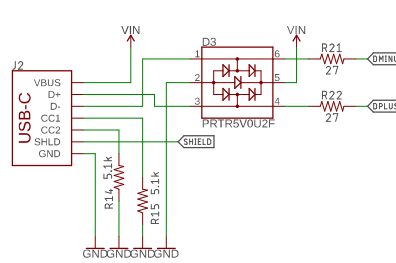


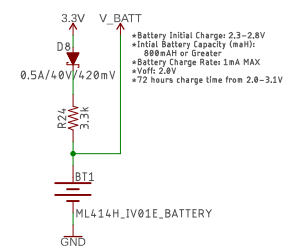
## Dead Reckoning Module – ublox ZED-F9R



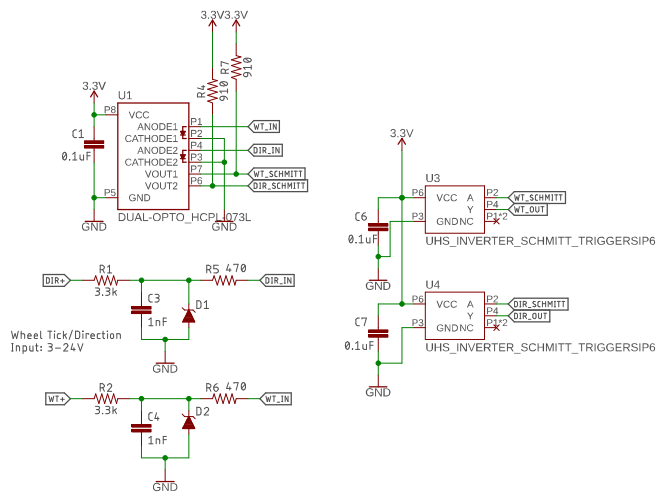
## Power



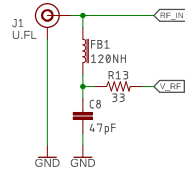
## Battery



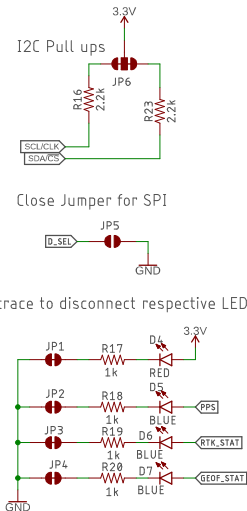
## Wheel Tick and Direction Signal



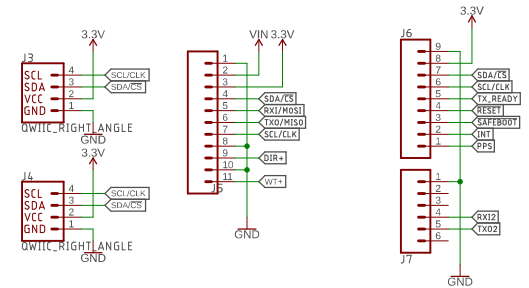
## Antenna



## Jumpers



## Connectors



Released under the Creative Commons Attribution Share-Alike 4.0 License  
<https://creativecommons.org/licenses/by-sa/4.0/>

TITLE: SparkFun\_GPS\_ZED-F9R\_BoB

Design by: Elias Santestevan

REV: v1.0

Date: not saved!

Sheet: 1/1