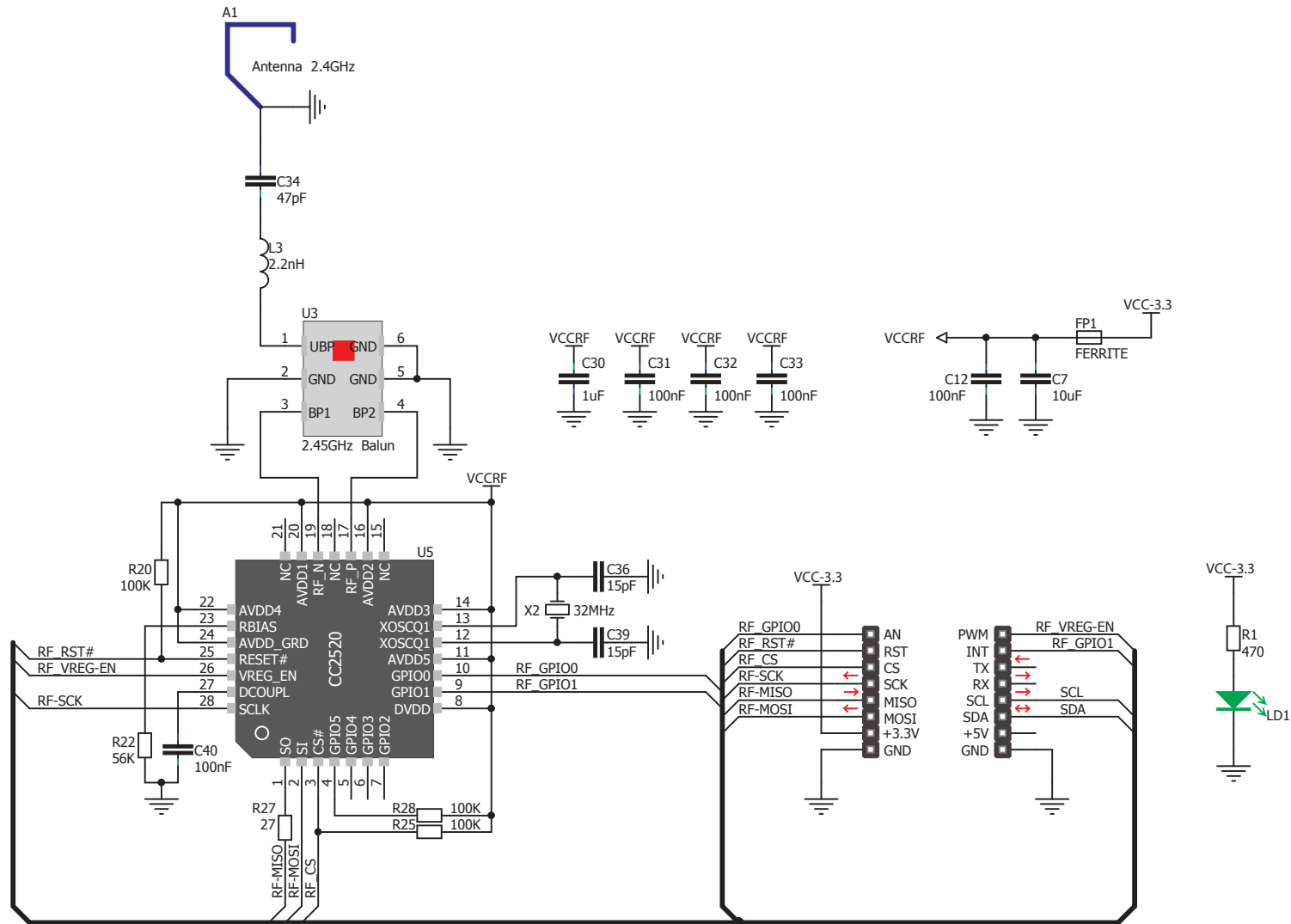


6LoWPAN T click schematic v100



www.mikroe.com