

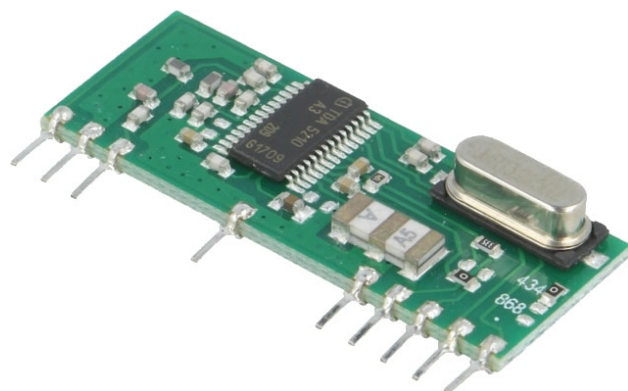
AM Superhet Receiver Module

RCASK2-XXX is an AM Radio Receiver Module with PLL Synthesizer and crystal oscillator. Single Line Package with power down mode.

RF Sensitivity = 107dBm

Applications :

- Wireless security systems
- Home and building automation
- Automatic Measure Reading
- Wireless Sensor Network



Module Information:

RCASK2-XXX

Frequency

434=433.92MHz

868=868.35MHz

Technical Characteristics

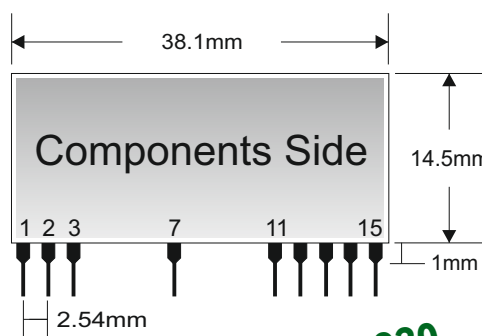
Characteristics		MIN	TYP	MAX	UNIT
V _{cc}	Supply Voltage	4.5		5.5	Vdc
I _s	Supply Current (Operation mode)		5.0	6.0	mA
I _s	Supply Current (Shut down mode)			100	nA
F	Frequency		433.92 / 868.35		MHz
D	Max Data Rate			4.8	Kbit/s
S	RF Sensitivity		-107 / -103		dBm
B	3dB Bandwith		± 150		KHz
L	Level of emitted spectrum			-70	dBm
T	Power Up Time (from Power to stable data)			8	ms
T1	Power Up Time1 (from PD to stable data)			5	ms
TE	Operating Temperature Range	-20		+80	°C

Pin Description

Pads	Name	Description
1	VCC	Vcc Power
2	GND	Ground
3	IN	Antenna
7	GND	Ground
11	GND	Ground
12	VCC	Vcc Power
13	TP/RSSI	Test Point / RSSI
14	OUT	Data Out
15	PD	Power down

PD = LOW ----> RX OFF
 PD = HIGH ----> RX ON

Mechanical Dimensions



**ETSI EN 300 220
 COMPLIANCE**

Typical application

