



## Main

|                                 |                      |
|---------------------------------|----------------------|
| Range of Product                | Harmony XB5          |
| Product or Component Type       | Head for pilot light |
| Product Compatibility           | BA 9s                |
| Device short name               | ZB5                  |
| Bezel material                  | Dark grey plastic    |
| Mounting diameter               | 0.87 in (22 mm)      |
| Head type                       | Standard             |
| Sale per indivisible quantity   | 1                    |
| Shape of signaling unit head    | Round                |
| Cap/operator or lens colour     | Green                |
| Operator additional information | With plain lens      |

## Complementary

|                             |  |
|-----------------------------|--|
| CAD overall width           | 1.14 in (29 mm)  |
| CAD overall height          | 1.14 in (29 mm)  |
| CAD overall depth           | 1.22 in (31 mm)  |
| Net Weight                  | 0.04 lb(US) (0.018 kg)   |
| Station name                | XALD 1...5 cut-outs<br>XALK 2...5 cut-outs   |
| Electrical composition code | P3 front mounting BA 9s<br>P4 front mounting BA 9s and transformer<br>PF2 front mounting BA 9s |
| Device presentation         | Basic element  |

## Environment

|                                       |   |
|---------------------------------------|---|
| Protective treatment                  | TH  |
| Ambient Air Temperature for Storage   | -40...158 °F (-40...70 °C)  |
| Ambient air temperature for operation | -40...158 °F (-40...70 °C)  |
| Overvoltage category                  | Class II IEC 60536  |
| IP degree of protection               | IP66 IEC 60529<br>IP67 IEC 60529<br>IP69 IEC 60529<br>IP69K ISO 20653   |
| NEMA degree of protection             | NEMA 13<br>NEMA 4X  |
| Resistance to high pressure washer    | 1015.26 psi (7000000 Pa) 131 °F (55 °C) 0.1 m   |
| IK degree of protection               | IK05 IEC 50102  |
| Standards                             | EN/IEC 60947-5-4<br>JIS C8201-5-1<br>EN/IEC 60947-1<br>CSA C22.2 No 14<br>EN/IEC 60947-5-1<br>EN/IEC 60947-5-5<br>UL 508<br>JIS C8201-1 |
| Vibration resistance                  | 5 gn 2...500 Hz)IEC 60068-2-6   |
| Shock resistance                      | 30 gn 18 ms) half sine wave acceleration IEC 60068-2-27<br>50 gn 11 ms) half sine wave acceleration IEC 60068-2-27                      |

## Ordering and shipping details

|                       |                                       |
|-----------------------|---------------------------------------|
| Category              | 22467 - PUSHBUTTONS,22MM(PLASTIC) NEW |
| Discount Schedule     | CS2                                   |
| GTIN                  | 3389110908077                         |
| Nbr. of units in pkg. | 1                                     |
| Package weight(Lbs)   | 0.53 oz (15 g)                        |
| Returnability         | Yes                                   |
| Country of origin     | FR                                    |

## Packing Units

|                              |                           |
|------------------------------|---------------------------|
| Unit Type of Package 1       | PCE                       |
| Package 1 Height             | 1.34 in (3.4 cm)          |
| Package 1 width              | 1.77 in (4.5 cm)          |
| Package 1 Length             | 2.13 in (5.4 cm)          |
| Unit Type of Package 2       | S03                       |
| Number of Units in Package 2 | 300                       |
| Package 2 Weight             | 11.45 lb(US) (5.194 kg)   |
| Package 2 Height             | 11.81 in (30 cm)          |
| Package 2 width              | 11.81 in (30 cm)          |
| Package 2 Length             | 15.75 in (40 cm)          |
| Unit Type of Package 3       | P06                       |
| Number of Units in Package 3 | 2400                      |
| Package 3 Weight             | 111.56 lb(US) (50.604 kg) |
| Package 3 Height             | 30.31 in (77 cm)          |
| Package 3 width              | 31.50 in (80 cm)          |
| Package 3 Length             | 23.62 in (60 cm)          |

## Offer Sustainability

|                            |  |
|----------------------------|--|
| Sustainable offer status   | Green Premium product  |
| REACH Regulation           | <a href="#">REACH Declaration</a>  |
| REACH free of SVHC         | Yes  |
| EU RoHS Directive          | Pro-active compliance (Product out of EU RoHS legal scope) <a href="#">EU RoHS Declaration</a> |
| Toxic heavy metal free     | Yes  |
| Mercury free               | Yes  |
| RoHS exemption information | <a href="#">Yes</a>  |
| China RoHS Regulation      | <a href="#">China RoHS Declaration</a>   |
| Environmental Disclosure   | <a href="#">Product Environmental Profile</a>  |
| Circularity Profile        | <a href="#">End Of Life Information</a>  |

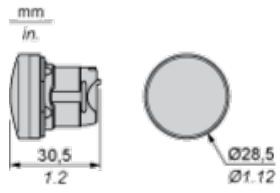
## Contractual warranty

|          |           |
|----------|-----------|
| Warranty | 18 months |
|----------|-----------|

---

Dimensions

---



Panel Cut-out for Pushbuttons, Switches and Pilot Lights (Finished Holes, Ready for Installation)

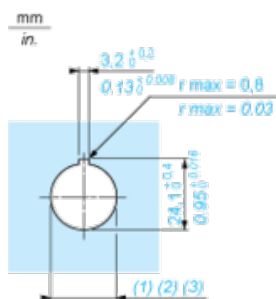
Connection by Screw Clamp Terminals or Plug-in Connectors or on Printed Circuit Board



- (1) Diameter on finished panel or support
- (2) For selector switches and Emergency stop buttons, use of an anti-rotation plate type ZB5AZ902 is recommended.
- (3)  $\varnothing 22.5$  mm recommended ( $\varnothing 22.3_0^{+0.4}$ ) /  $\varnothing 0.89$  in. recommended ( $\varnothing 0.88$  in.  $_0^{+0.016}$ )

| Connections                                   | a in mm | a in in. | b in mm | b in in. |
|---|---------|----------|---------|----------|
| By screw clamp terminals or plug-in connector | 40      | 1.57     | 30      | 1.18     |
| By Faston connectors                          | 45      | 1.77     | 32      | 1.26     |
| On printed circuit board                      | 30      | 1.18     | 30      | 1.18     |

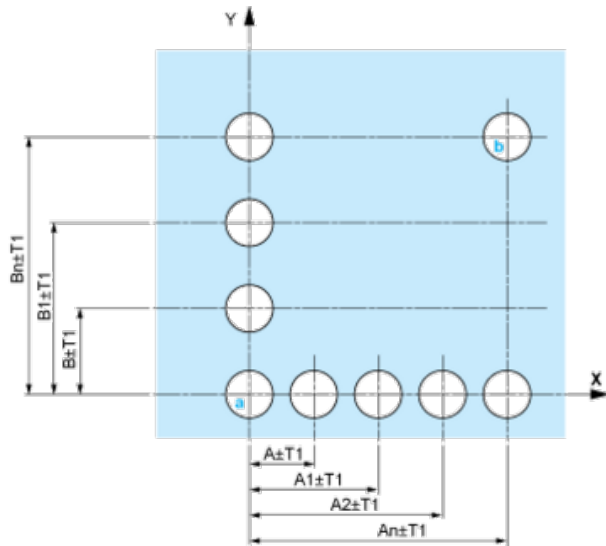
Detail of Lug Recess



- (1) Diameter on finished panel or support
- (2) For selector switches and Emergency stop buttons, use of an anti-rotation plate type ZB5AZ902 is recommended.
- (3)  $\varnothing 22.5$  mm recommended ( $\varnothing 22.3_0^{+0.4}$ ) /  $\varnothing 0.89$  in. recommended ( $\varnothing 0.88$  in.  $_0^{+0.016}$ )

Pushbuttons, Switches and Pilot Lights for Printed Circuit Board Connection

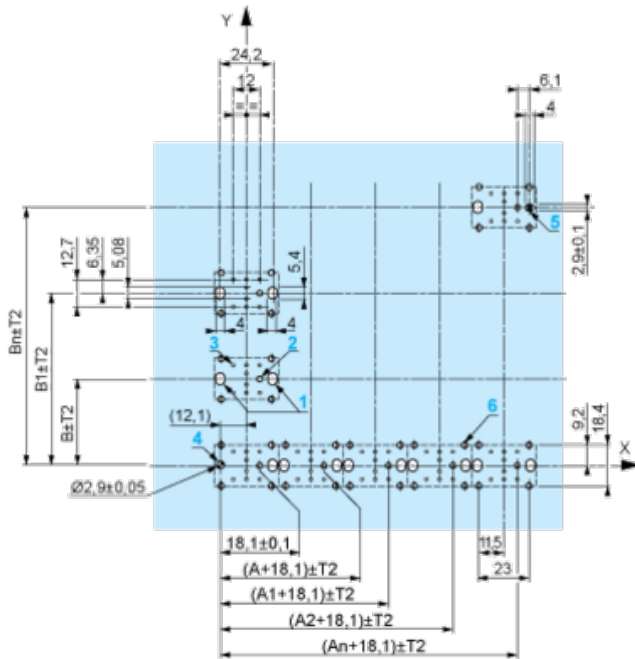
### Panel Cut-outs (Viewed from Installer's Side)



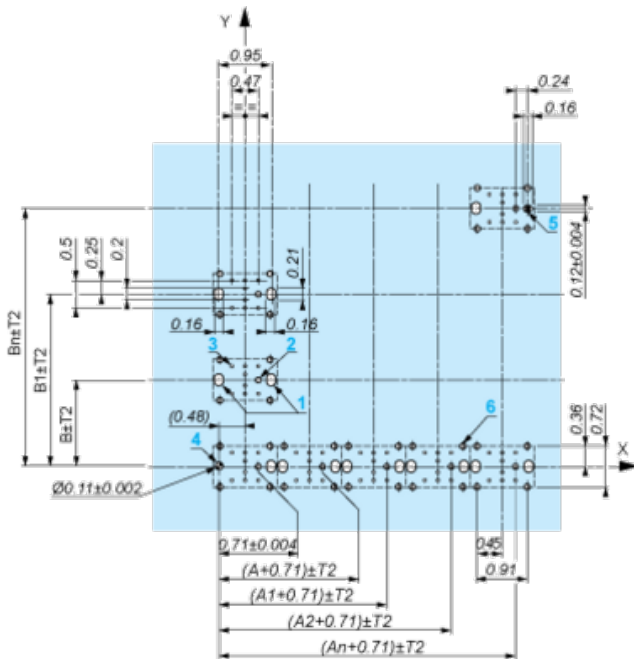
A: 30 mm min. / 1.18 in. min.  
 B: 40 mm min. / 1.57 in. min.

### Printed Circuit Board Cut-outs (Viewed from Electrical Block Side)

Dimensions in mm



A: 30 mm min.  
 B: 40 mm min.  
 Dimensions in in.



A: 1.18 in. min.

B: 1.57 in. min.

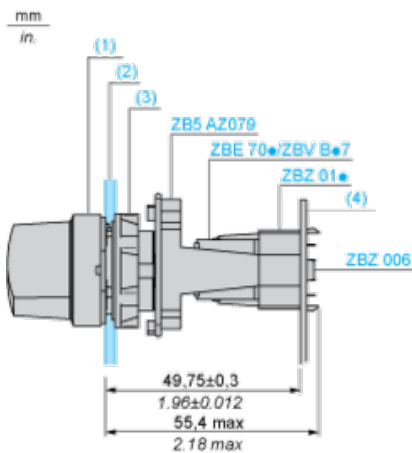
### General Tolerances of the Panel and Printed Circuit Board

The cumulative tolerance must not exceed 0.3 mm / 0.012 in.:  $T1 + T2 = 0.3 \text{ mm max.}$

### Installation Precautions

- Minimum thickness of circuit board: 1.6 mm / 0.06 in.
- Cut-out diameter: 22.4 mm  $\pm$  0.1 / 0.88 in.  $\pm$  0.004
- Orientation of body/fixing collar ZB5AZ009:  $\pm 2^\circ 30'$  (excluding cut-outs marked a and b).
- Tightening torque of screws ZBZ006: 0.6 N.m (5.3 lbf.in) max.
- Allow for one ZB5AZ079 fixing collar/pillar and its fixing screws:
  - every 90 mm / 3.54 in. horizontally (X), and 120 mm / 4.72 in. vertically (Y).
  - with each selector switch head (ZB5AD\*, ZB5AJ\*, ZB5AG\*).

The fixing centers marked a and b are diagonally opposed and must align with those marked 4 and 5.



(1) Head ZB5AD•

(2) Panel

(2) Nut

(4) Printed circuit board

### Mounting of Adapter (Socket) ZBZ01•

- 1 2 elongated holes for ZBZ006 screw access
- 2 1 hole  $\varnothing$  2.4 mm  $\pm$  0.05 / 0.09 in.  $\pm$  0.002 for centring adapter ZBZ01•
- 3 8  $\times$   $\varnothing$  1.2 mm / 0.05 in. holes
- 4 1 hole  $\varnothing$  2.9 mm  $\pm$  0.05 / 0.11 in.  $\pm$  0.002, for aligning the printed circuit board (with cut-out marked a)
- 5 1 elongated hole for aligning the printed circuit board (with cut-out marked b)
- 6 4 holes  $\varnothing$  2.4 mm / 0.09 in. for clipping in adapter ZBZ01•

Dimensions An + 18.1 relate to the  $\varnothing$  2.4 mm  $\pm$  0.05 / 0.09 in.  $\pm$  0.002 holes for centring adapter ZBZ01•.

---

Electrical Composition Corresponding to Codes P1, P3, PF1, PR1 and PF2

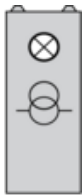
---

Light block

---

Electrical Composition Corresponding to Code P4

---



---

Legend

---

Single contact

Double contact

Light block

Possible location

