

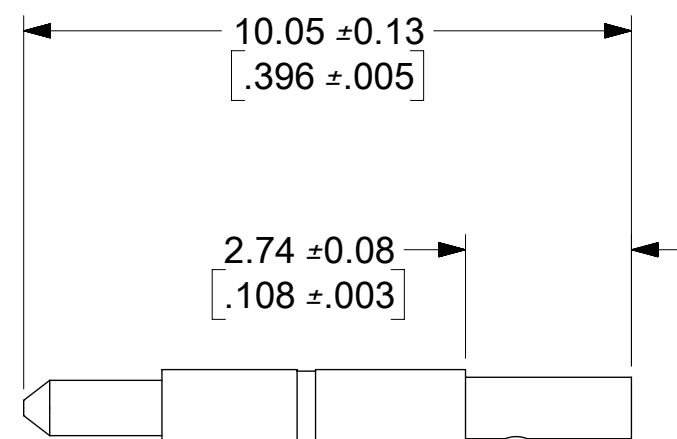
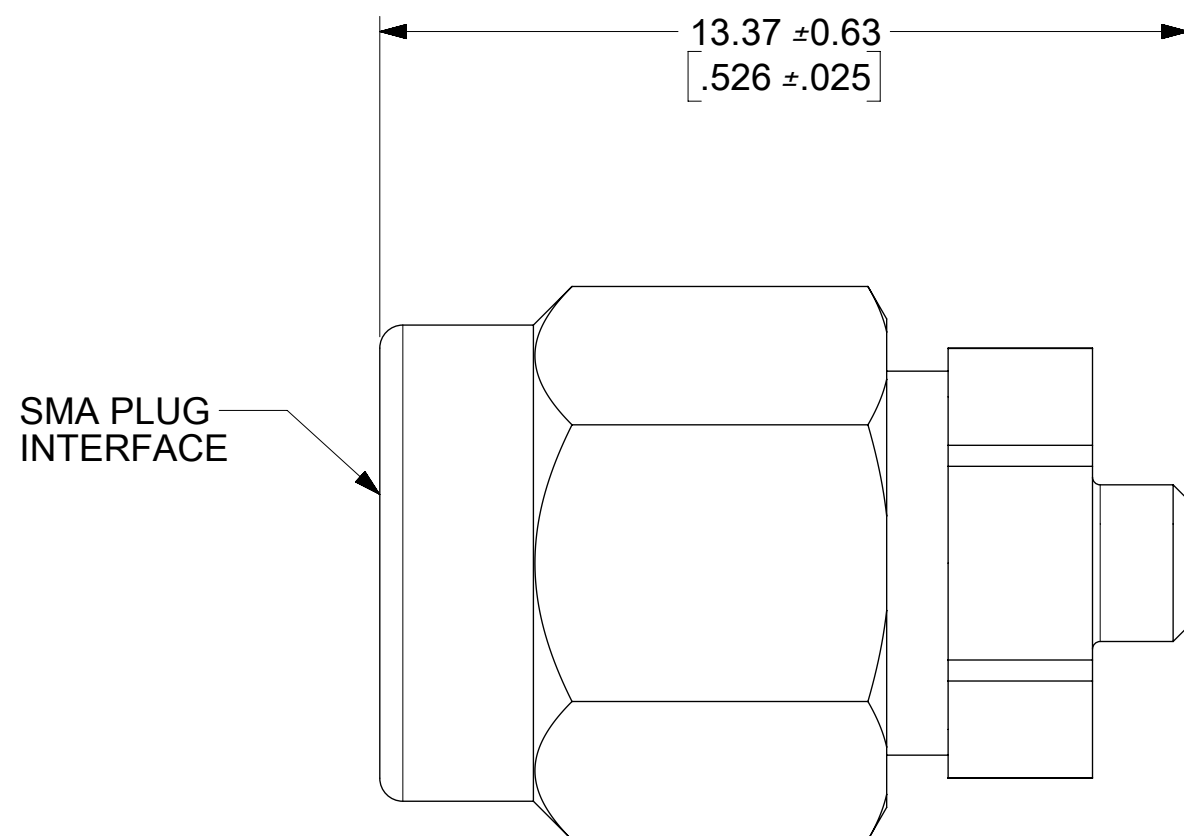
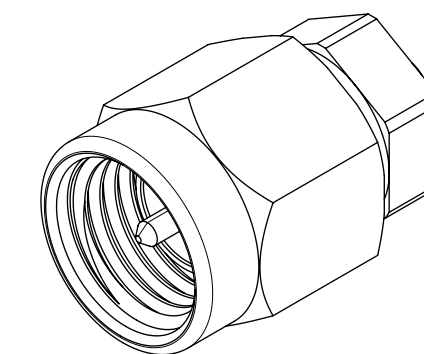
MATERIALS AND FINISHES

BODY, COUPLING NUT: STAINLESS STEEL  
PLATED GOLD OVER NICKEL

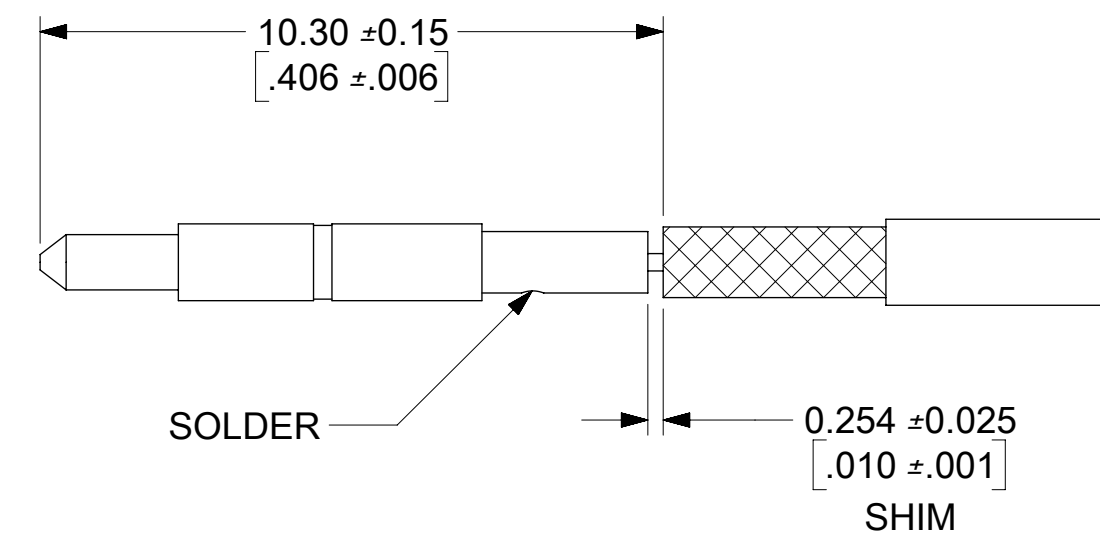
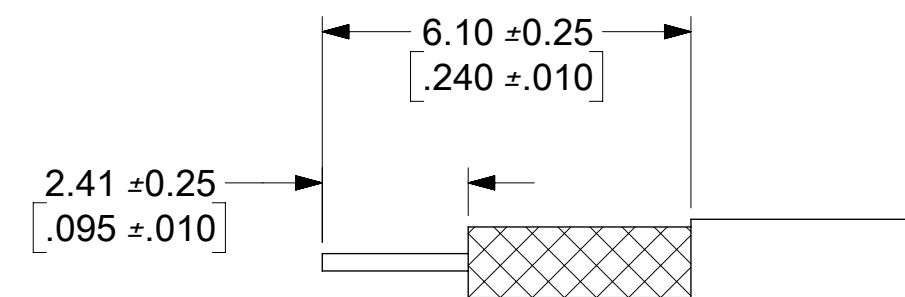
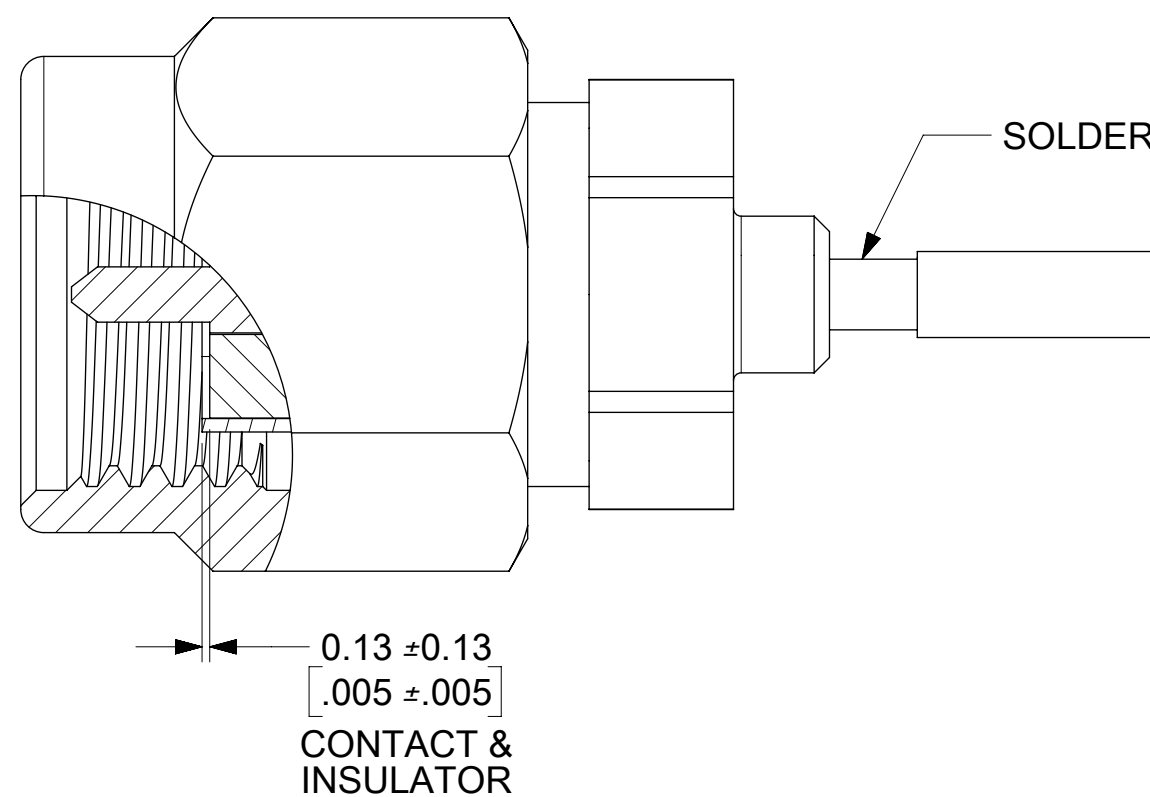
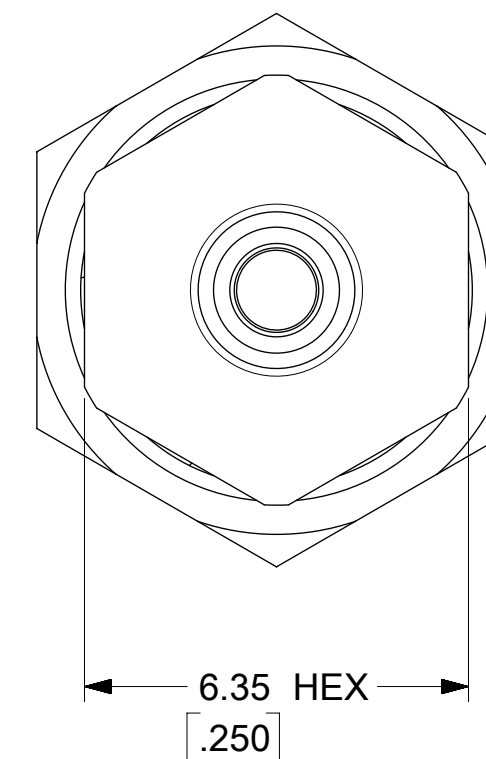
CENTER CONTACT: BRASS  
PLATED GOLD OVER NICKEL

INSULATOR: TEFLON

GASKET: SILICONE RUBBER



CONTACT



PART #73251-3100

MIL-STD-348A, FIG. 310.1	INTERFACE
SPECIFICATION	DESCRIPTION

<b>SYMBOLS</b> DIMENSION UNITS: MM/IN SCALE: CURRENT REV DESC: REMASTERED TO NX GENERAL TOLERANCES (UNLESS SPECIFIED) ANGULAR TOL ± 2.0° 4 PLACES ± 3 PLACES ± 2 PLACES ± 1 PLACE ± 0 PLACES ± DRAFT WHERE APPLICABLE MUST REMAIN WITHIN DIMENSIONS THIRD ANGLE PROJECTION DRAWING SERIES: C-SIZE 73251	THIS DRAWING CONTAINS INFORMATION THAT IS PROPRIETARY TO MOLEX ELECTRONIC TECHNOLOGIES, LLC AND SHOULD NOT BE USED WITHOUT WRITTEN PERMISSION		
	EC NO: 177111 DRWN: NSRIVATSAHS 2018/02/13 CHK'D: CCV 2018/05/23 APPR: YCHENG 2018/05/24 INITIAL REVISION: DRWN: SSHAH 2006/11/28 APPR: JWIENER 2006/11/28		
molex		SMA PLUG 047 CABLE 50 OHMS SMA-PC	
PRODUCT CUSTOMER DRAWING			
DOCUMENT NUMBER: SD-73251-310		DOC TYPE: PSD	DOC PART: 001
MATERIAL NUMBER: 732513100		CUSTOMER: GENERAL MARKET	SHEET NUMBER: 1 OF 1
REVISION: C4		SHEET NUMBER: 1 OF 1	