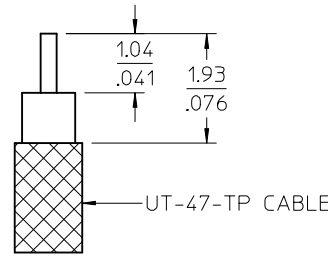
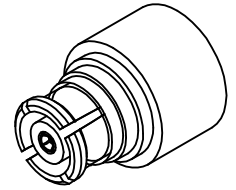
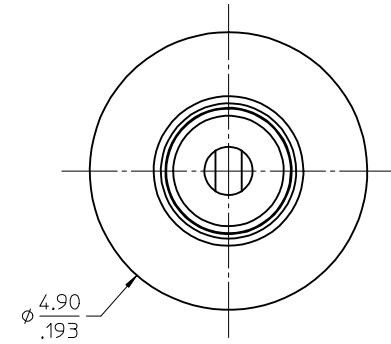
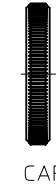
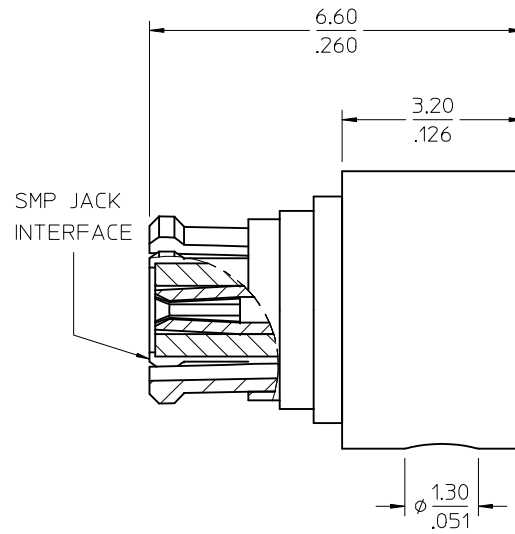


MATERIALS AND FINISHES:

BODY, CENTER CONTACT: BERYLLIUM COPPER  
PLATED GOLD

INSULATOR: TEFLON

CLIP, CAP: BRASS  
PLATED GOLD



CABLE PREP DIMENSION

73415-3720	TRAY
PART NO.	PACKAGING

MIL-STD-348A, FIG. 326.1	INTERFACE	CHG: ISOMETRIC VIEW ADD RF15-E204 EC NO: URF2015-0639 DRW:RYEH 2015/05/15 CHKD: APPR:YCHENG 2015/05/25 DESCRIPTION REV A1	QUALITY SYMBOLS ∇=0 ∇=0 ∇=0	GENERAL TOLERANCES (UNLESS SPECIFIED)		DIMENSION STYLE MM/IN		SCALE 15:1	DESIGN UNITS METRIC	THIRD ANGLE PROJECTION
	SPECIFICATION			DESCRIPTION	mm	INCH	DRAWN BY TEF	DATE 2001/11/29	TITLE SMP JACK, UT-47-TP CABLE R/A EWR-1490 SMP-JC	
				ANGULAR ± 2°		MATERIAL NO.		DOCUMENT NO.		SHEET NO.
				DRAFT WHERE APPLICABLE MUST REMAIN WITHIN DIMENSIONS		SEE TABLE		SD-73415-372		1 OF 1
THIS DRAWING CONTAINS INFORMATION THAT IS PROPRIETARY TO MOLEX INCORPORATED AND SHOULD NOT BE USED WITHOUT WRITTEN PERMISSION										