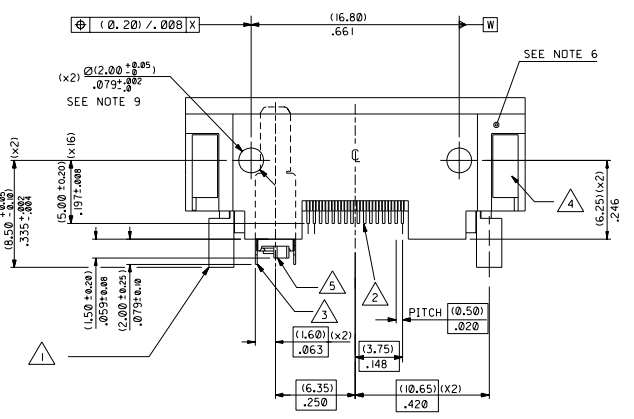
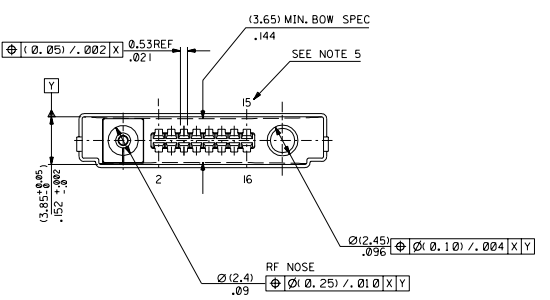
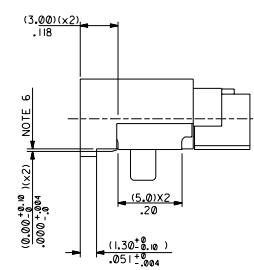
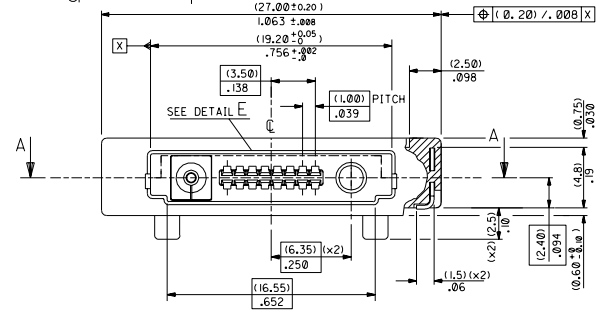


| COMPONENT | PCB PAD DIMENSION | QTY |
|-----------------------------------|---|-----|
| LOCKING LATCHES Δ 1 | (2.60)/.102 x (4.65)/.183 Φ (0.10) / .004 R (x2) | |
| SIGNAL CONTACTS Δ 2 | (0.35) ±0.05 / .014 ±0.002 x (2.0)/.08 Φ (0.10) / .004 R (x16) | |
| OUTER CO-AX CONDUCTOR Δ 3 | (1.30)/.051 x (2.21)/.087 Φ (0.10) / .004 R (x2) | |
| SMT RETENTION PADS Δ 4 | (2.50)/.098 x (5.01)/.197 Φ (0.10) / .004 R (x2) | |
| CENTRE CO-AX CONDUCTOR Δ 5 | (0.90)/.035 x (2.21)/.087 Φ (0.10) / .004 R (x1) | |

- NOTES:
- MATERIALS:
HOUSING: NYLON 46 50% CLASS FILLED COLOUR BLACK
SMT RETENTION PADS: PHOSPHOR BRONZE (0.30)/.012 REF. THICK.
PLATING: (3-5um)/.118-.197um TIN,
OVER (1.27um)/.050um NICKEL
 - LOCKING LATCHES: PHOSPHOR BRONZE (0.30)/.012 REF. THICK.
PLATING: (3-5um)/.118-.197um TIN,
OVER (1.27um)/.050um NICKEL
 - SIGNAL CONTACTS: PHOSPHOR BRONZE (0.20)/.008 REF. THICK.
PLATING: (1.27um)/.050um MIN. NICKEL UNDERCOAT OVERALL.
GOLD FLASH (0.1um)/.004um MIN.
OVER PALLADIUM NICKEL (1.0um)/.039um MIN. IN CONTACT AREA. (3.0um)/.118um MIN. TIN ON TAIL SECTION.
 - MATES WITH 90813 SERIES PLUG CONNECTOR.
 - SEE SPECIFICATION P5 99020-0045.
 - RF CONNECTOR PART NUMBER 90854-0003.
 - POWER CONTACTS TO BE ON CIRCUITS 1,2,15,16.
 - ALL SMT TAILS TO LIE WITHIN A COPLANARITY BAND OF (0.0)/.0 - (0.1)/.004 REF. FROM EACH OTHER AND BELOW HOUSING BASE.
 - COMPONENTS PACKAGED IN TRAYS P/NO. T.B.C.
 - PRODUCT I.D. MARK *** HOT STAMPED IN (1.5)/.06 HIGH TEXT.
WEEK NO. _____ SALES DRAWING REVISION
 - PEGS ARE NOT TO BE USED FOR PCB LOCATION



| | | | | | | | | | |
|--|--|--|----------------|-------------------|--|--|--|---|--------|
| REMOVE LEAD FROM PLATING EC. NO. E2004-0574 DRAWN: DCARTON 22/12/03 CHK: _____ APPR: _____ | QUALITY SYMBOLS MAJOR = \blacktriangledown CRITICAL = \blacktriangle | GENERAL TOLERANCES: (UNLESS SPECIFIED) | | SCALE: 5:1 | DESIGN UNITS: <input checked="" type="checkbox"/> mm <input type="checkbox"/> INCH | DIMENSIONS: <input checked="" type="checkbox"/> mm <input type="checkbox"/> INCH <input type="checkbox"/> mm ONLY | | SHT: 1 | REV: 0 |
| | | 4 PLACES ±0.1 | 3 PLACES ±0.02 | 2 PLACES ±0.05 | 1 PLACE ±0.10 | DRAWN BY & DATE PKC 94/04/12 | | TITILE: RECEPTACLE I/O CONNECTOR FOR MOBILE PHONE HANDSET | |
| APPROVED BY & DATE | | ANGULARS: ±1/2° | | CHECKED BY & DATE | | MATERIAL NO. 90811-0102 | | DRAWING NO. SDA-90811-0102 | |
| DRAFT WHERE APPLICABLE MUST REMAIN WITHIN DIMENSIONS | | THIS DRAWING CONTAINS INFORMATION THAT IS PROPRIETARY TO MOLEX INCORPORATED AND SHOULD NOT BE USED WITHOUT WRITTEN PERMISSION. | | CAD FILENAME | | SHEET NO. 1 OF 1 | | SIZE D | |