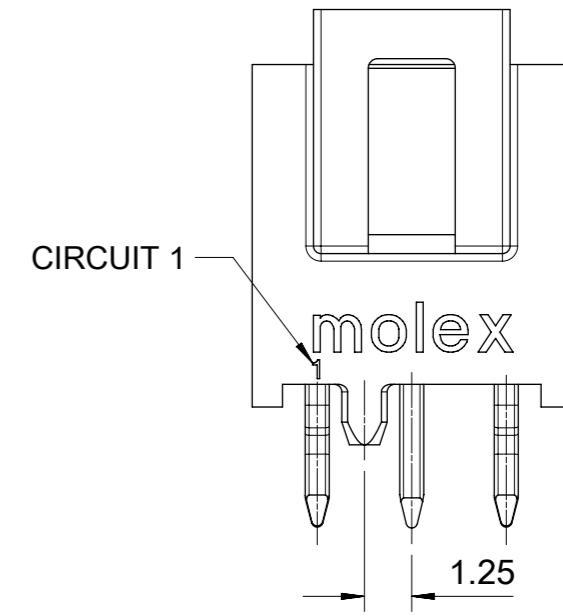
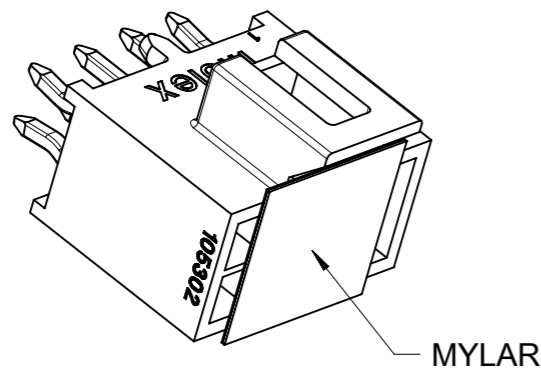


RECOMMENDED PCB(CONNECTOR SIDE VIEW)
THICKNESS=1.6 TO 2.4 MM



ONLY FOR CKT 6, 10, 14
OTHER DIMENSIONS REFER TO LEFT VIEWS.



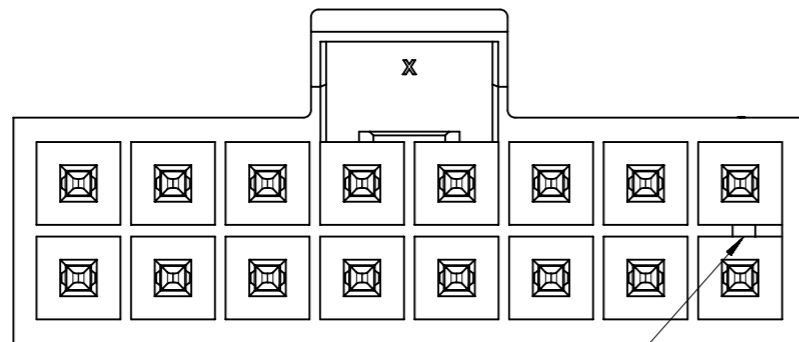
| | | | | | |
|--|---|-----------------------------|-------------------|--------------------------------|--------------------------|
| FUNCTIONAL SYMBOLS | THIS DRAWING CONTAINS INFORMATION THAT IS PROPRIETARY TO MOLEX ELECTRONIC TECHNOLOGIES, LLC AND SHOULD NOT BE USED WITHOUT WRITTEN PERMISSION | | CURRENT REV DESC: | | molex |
| | GENERAL TOLERANCES (UNLESS SPECIFIED) | ANGULAR TOL $\pm 3.0^\circ$ | EC NO: 698973 | 2022/03/07 | |
| DIVISIONAL SYMBOLS | 4 PLACES \pm | DRWN: GLLI | 2022/03/11 | 2022/03/11 | PRODUCT CUSTOMER DRAWING |
| | 3 PLACES ± 0.1 | CHK'D: XQZHANG | 2022/03/11 | 2022/03/11 | |
| | 2 PLACES ± 0.2 | APPR: XQZHANG | 2022/03/11 | 2022/03/11 | |
| | 1 PLACE ± 0.3 | INITIAL REVISION: | DRWN: GLLI | 2019/09/24 | 2020/03/16 |
| | 0 PLACES \pm | APPR: YXZHENG | DRWN: GLLI | 2019/09/24 | 2020/03/16 |
| DRAFT WHERE APPLICABLE MUST REMAIN WITHIN DIMENSIONS | THIRD ANGLE PROJECTION | DRAWING: A3-SIZE | SERIES: 105310 | MATERIAL NUMBER: 1053101000-SD | CUSTOMER: GENERAL MARKET |



KEY A

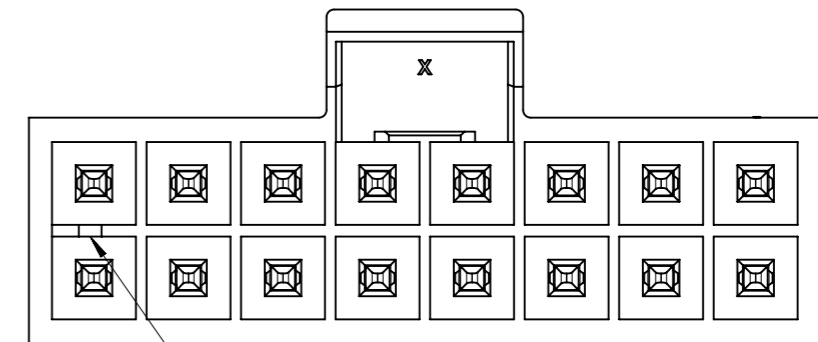


KEY B



KEY A

BLACK



KEY B

NATURAL

COLOR OPTION

| | | | | | | | |
|--|---|---|-------------------------|-----------------------|--|---------------------------------|-----------------------------|
| FUNCTIONAL SYMBOLS | THIS DRAWING CONTAINS INFORMATION THAT IS PROPRIETARY TO MOLEX ELECTRONIC TECHNOLOGIES, LLC AND SHOULD NOT BE USED WITHOUT WRITTEN PERMISSION | | CURRENT REV DESC: | | molex | | |
| | $\nabla_A = 0$ $\nabla_E = 0$ $\nabla_Z = 0$ | DIMENSION UNITS: mm SCALE: 5:1 | | | | | |
| DIVISIONAL SYMBOLS | 4 PLACES | \pm | EC NO: 698973 | 2022/03/07 | PRODUCT CUSTOMER DRAWING | | |
| | 3 PLACES | ± 0.1 | DRWN: GLLI | 2022/03/11 | | | |
| | 2 PLACES | ± 0.2 | CHK'D: XQZHANG | 2022/03/11 | DOCUMENT NUMBER: 1053101000-SD DOC TYPE: PSD DOC PART: 000 REVISION: B1 | | |
| | 1 PLACE | ± 0.3 | APPR: XQZHANG | | | | |
| | 0 PLACES | \pm | INITIAL REVISION: | | | | |
| DRAFT WHERE APPLICABLE MUST REMAIN WITHIN DIMENSIONS | | THIRD ANGLE PROJECTION | DRAWING: A3-SIZE | SERIES: 105310 | MATERIAL NUMBER | CUSTOMER: GENERAL MARKET | SHEET NUMBER: 2 OF 5 |

| PART NUMBER | DIM 'A' | DIM 'B' | CKT SIZE | PLATING | MYLAR |
|-------------|---------|---------|----------|---------------------|-------|
| 105310-3504 | 5.94 | 2.50 | 4 | TIN | YES |
| 105310-3506 | 8.44 | 5.00 | 6 | | |
| 105310-3508 | 10.94 | 7.50 | 8 | | |
| 105310-3510 | 13.44 | 10.00 | 10 | | |
| 105310-3512 | 15.94 | 12.50 | 12 | | |
| 105310-3514 | 18.44 | 15.00 | 14 | | |
| 105310-3516 | 20.94 | 17.50 | 16 | | |
| 105310-3704 | 5.94 | 2.50 | 4 | GOLD 0.38 | |
| 105310-3706 | 8.44 | 5.00 | 6 | | |
| 105310-3708 | 10.94 | 7.50 | 8 | | |
| 105310-3710 | 13.44 | 10.00 | 10 | | |
| 105310-3712 | 15.94 | 12.50 | 12 | | |
| 105310-3714 | 18.44 | 15.00 | 14 | | |
| 105310-3716 | 20.94 | 17.50 | 16 | | |
| 105310-3604 | 5.94 | 2.50 | 4 | GOLD 0.76 | |
| 105310-3606 | 8.44 | 5.00 | 6 | | |
| 105310-3608 | 10.94 | 7.50 | 8 | | |
| 105310-3610 | 13.44 | 10.00 | 10 | | |
| 105310-3612 | 15.94 | 12.50 | 12 | | |
| 105310-3614 | 18.44 | 15.00 | 14 | | |
| 105310-3616 | 20.94 | 17.50 | 16 | | |
| 105310-3804 | 5.94 | 2.50 | 4 | GOLD 0.76 + LUBE | |
| 105310-3806 | 8.44 | 5.00 | 6 | | |
| 105310-3808 | 10.94 | 7.50 | 8 | | |
| 105310-3810 | 13.44 | 10.00 | 10 | | |
| 105310-3812 | 15.94 | 12.50 | 12 | | |
| 105310-3814 | 18.44 | 15.00 | 14 | | |
| 105310-3816 | 20.94 | 17.50 | 16 | | |

COLOR: BLACK



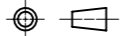
| PART NUMBER | DIM 'A' | DIM 'B' | CKT SIZE | PLATING | MYLAR |
|-------------|---------|---------|----------|---------------------|-------|
| 105310-4504 | 5.94 | 2.50 | 4 | TIN | YES |
| 105310-4506 | 8.44 | 5.00 | 6 | | |
| 105310-4508 | 10.94 | 7.50 | 8 | | |
| 105310-4510 | 13.44 | 10.00 | 10 | | |
| 105310-4512 | 15.94 | 12.50 | 12 | | |
| 105310-4514 | 18.44 | 15.00 | 14 | | |
| 105310-4704 | 5.94 | 2.50 | 4 | GOLD 0.38 | |
| 105310-4706 | 8.44 | 5.00 | 6 | | |
| 105310-4708 | 10.94 | 7.50 | 8 | | |
| 105310-4710 | 13.44 | 10.00 | 10 | | |
| 105310-4712 | 15.94 | 12.50 | 12 | | |
| 105310-4714 | 18.44 | 15.00 | 14 | | |
| 105310-4716 | 20.94 | 17.50 | 16 | | |
| 105310-4604 | 5.94 | 2.50 | 4 | GOLD 0.76 | |
| 105310-4606 | 8.44 | 5.00 | 6 | | |
| 105310-4608 | 10.94 | 7.50 | 8 | | |
| 105310-4610 | 13.44 | 10.00 | 10 | | |
| 105310-4612 | 15.94 | 12.50 | 12 | | |
| 105310-4614 | 18.44 | 15.00 | 14 | | |
| 105310-4616 | 20.94 | 17.50 | 16 | | |
| 105310-4804 | 5.94 | 2.50 | 4 | GOLD 0.76 + LUBE | |
| 105310-4806 | 8.44 | 5.00 | 6 | | |
| 105310-4808 | 10.94 | 7.50 | 8 | | |
| 105310-4810 | 13.44 | 10.00 | 10 | | |
| 105310-4812 | 15.94 | 12.50 | 12 | | |
| 105310-4814 | 18.44 | 15.00 | 14 | | |
| 105310-4816 | 20.94 | 17.50 | 16 | | |

COLOR: NATURAL



| | | | | | | | | | | |
|--------------------|---|-------|--|--|----------------|--|------------|--|---|--|
| FUNCTIONAL SYMBOLS | THIS DRAWING CONTAINS INFORMATION THAT IS PROPRIETARY TO MOLEX ELECTRONIC TECHNOLOGIES, LLC AND SHOULD NOT BE USED WITHOUT WRITTEN PERMISSION | | CURRENT REV DESC: | | | | | | | |
| | DIMENSION UNITS | SCALE | | | | | | | GENERAL TOLERANCES (UNLESS SPECIFIED) | |
| △/A = 0 | mm | 5:1 | ANGULAR TOL ± 3.0° | | EC NO: 698973 | | | | | |
| △/E = 0 | 4 PLACES ± | | 3 PLACES ± 0.1 | | DRWN: GLLI | | 2022/03/07 | | HEADER OF NANO-FIT, D/R, KINK, VERTICAL POWER CONNECTOR | |
| △/V = 0 | 2 PLACES ± 0.2 | | 1 PLACE ± 0.3 | | CHK'D: XQZHANG | | 2022/03/11 | | PRODUCT CUSTOMER DRAWING | |
| DIVISIONAL SYMBOLS | 0 PLACES ± | | DRAFT WHERE APPLICABLE MUST REMAIN WITHIN DIMENSIONS | | APPR: XQZHANG | | 2022/03/11 | | DOCUMENT NUMBER | |
| | | | THIRD ANGLE PROJECTION | | DRAWING | | SERIES | | MATERIAL NUMBER | |
| | | | | | A3-SIZE | | 105310 | | CUSTOMER | |
| | | | | | | | | | 1053101000-SD | |
| | | | | | | | | | PSD 000 B1 | |
| | | | | | | | | | GENERAL MARKET | |
| | | | | | | | | | 3 OF 5 | |

| | | | | | |
|---|---------|--|---|---|---|
| | | 4 CKT | 6 CKT | 8 CKT | 10 CKT |
| F | BLACK |  |  |  |  |
| E | NATURAL |  |  |  |  |
| | | 12 CKT | 14 CKT | 16 CKT | |
| D | BLACK |  |  |  | |
| C | NATURAL |  |  |  | |

| | | | | | | | |
|--|---|---|---------------------------------------|--------------|---------------------------|-----------------|----------------|
| FUNCTIONAL SYMBOLS | THIS DRAWING CONTAINS INFORMATION THAT IS PROPRIETARY TO MOLEX ELECTRONIC TECHNOLOGIES, LLC AND SHOULD NOT BE USED WITHOUT WRITTEN PERMISSION | | CURRENT REV DESC: | | molex | | |
| | SCALE | 3:1 | | | | | |
| FUNCTIONAL SYMBOLS | mm | | GENERAL TOLERANCES (UNLESS SPECIFIED) | | EC NO: 698973 | | |
| FUNCTIONAL SYMBOLS | | | ANGULAR TOL ± 3.0° | | DRWN: GLLI 2022/03/07 | | |
| DIVISIONAL SYMBOLS | 4 PLACES | ± | 4 PLACES ± | | CHK'D: XQZHANG 2022/03/11 | | |
| DIVISIONAL SYMBOLS | 3 PLACES | ± 0.1 | 3 PLACES ± 0.1 | | APPR: XQZHANG 2022/03/11 | | |
| DIVISIONAL SYMBOLS | 2 PLACES | ± 0.2 | 2 PLACES ± 0.2 | | INITIAL REVISION: | | |
| DIVISIONAL SYMBOLS | 1 PLACE | ± 0.3 | 1 PLACE ± 0.3 | | DRWN: GLLI 2019/09/24 | | |
| DIVISIONAL SYMBOLS | 0 PLACES | ± | 0 PLACES ± | | APPR: YXZHENG 2020/03/16 | | |
| DRAFT WHERE APPLICABLE MUST REMAIN WITHIN DIMENSIONS | | THIRD ANGLE PROJECTION | | DRAWING | SERIES | MATERIAL NUMBER | CUSTOMER |
| | |  | | A3-SIZE | 105310 | 1053101000-SD | GENERAL MARKET |
| | | | | DOC TYPE | DOC PART | REVISION | |
| | | | | PSD | 000 | B1 | |
| | | | | SHEET NUMBER | | 4 OF 5 | |

NOTES FOR ALL PARTS

1> MATERIAL:
HOUSING: LCP, UL 94V-0; TERMINAL: BRASS.

2> PLATING FINISHED:
TERMINAL:
CONTACT AREA: a. REFLOW MATTE TIN 1.5MICRONS MIN;
b. GOLD 0.38 MICRONS MIN;
c. GOLD 0.76 MICRONS MIN.
SOLDER AREA: MATTE TIN 1.5 MICRONS MIN, UNDER PLATING NICKEL 1.25 MICRONS MIN.

3> PRODUCT SPECIFICATION: PS-105300-100.
4> PACKAGE: TAPE REEL, 1053101000-PK.
5> PRODUCT MATE WITH SERIES OF 105308(RECEPTACLE), 105300(CRIMP TERMINAL).
6> PARTS CONFORM TO CLASS 'B'REQUIREMENTS OF COSMETIC SPECIFICATION PS-45499-002.
7> DISCOLORATION IN THE BANDOLIER PIN CARRIER AREA OF THE PIN IS INHERENT TO THE PLATING PROCESS AND IS DUE TO THE MASKING DEFECT OF THE CARRIER, THIS DISCOLORATION IS IN A NON-FUNCTION AREA OF THE PIN AND WILL NOT AFFECT THE PERFORMANCE OF THE HEADER ASSEMBLY.



IF ANY NUMBER MARK APPEARS ON THIS SURFACE, PLEASE DISREGARD IT, IT IS NO ANY FUCTION AND NO ANY RELATION TO PIN NUMBER, IT IS JUST FOR MOLDING IDENDIFICATION.

| | | | | | | | | | | | | | | | | | | | |
|--------------------|--|--|--|------------------------|--|---|--|--------|--|---|--|----------------|--|----------|--|--|--|--|--|
| FUNCTIONAL SYMBOLS | | | | | | | | | | THIS DRAWING CONTAINS INFORMATION THAT IS PROPRIETARY TO MOLEX ELECTRONIC TECHNOLOGIES, LLC AND SHOULD NOT BE USED WITHOUT WRITTEN PERMISSION | | | | | | | | | |
| FUNCTIONAL SYMBOLS | | DIMENSION UNITS | | SCALE | | CURRENT REV DESC: | | | | | | | | | | | | | |
| ▽/A = 0 | | mm | | 1:1 | | EC NO: 698973 DRWN: GLLI 2022/03/07 CHK'D: XQZHANG 2022/03/11 APPR: XQZHANG 2022/03/11 INITIAL REVISION: DRWN: GLLI 2019/09/24 APPR: YXZHENG 2020/03/16 | | | | | | | | | | | | | |
| ▽/E = 0 | | GENERAL TOLERANCES (UNLESS SPECIFIED) | | | | | | | | | | | | | | | | | |
| ▽/F = 0 | | ANGULAR TOL ± 3.0 ° | | | | | | | | | | | | | | | | | |
| DIVISIONAL SYMBOLS | | 4 PLACES | | ± | | | | | | | | | | | | | | | |
| | | 3 PLACES | | ± 0.1 | | DOCUMENT NUMBER | | | | DOC TYPE | | DOC PART | | REVISION | | | | | |
| | | 2 PLACES | | ± 0.2 | | 1053101000-SD | | | | PSD | | 000 | | B1 | | | | | |
| | | 1 PLACE | | ± 0.3 | | MATERIAL NUMBER | | | | CUSTOMER | | | | | | | | | |
| | | 0 PLACES | | ± | | A3-SIZE | | | | 105310 | | GENERAL MARKET | | | | | | | |
| | | DRAFT WHERE APPLICABLE MUST REMAIN WITHIN DIMENSIONS | | THIRD ANGLE PROJECTION | | DRAWING | | SERIES | | SHEET NUMBER | | | | | | | | | |
| | | | | | | A3-SIZE | | 105310 | | 5 OF 5 | | | | | | | | | |