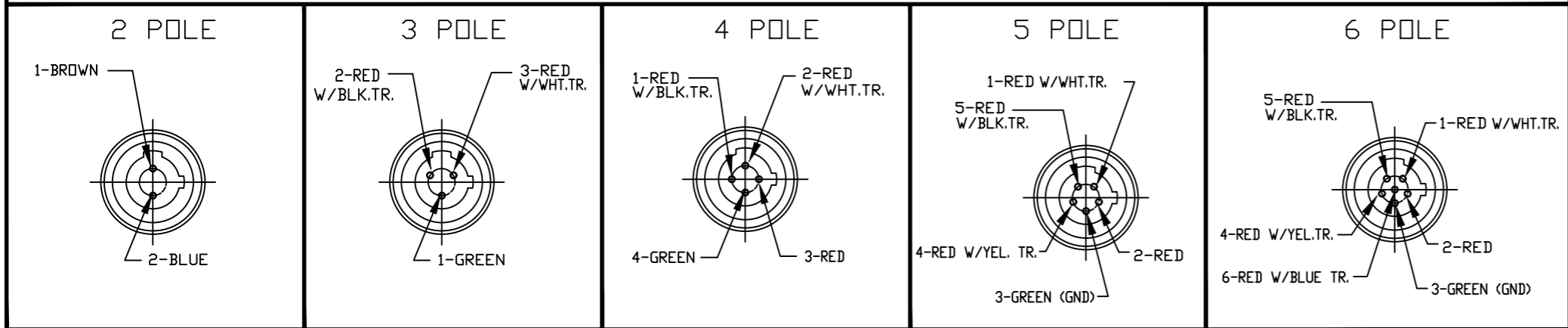


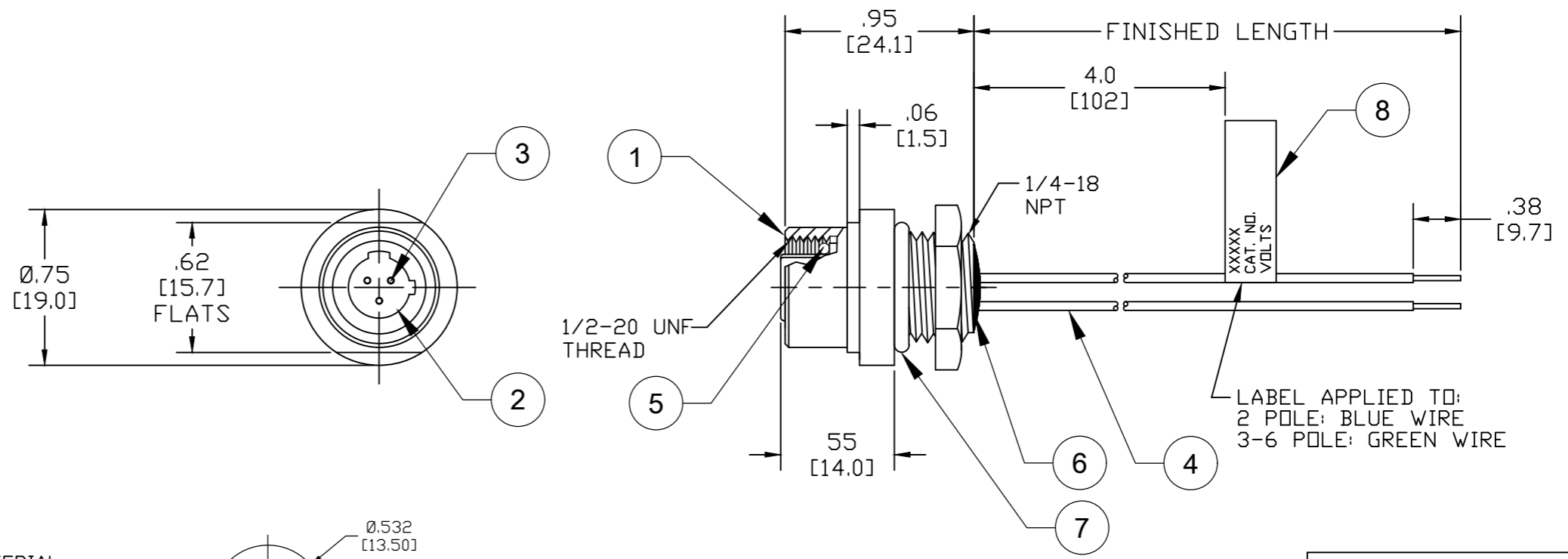
FRONT VIEW — FEMALE INSERT WIRING COLOR CODE



CABLE LENGTH TOLERANCES

>.3M [1FT]:	+19mm-0 [+1.75in-0]
.3 - .9M [1 - 3FT]:	+44.5mm-0 [+1.75in-0]
.9 - 1.8M [3 - 6FT]:	+55.6mm-0 [+2.19in-0]
1.8 - 3.7M [6 - 12FT]:	+88.9mm-0 [+3.50in-0]
3.7 - 7.3M [12 - 24FT]:	+165.1mm-0 [+6.50in-0]
7.3-14.6M [24 - 48FT]:	+317.5mm-0 [+12.50in-0]
14.6 - 30.5M [48-100FT]:	+622.3mm-0 [+24.50in-0]
OVER 30M [100FT]	+2% OF FINISHED LENGTH

- NOTES:
1. MATERIAL: AS NOTED
  2. FINISH: AS NOTED
  3. ELECTRICAL:  
VOLTAGE: 250V AC/DC  
CURRENT: 4A
  4. TEMP RATING: -25°C TO +105°C
  5. PROTECTION: IP67 (WHEN MATED)
  6. COUPLING THREAD: AS NOTED
  7. UL LISTED FILE: E152210  
CSA CERTIFIED FILE: LR6837
  8. ALL DIMS ARE FOR REFERENCE UNLESS TOLERANCED OR NOTED OTHERWISE



PART NUMBER LEGEND

7R2A00A19A1201

POLES: 2-6

RECEPTACLE SHELL MATERIAL  
BLANK= ALUM, CLEAR ANODIZE  
01: ST. STEEL 303, PASSIVATED

FINISHED LENGTH:  
A120= 12 IN.  
F020= 2 FEET  
F100= 10 FEET

POLES	PART NO.	ENGINEERING NO.	FINISHED LENGTH	MATERIAL	FINISH
2	1200740014	7R2A00A19A120	12.0 IN. [305MM]	ALUMINUM	CLEAR ANODIZE
3	1200740059	7R3A00A19A1201	3.0 FT [0.9M]	303SS	PASSIVATED
4	1200740122	7R4A00A19A120	12.0 IN. [305MM]	ALUMINUM	CLEAR ANODIZE
5	1200740181	7R5A00A19F030	3.0 FT [0.9M]	ALUMINUM	CLEAR ANODIZE
6	1200740239	7R6A00A19F0601	6.0 FT [1.8M]	303SS	PASSIVATED

ITEM	DESCRIPTION	MATERIAL	FINISH	
8	FLAG LABEL	VINYL	BLACK/YELLOW	
7	O-RING (PANEL SEAL)	NITRILE	BLACK	
6	POTTING MATERIAL	EPOXY		
5	O-RING (MATING SEAL)	NITRILE	RED	
4	WIRE 22AWG (UL1061)	PVC INSULATION	SEE FACE VIEW	
3	CONTACT SOCKET	COPPER ALLOY	GOLD PLATED	
2	FEMALE INSERT	NYLON	BLACK	
1	RECEPTACLE SHELL	SEE P/N CHART	SEE P/N CHART	
	ITEM	DESCRIPTION	MATERIAL	FINISH

SYMBOLS: THIS DRAWING CONTAINS INFORMATION THAT IS PROPRIETARY TO MOLEX ELECTRONIC TECHNOLOGIES, LLC AND SHOULD NOT BE USED WITHOUT WRITTEN PERMISSION

DIMENSION UNITS: INCH/MM SCALE: 1:1

GENERAL TOLERANCES (UNLESS SPECIFIED):

4 PLACES	±---	±---
3 PLACES	±---	±---
2 PLACES	±---	±---
1 PLACE	±---	±---
0 PLACES	±---	±---

ANGULAR TOL ± ---°

DRAFT WHERE APPLICABLE MUST REMAIN WITHIN DIMENSIONS

THIRD ANGLE PROJECTION

DRAWING: B-SIZE

SERIES: 120074

CURRENT REV DESC: RELEASED

EC NO: 629085

DRWN: RSTONE 2019/11/25

CHK'D: MZIELINSKI 2019/12/12

APPR: BWOODMAN 2020/01/02

INITIAL REVISION:

DRWN: RSTONE 2019/11/25

APPR: BWOODMAN 2020/01/02

DOCUMENT NUMBER: 1200740014

DOC TYPE: PSD

DOC PART: 000

REVISION: A

MATERIAL NUMBER: ---

CUSTOMER: ---

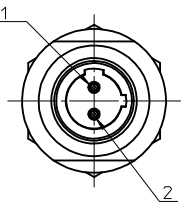
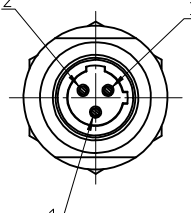
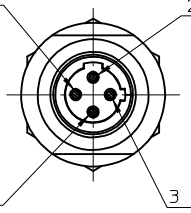
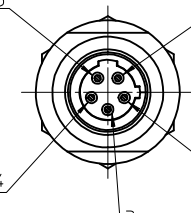
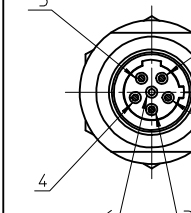
SHEET NUMBER: 1 OF 1

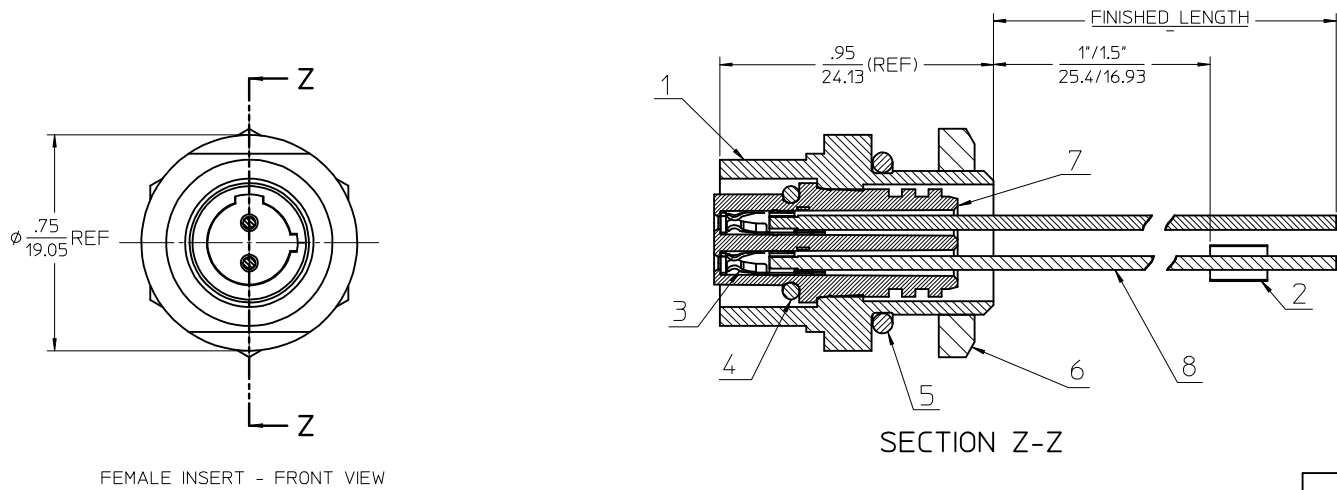
**molex**

MICRO-CHANGE FEMALE RECEPTACLE  
2-6 POLE, DUAL KEY, 22AWG, AC COLOR

PRODUCT CUSTOMER DRAWING

# FACE VIEW - FEMALE INSERT SCALE 2 : 1

				
<p>1 BROWN 2 BLUE</p>	<p>1 GREEN 2 RED/BLACK 3 RED/WHITE</p>	<p>1 RED/BLACK 2 RED/WHITE 3 RED 4 GREEN</p>	<p>1 RED/WHITE 2 RED 3 GREEN 4 RED/YELLOW 5 RED/BLACK</p>	<p>1 RED/WHITE 2 RED 3 GREEN 4 RED/YELLOW 5 RED/BLACK 6 RED/BLUE</p>



FINAL ASSEMBLY  
1200740014 (SHOWN)

<b>ENTER DESCRIPTION</b> EC NO: MNA2010-0078 DRAWN: NKUMAR01 2009/08/25 CHKD: 2009/08/27 APPR: JFMURPHY 2009/08/28	<b>QUALITY SYMBOLS</b> ▽=0 ▽=0	<b>GENERAL TOLERANCES (UNLESS SPECIFIED)</b>		<b>DIMENSION STYLE</b> IN/MM	<b>SCALE</b> 2:1	<b>DESIGN UNITS</b> INCH	THIRD ANGLE PROJECTION										
		<table border="1" style="width: 100%; border-collapse: collapse;"> <tr> <th>mm</th> <th>INCH</th> </tr> <tr> <td>4 PLACES ± ---</td> <td>± ---</td> </tr> <tr> <td>3 PLACES ± ---</td> <td>± ---</td> </tr> <tr> <td>2 PLACES ± ---</td> <td>± ---</td> </tr> <tr> <td>1 PLACE ± ---</td> <td>± ---</td> </tr> </table>	mm	INCH	4 PLACES ± ---	± ---		3 PLACES ± ---	± ---	2 PLACES ± ---	± ---	1 PLACE ± ---	± ---	DRAWN BY: NKUMAR01 DATE: 25/08/09 CHECKED BY: BWOODMAN DATE: 25/08/09 APPROVED BY: JFMURPHY DATE: 2009/08/27		TITLE <b>MIC 2P F/FR 12IN. 1/4NPT #22 P</b>	
		mm	INCH														
		4 PLACES ± ---	± ---														
3 PLACES ± ---	± ---																
2 PLACES ± ---	± ---																
1 PLACE ± ---	± ---																
ANGULAR ±1/2°		MATERIAL NO. <b>SEE SHEET 2</b>		DOCUMENT NO. <b>SD-120074-014</b>		SHEET NO. 1 OF 2											
DRAFT WHERE APPLICABLE MUST REMAIN WITHIN DIMENSIONS		THIS DRAWING CONTAINS INFORMATION THAT IS PROPRIETARY TO MOLEX INCORPORATED AND SHOULD NOT BE USED WITHOUT WRITTEN PERMISSION															

FEMALE RECEPTACLE ASSEMBLY

Sl. No.	DESCRIPTION	QUANTITY				
		2 POLE	3 POLE	4 POLE	5 POLE	6 POLE
1	MIC RCPT SHELL FEM 1/4INNPT GRY	1	1	1	1	1
2	LABEL,SELF L.YELLOW(2.25X.75IN)	1	1	1	1	1
3	MIC SOCKET CONTACT - GOLD PLATED				5	6
	MIC SOCKET CONTACT - GOLD PLATED	2	3	4		
4	O-RING.276 ID X .059 THK RED	1	1	1	1	1
5	O-RING .489 ID X .070 THK	1	1	1	1	1
6	#1/4-18IN NPS LOCKNUT	1	1	1	1	1
7	MIC 2P FI (NYLON) PLAIN	1				
	MIC 3P FI (NYLON) PLAIN		1			
	MIC 4P FI (NYLON) PLAIN			1		
	MIC 5P FI (NYLON) PLAIN				1	
	MIC 6P FI (NYLON) PLAIN					1
8	#22-1 BLU PVC WIRE UL1061	1				
	#22-1 GRN PVC WIRE UL1061		1	1	1	1
	#22-1 BRN PVC WIRE UL1061	1				
	#22-1 RED PVC WIRE UL1061			1	1	1
	#22-1 RED/WHT PVC WIRE UL1061		1	1	1	1
	#22-1 RED/BLK PVC WIRE UL1061		1	1	1	1
	#22-1 RED/BLU PVC WIRE UL1061					1
	#22-1 RED/YEL PVC WIRE UL1061				1	1

PART NUMBER	DESCRIPTION	FINISHED LENGTH
1200740014	7R2A00A19A120	12.0" +.75" -0 [0.3M +19.1MM -0]
1200740058	7R3A00A19A120	12.0" +.75" -0 [0.3M +19.1MM -0]
1200740122	7R4A00A19A120	12.0" +.75" -0 [0.3M +19.1MM -0]
1200740178	7R5A00A19A120	12.0" +.75" -0 [0.3M +19.1MM -0]
1200740232	7R6A00A19A120	12.0" +.75" -0 [0.3M +19.1MM -0]

<b>ENTER DESCRIPTION</b> EC NO: MNA2010-0078 DRAWN BY: DRWINAKUMAR01 2009/08/25 CHKD: 2009/08/27 APPR: JFMURPHY 2009/08/28 REV: A	<b>QUALITY SYMBOLS</b> 	GENERAL TOLERANCES (UNLESS SPECIFIED)		DIMENSION STYLE IN/MM	SCALE 2:1	DESIGN UNITS INCH	THIRD ANGLE PROJECTION		
		4 PLACES ± --- ± --- 3 PLACES ± --- ± --- 2 PLACES ± --- ± --- 1 PLACE ± --- ± ---	mm INCH ± --- ± --- ± --- ± --- ± --- ± --- ± --- ± ---	DRAWN BY NKUMAR01	DATE 25/08/09	TITLE MIC 2P F/FR 12IN. 1/4NPT #22 P			
		ANGULAR ±1/2°		CHECKED BY BWOODMAN	DATE 25/08/09	APPROVED BY JFMURPHY			
		DRAFT WHERE APPLICABLE MUST REMAIN WITHIN DIMENSIONS		MATERIAL NO. SEE CHART		DOCUMENT NO. SD-120074-014		SHEET NO. 2 OF 2	



MOLEX INCORPORATED

THIS DRAWING CONTAINS INFORMATION THAT IS PROPRIETARY TO MOLEX INCORPORATED AND SHOULD NOT BE USED WITHOUT WRITTEN PERMISSION