

# S18 3 09 T A1 2 2 \*\*

SERIES  
S18= INTERNAL THREAD FORM A

POLES  
2= 2 POLE & 3= 3 POLE

THREAD  
09= PG9, 11= PG11, M6=M16x1.5, M0= M20x1.5, 12= 1/2" GAS 13= 1/2" NPTF

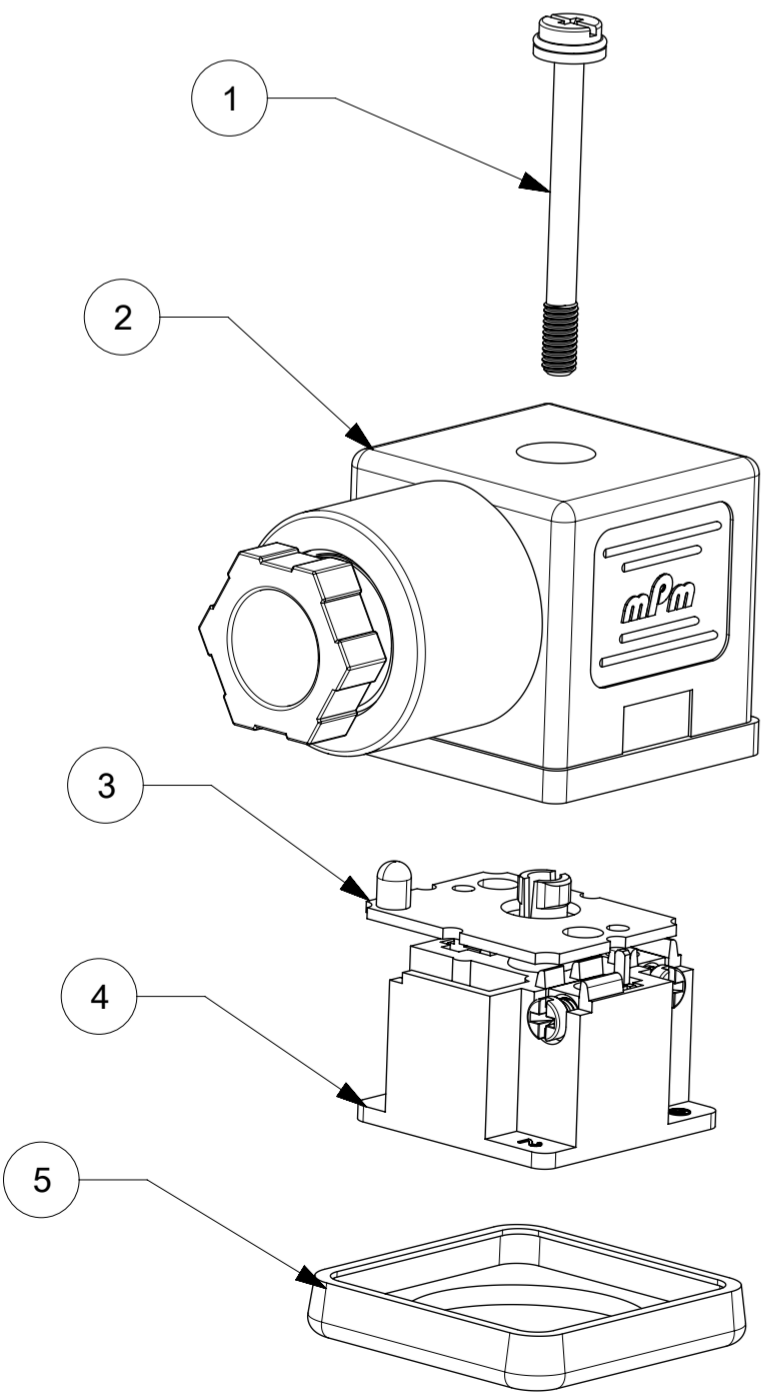
MATERIAL AND HOUSING COLOUR  
G= PA6 GRAY, N= PA6 BLACK, W= PA6 BLACK V0, T= PA12 TRANSPARENT, B= PA6 WHITE

CIRCUIT  
SEE DETAILS IN CATALOGUE

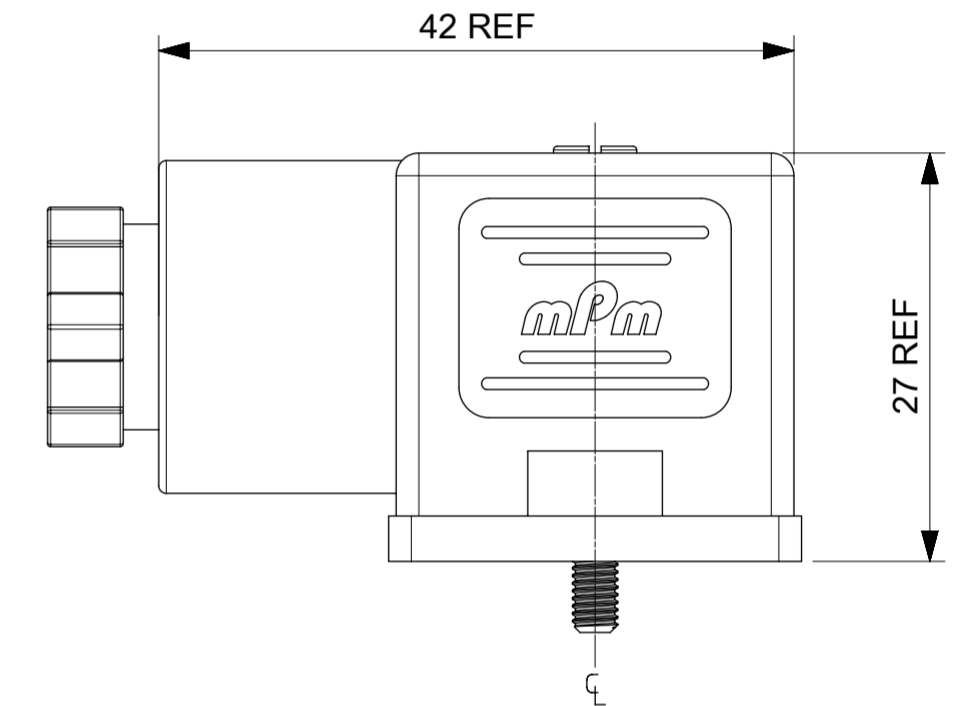
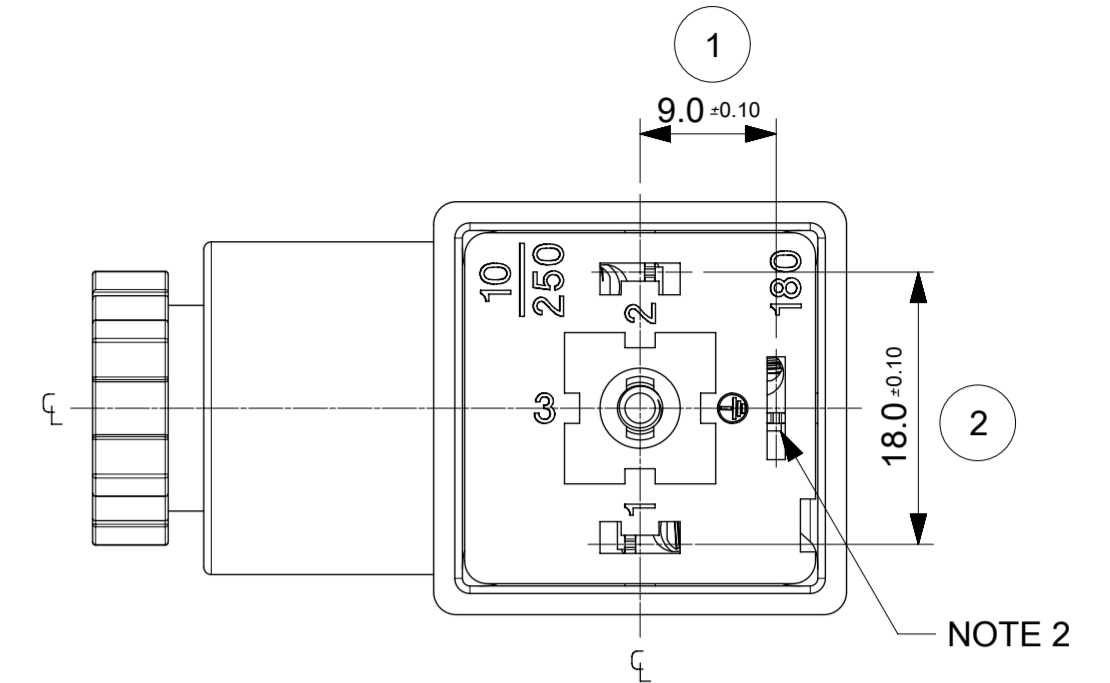
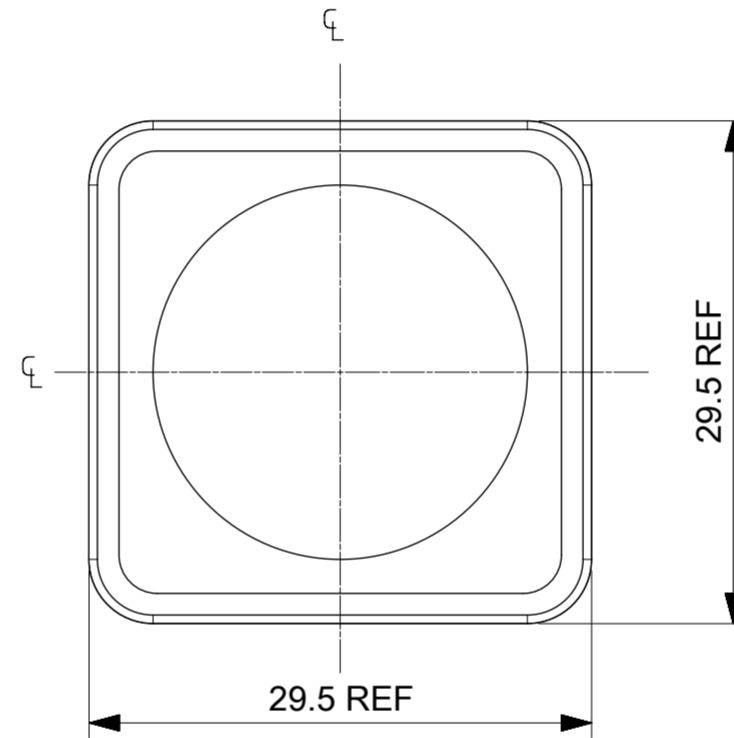
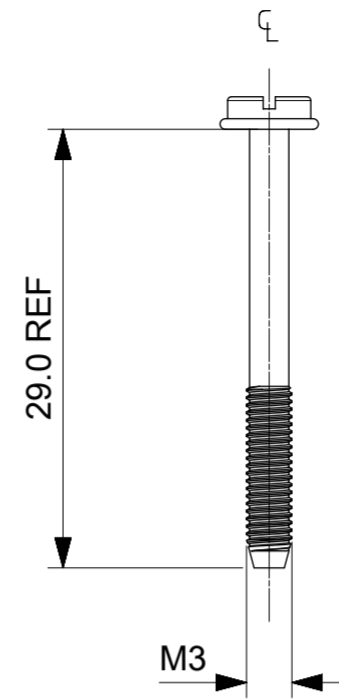
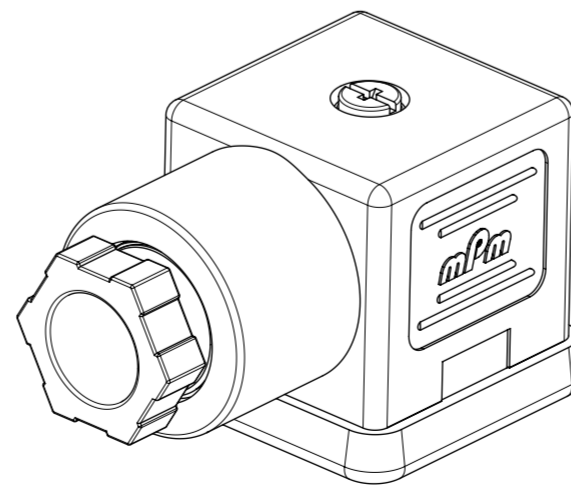
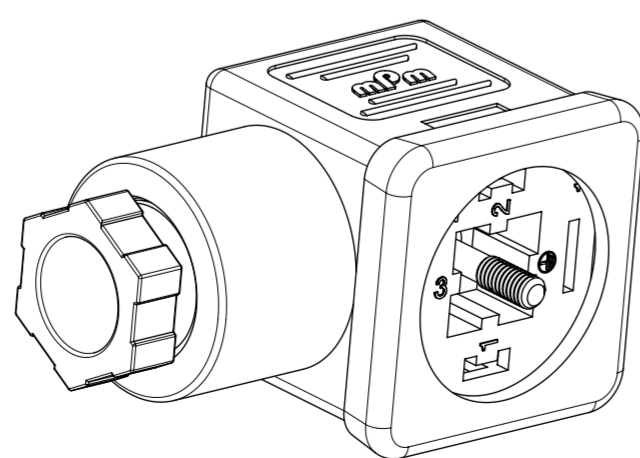
VOLTAGE  
SEE DETAILS IN CATALOGUE

SCREW AND GASKET  
1= NBR PROFILE GASKET & SCREW  
2= NBR FLAT GASKET & SCREW  
3= WHITE SILICON PROFILE GASKET & SCREW  
4= WHITE SILICON FLAT GASKET & SCREW  
A= NBR PROFILE GASKET & SCREW +2mm  
B= NBR FLAT GASKET & SCREW +2mm  
P= SCREW WITH GROMMET (IP67) & NBR INTEGRATED GASKET ASSEMBLED

NON STANDARD COMPONENTS  
14= PACKED IN NEUTRAL BAG  
23= FULLY MOUNTED  
54= WITH PIN 3 AS EARTH  
65= SPECIAL GROMMET  
67= NEUTRAL PACKAGING  
84= TAMPO PRINTING ON DIODE  
3F= 24DC W/O TAMPO PRINTING  
5J= BOXES OF 100  
5N= PACKED IN BOXES OF 200  
6U= GI BY500-800 DIODE  
AF= CENTRE SCREW MOUNTED  
AG= DIODE IN4948  
P7= IP67 COMPLIANT  
SA= UL LISTED PART  
CZ= GROMMET 4 DISCRETE WIRES



ITEM	DESCRIPTION
1	SCREW
2	COVER ASSEMBLY
3	PCB
4	INSERT ASSEMBLY
5	GASKET

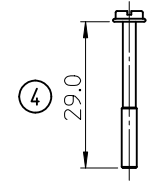
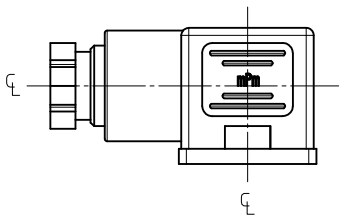
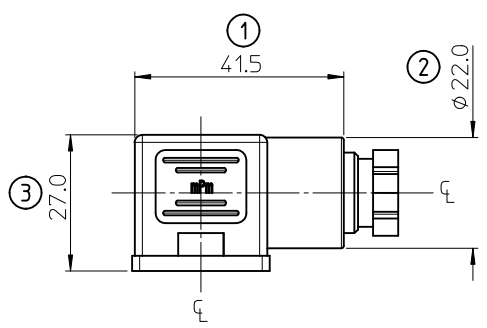


### NOTES

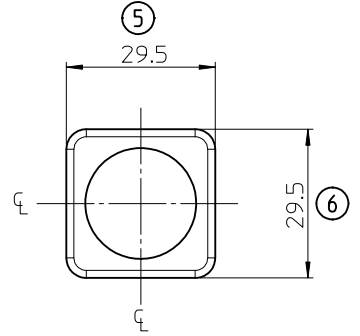
- PLEASE SEE EXCEL SHEET 1210640002\_PDP FOR CURRENTLY CONFIGURED PART NUMBERS.  
FOR SPECIFIC PART NUMBERS PLEASE CONTACT SALES OR CONSULT THE INTELLIGENT PART NUMBER ON THE TOP LEFT OF THIS PAGE.
- EARTH POSITION SHOWN, H12.
- FOR PACKAGING SEE PACKAGING SPEC PK-121064-S18
- PRODUCT SPEC: SEE PS-121201-001

LAST INSPECTION NUMBER 2

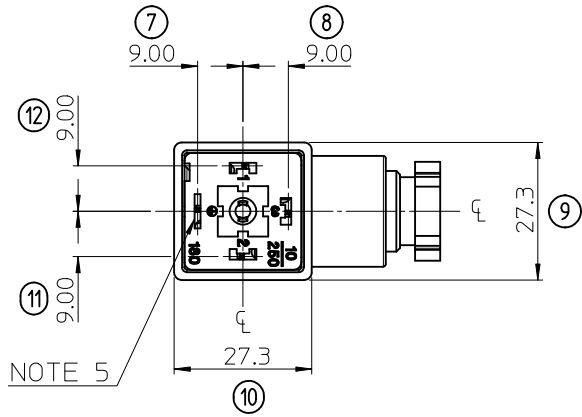
2016/12/16		2016/12/22		GENERAL TOLERANCES (UNLESS SPECIFIED)		DIMENSION UNITS		SCALE				
AE		REV		4 PLACES ±		MM		1.5:1				
DRWN: TCLEARY		CHKD: STGRIFFIN		3 PLACES ±		DRWN BY		DATE		PRODUCT CUSTOMER DRAWING		
APPR: STGRIFFIN		APPR BY		2 PLACES ± 0.1		BCAFFREY		2016/04/11		SERIES		
		DATE		1 PLACE ± 0.2		TCLEARY		2016/12/16		MATERIAL NUMBER		
				0 PLACES ±		STGRIFFIN		2016/04/12		CUSTOMER		
				DRAFT WHERE APPLICABLE MUST REMAIN WITHIN DIMENSIONS		DRAWING SIZE		THIRD ANGLE PROJECTION		121064		
						A2				SEE 1210640002_PDP		
										GENERAL MARKET		
										DOCUMENT NUMBER		
										SD-121064-002		
										DOC TYPE		
										PSD		
										DOC PART		
										000		
										SHEET NUMBER		
										1 OF 1		



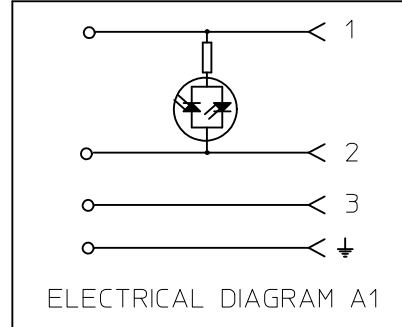
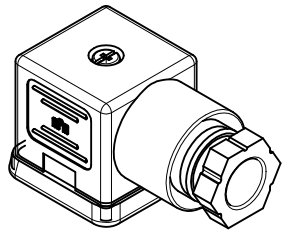
29mm M3 SCREW



G11 GASKET



NOTE 5



ELECTRICAL DIAGRAM A1

FINISHED GOOD
PART No
S183M6TA121
1210641420

PART No	DESCRIPTION	QUANTITY
1211310713	S18 COVER ASSEMBLY, M16x1.5, TRANSPARENT, H12	100
1211330911	S183 INSERT WITH A1 CIRCUIT, 24V, RED LED	100
1211290001	BAG OF 100 SCREWS	1
1211290080	BAG OF 100 GASKETS	1

- NOTES:
1. PRODUCT SPEC: PS-121201-001
  2. PACKAGING: STANDARD BOX 1211160003, FIVE STANDARD BOXES INTO A BIGGER BOX 1211160004
  3. SPQ: 100, MOQ: 100
  4. LABELLING: MOLEX STANDARD LABEL
  5. EARTH POSITION: H12
  6. PARTS SHOULD BE BULK PACK MOUNTED

LAST INSPECTION NUMBER USED: 12

ORIGINAL RELEASE EC NO: WEU2011-0429 DRW:DSHEA 2011/02/22 CHKD:DMAHER 2011/02/22 APPR:EFOLAN 2011/04/04	QUALITY SYMBOLS ▽=0 ◻=0	GENERAL TOLERANCES (UNLESS SPECIFIED)		DIMENSION STYLE MM ONLY	SCALE 1:1	DESIGN UNITS METRIC	THIRD ANGLE PROJECTION		
		4 PLACES ± --- ± --- 3 PLACES ± --- ± --- 2 PLACES ± 0.10 ± --- 1 PLACE ± 0.2 ± ---	mm INCH ± --- ± --- ± 0.10 ± --- ± 0.2 ± ---	DRAWN BY DSHEA	DATE 2011/02/22	TITLE S183 SERIES FIELD ATTACHABLE			
		ANGULAR ± ---°		CHECKED BY DMAHER	DATE 2011/02/22	MOLEX INCORPORATED			
		DRAFT WHERE APPLICABLE MUST REMAIN WITHIN DIMENSIONS		APPROVED BY EFOLAN	DATE 2011/04/04	MATERIAL NO. SEE TABLE	DOCUMENT NO. SD-121064-420	SHEET NO. 1 OF 1	