

6

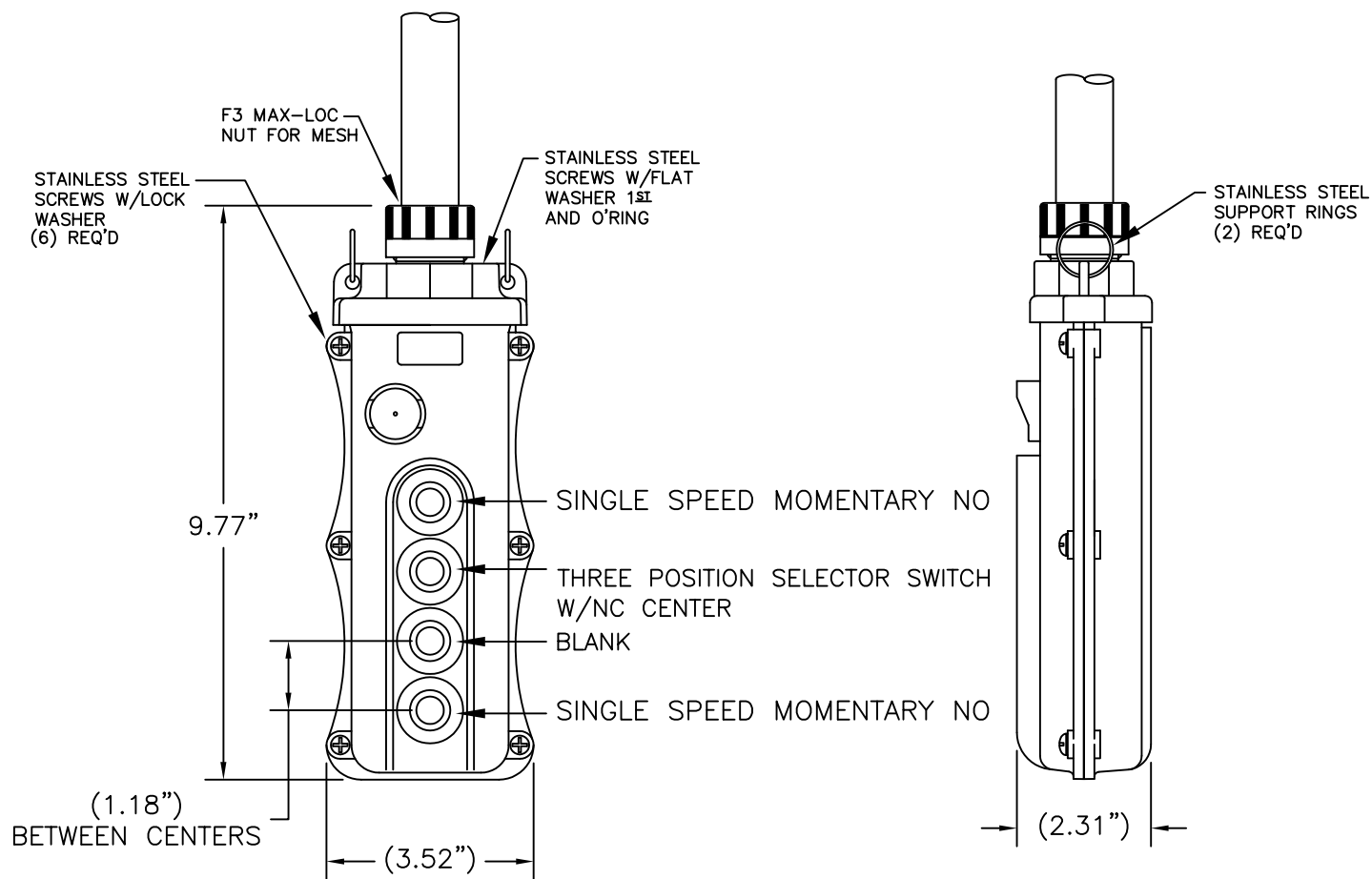
5

4

3

2

1



NOTES:

1. INSTALLATION INSTRUCTIONS, BUTTON ID. LABELS. ARE PACK WITH THE PART.
2. ALL BUTTONS ARE HIGH AMBIENT, CHEMICALLY RESISTANT MATERIAL - COLOR BLACK

RELEASE DRAWING EC NO: WNA2010-0607 DRWN: TVICKERS 2010/03/26 CHKD: HK APPR: DTITUS 2010/06/08 REV: A	DESCRIPTION DTITUS	QUALITY SYMBOLS $\nabla=0$ $\nabla C=0$	GENERAL TOLERANCES (UNLESS SPECIFIED)		DIMENSION STYLE INCH		SCALE NTS	DESIGN UNITS INCH	THIRD ANGLE PROJECTION		
				mm	INCH	DRAWN BY TVICKERS	DATE 2010/03/26	TITLE 4 POS PENDANT W/(2) SINGLE SPD MOMENTARY NO			
			4 PLACES	±---	±---	CHECKED BY HK	DATE 2008/08/08	MOLEX INCORPORATED			
			3 PLACES	±---	±.005	APPROVED BY DTITUS	DATE 2010/06/08	DOCUMENT NO. SD-130126-040		SHEET NO. 1 OF 1	
2 PLACES	±0.13	±.010	ANGULAR ±.5°		MATERIAL NO. 1301260326		THIS DRAWING CONTAINS INFORMATION THAT IS PROPRIETARY TO MOLEX INCORPORATED AND SHOULD NOT BE USED WITHOUT WRITTEN PERMISSION				
1 PLACE	±0.25	±.020	DRAFT WHERE APPLICABLE MUST REMAIN WITHIN DIMENSIONS		SIZE A						

6

5

4

3

2

1