

DIN rail adapter - CUC-PP-D1PGY/R4GC8 - 1418094

Please be informed that the data shown in this PDF Document is generated from our Online Catalog. Please find the complete data in the user's documentation. Our General Terms of Use for Downloads are valid (<http://phoenixcontact.com/download>)



DIN rail adapter, type: RJ45, degree of protection: IP20, number of positions: 8, 1 Gbps, CAT6, material: PC-GF, connection method: Coupling, color: gray

Product Description


DIN rail adapter with RJ45 coupling for the distribution of Ethernet cables

Your advantages

- DIN rail mounting
- Individual marking field
- Security elements available as accessories
- Front-release modules



Key Commercial Data

Packing unit	1 pc
GTIN	 4 055626 133584
GTIN	4055626133584

Technical data

Mechanical characteristics

Number of positions	8
Number of slots	2
Connection profile	RJ45
Insertion/withdrawal cycles	≥ 750
Connection method	Coupling
Color	gray
Insulation resistance	> 500 MΩ (100 V DC)
Degree of protection	IP20
Type	Rail-mountable module

Ambient conditions

DIN rail adapter - CUC-PP-D1PGY/R4GC8 - 1418094

Technical data

Ambient conditions

Ambient temperature (operation)	-10 °C ... 60 °C
Ambient temperature (storage/transport)	-40 °C ... 70 °C

Material data

Flammability rating according to UL 94	V0
Housing material	PC-GF
Contact carrier material	Die-cast zinc alloy
Contact material	CuSn
Contact surface material	Gold over nickel

Electrical characteristics

Number of positions	8
Nominal current I_N	1.5 A
GRP transmission properties	CAT6
Transmission speed	1 Gbps
Frequency range	250 MHz
Rated voltage (III/3)	72 V (DC)

Standards and Regulations

Flammability rating according to UL 94	V0
--	----

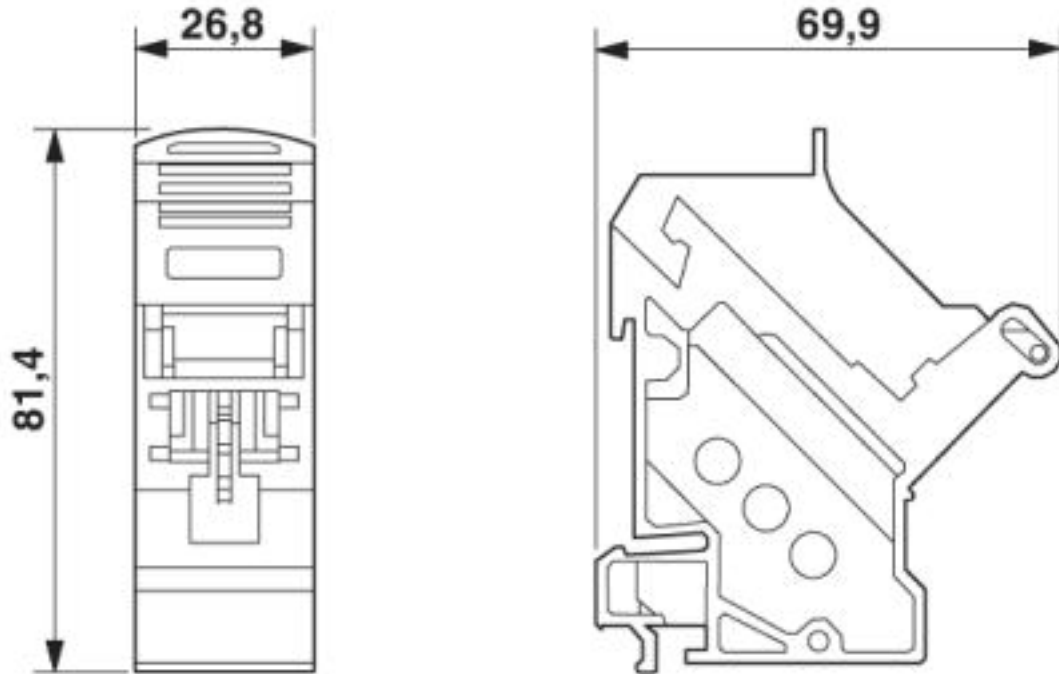
Environmental Product Compliance

China RoHS	Environmentally friendly use period: unlimited = EFUP-e
	No hazardous substances above threshold values

Drawings

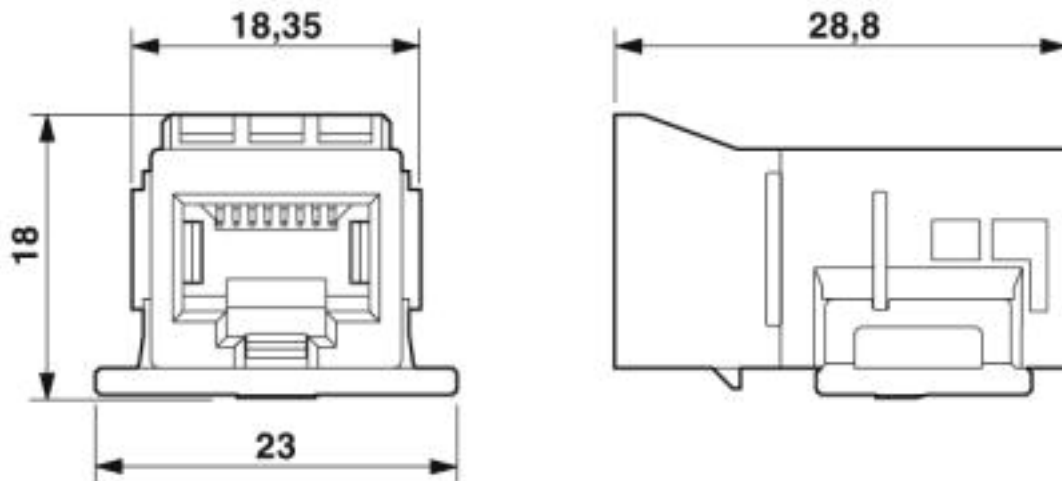
DIN rail adapter - CUC-PP-D1PGY/R4GC8 - 1418094

Dimensional drawing



RJ45 patch panel

Dimensional drawing



RJ45 socket insert, Freenet system

Approvals

Approvals

DIN rail adapter - CUC-PP-D1PGY/R4GC8 - 1418094


Approvals

Approvals

EAC

Ex Approvals

Approval details

EAC		B.01742
-----	---	---------

Phoenix Contact 2019 © - all rights reserved
<http://www.phoenixcontact.com>

PHOENIX CONTACT GmbH & Co. KG
Flachsmarktstr. 8
32825 Blomberg
Germany
Tel. +49 5235 300
Fax +49 5235 3 41200
<http://www.phoenixcontact.com>