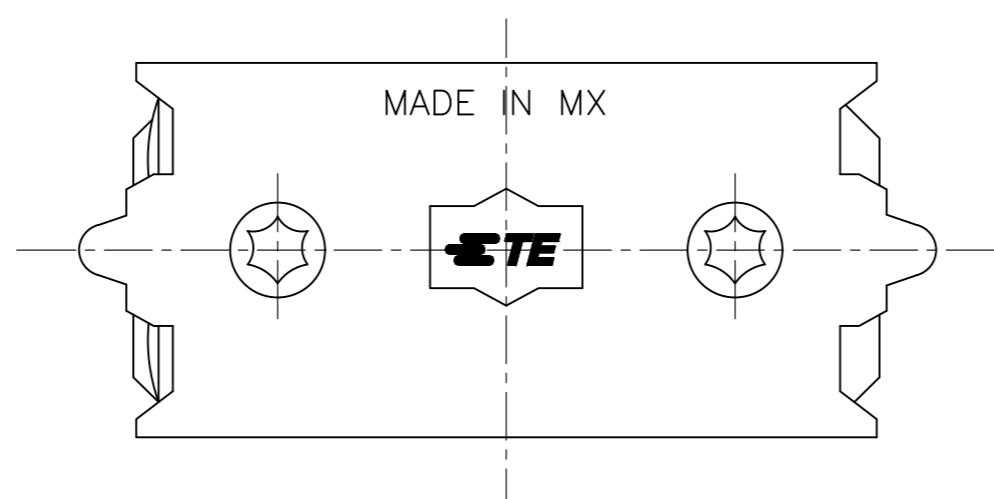
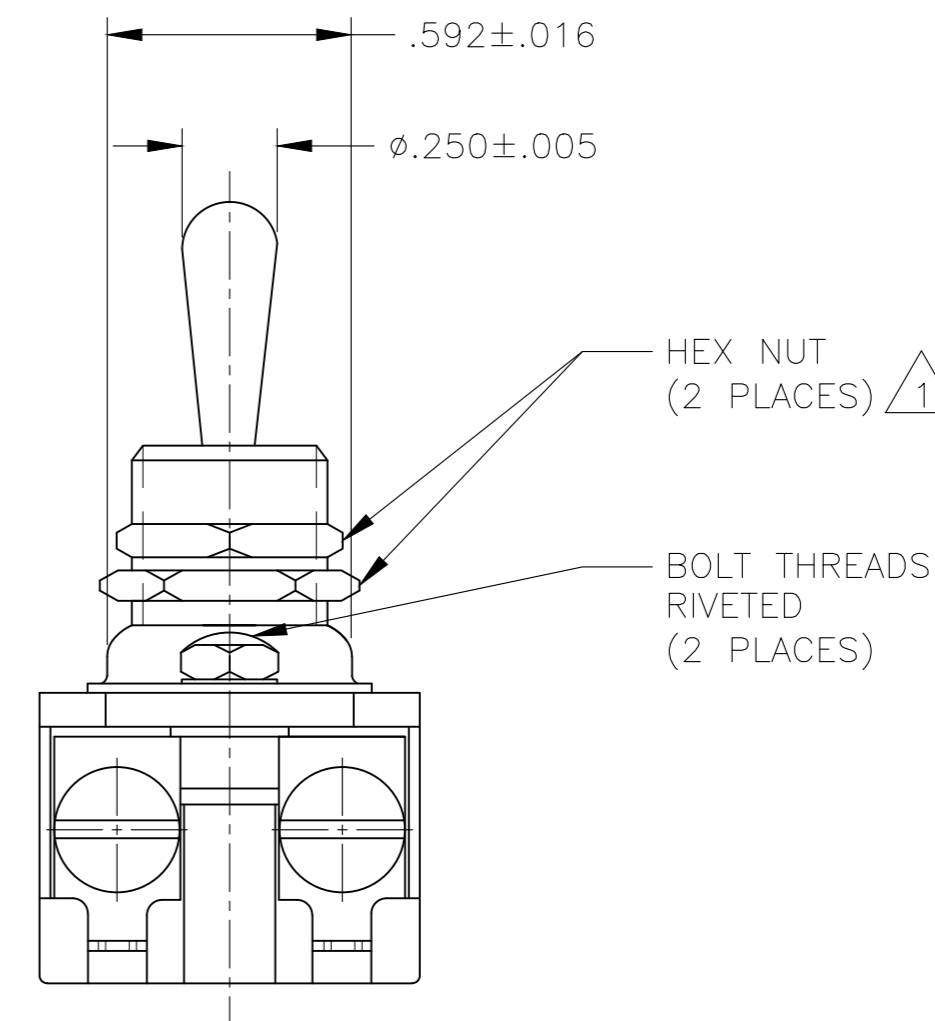
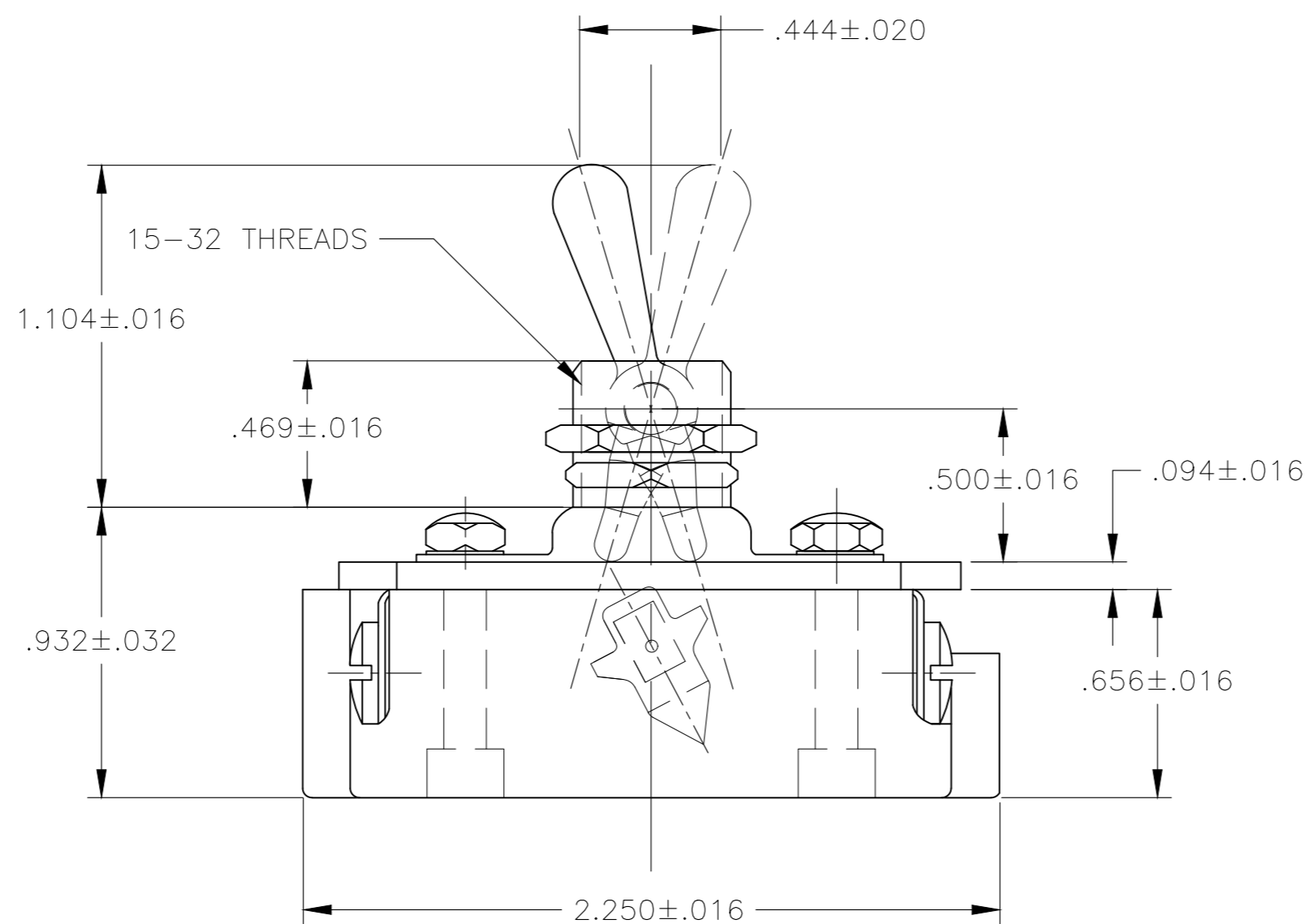
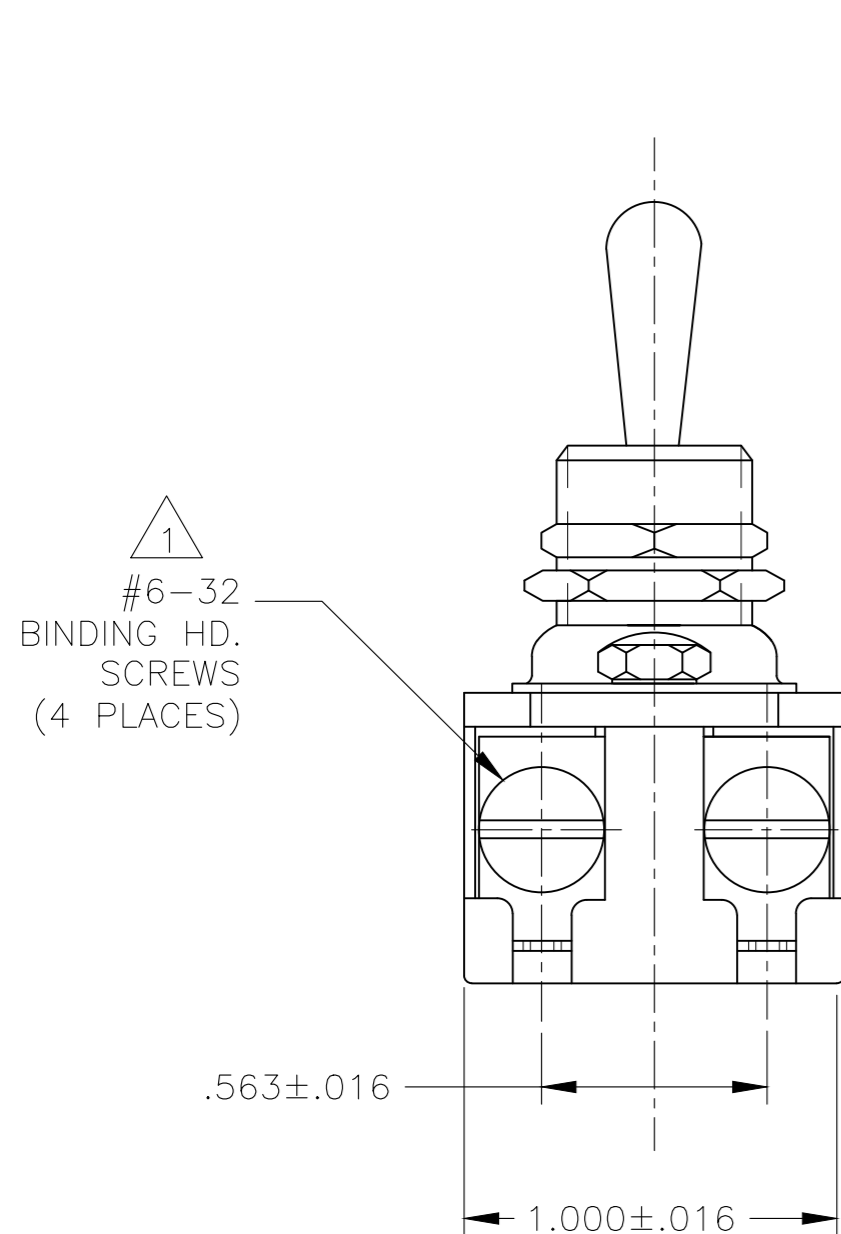
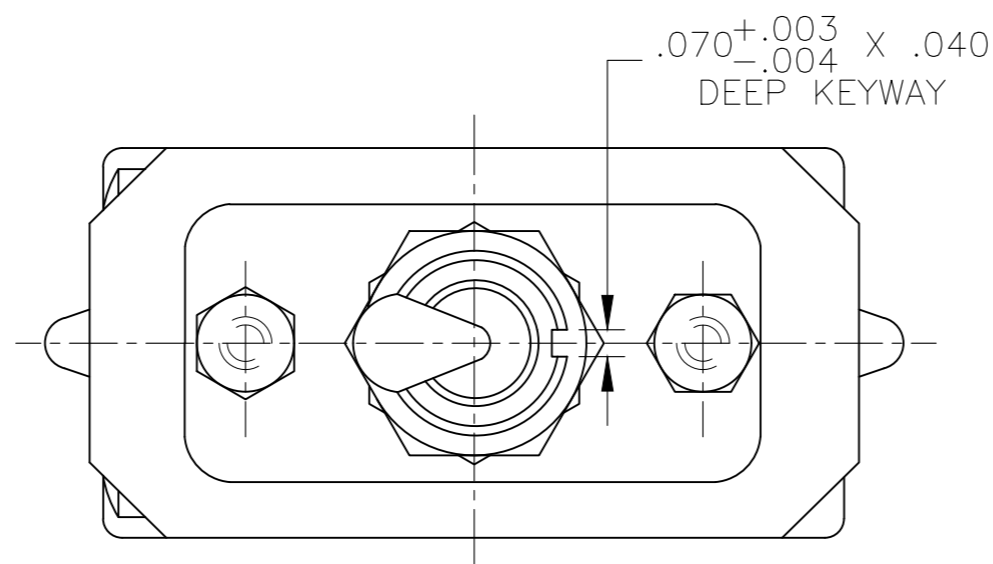


THIS DRAWING IS UNPUBLISHED. RELEASED FOR PUBLICATION
 © COPYRIGHT - 04APR12 ALL RIGHTS RESERVED.

REVISIONS				
P	LTR	DESCRIPTION	DATE	APVD
P		REVISED PER ECR-17-011687	14AUG2017	SK PO



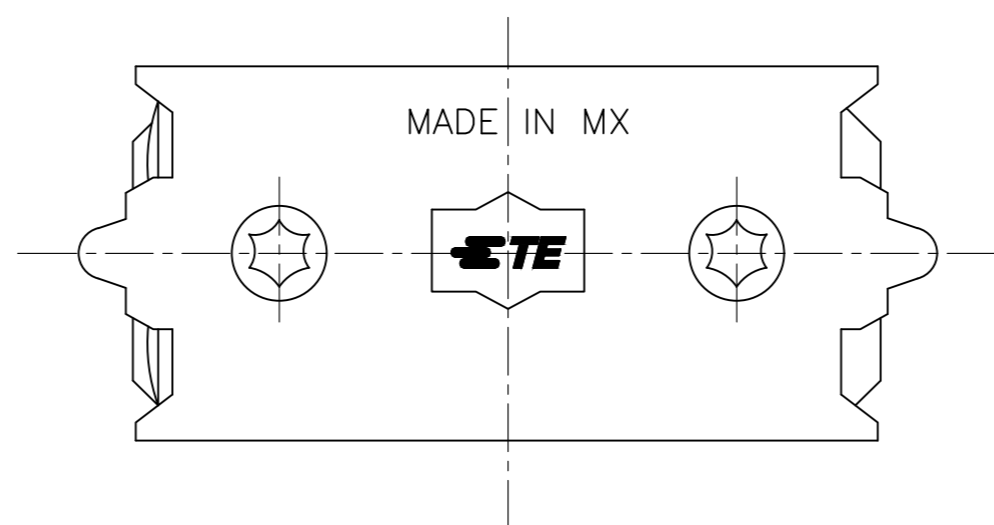
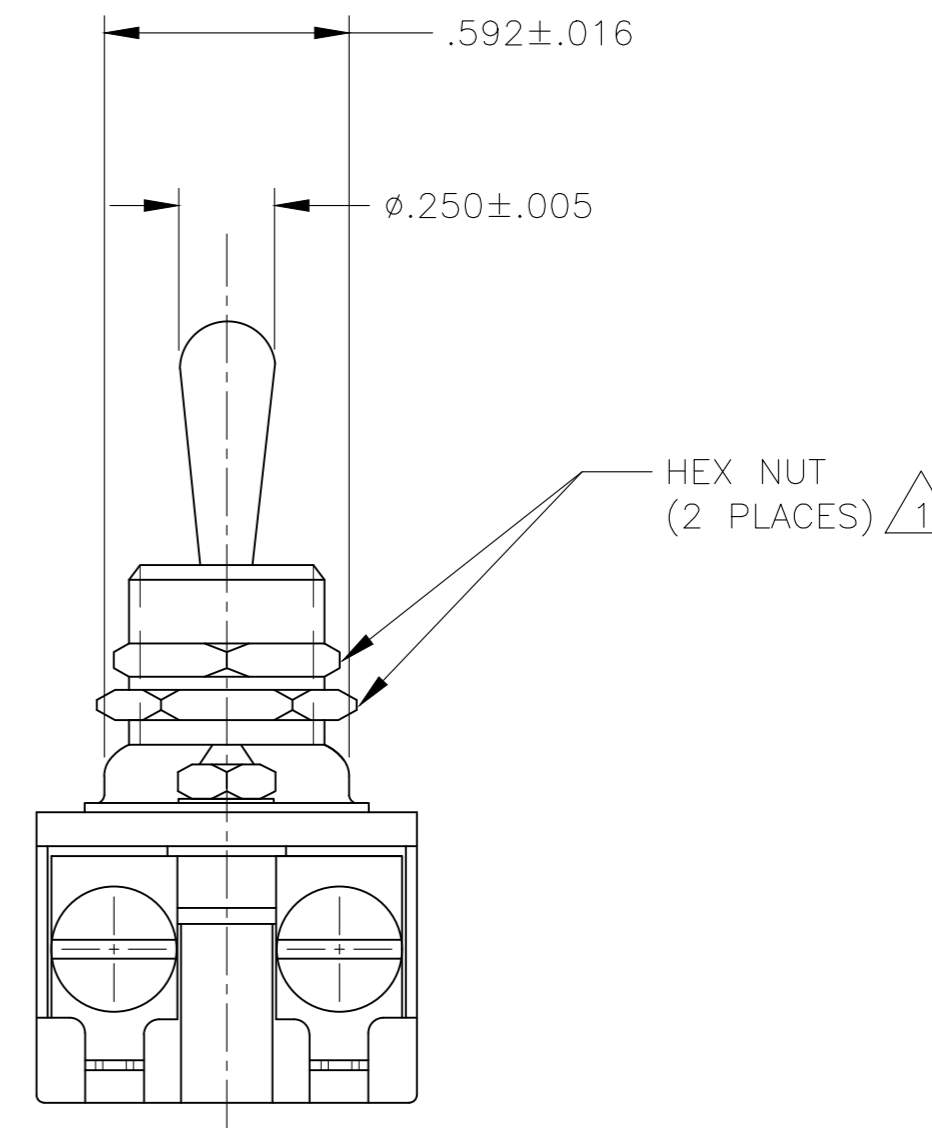
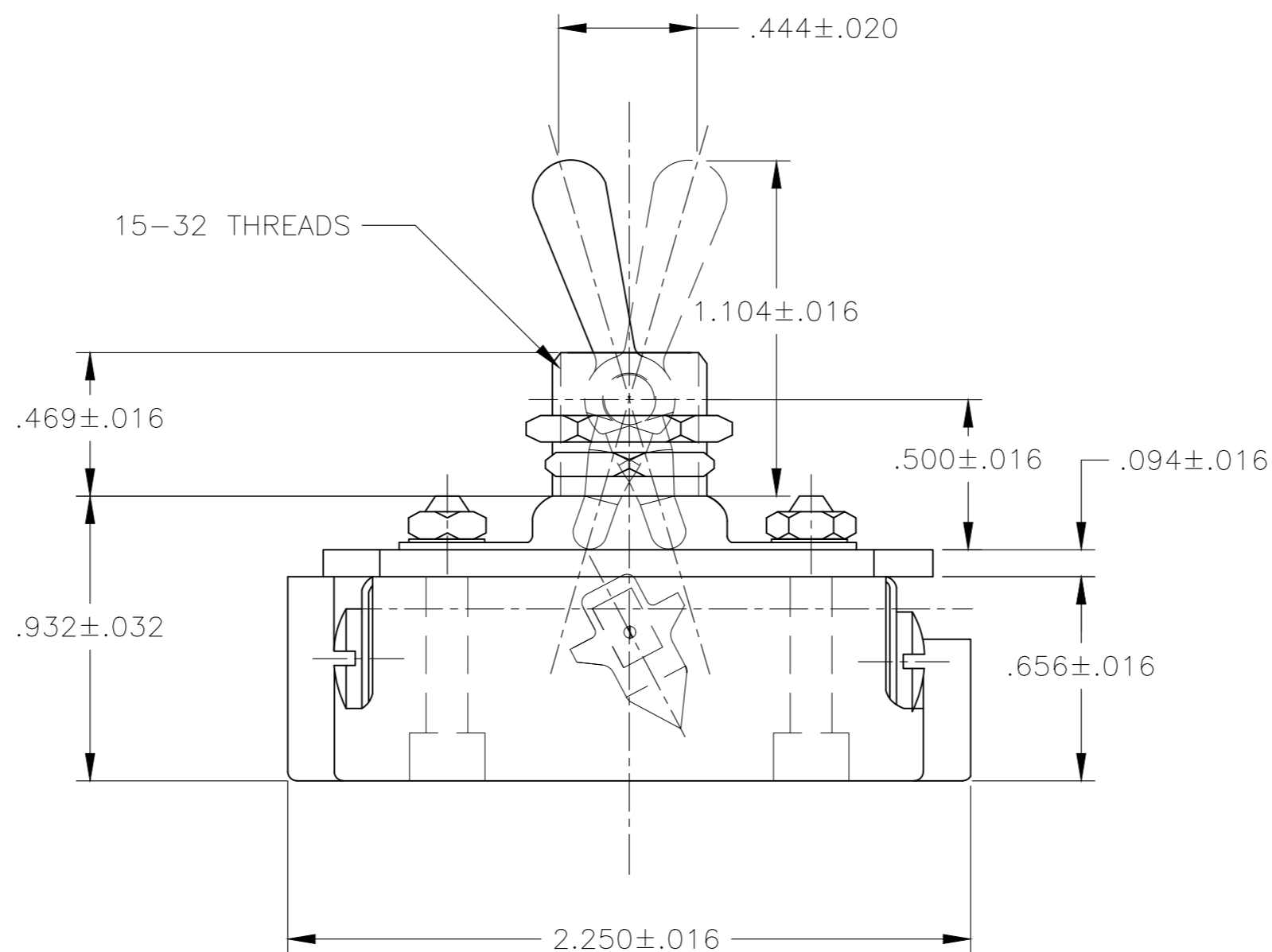
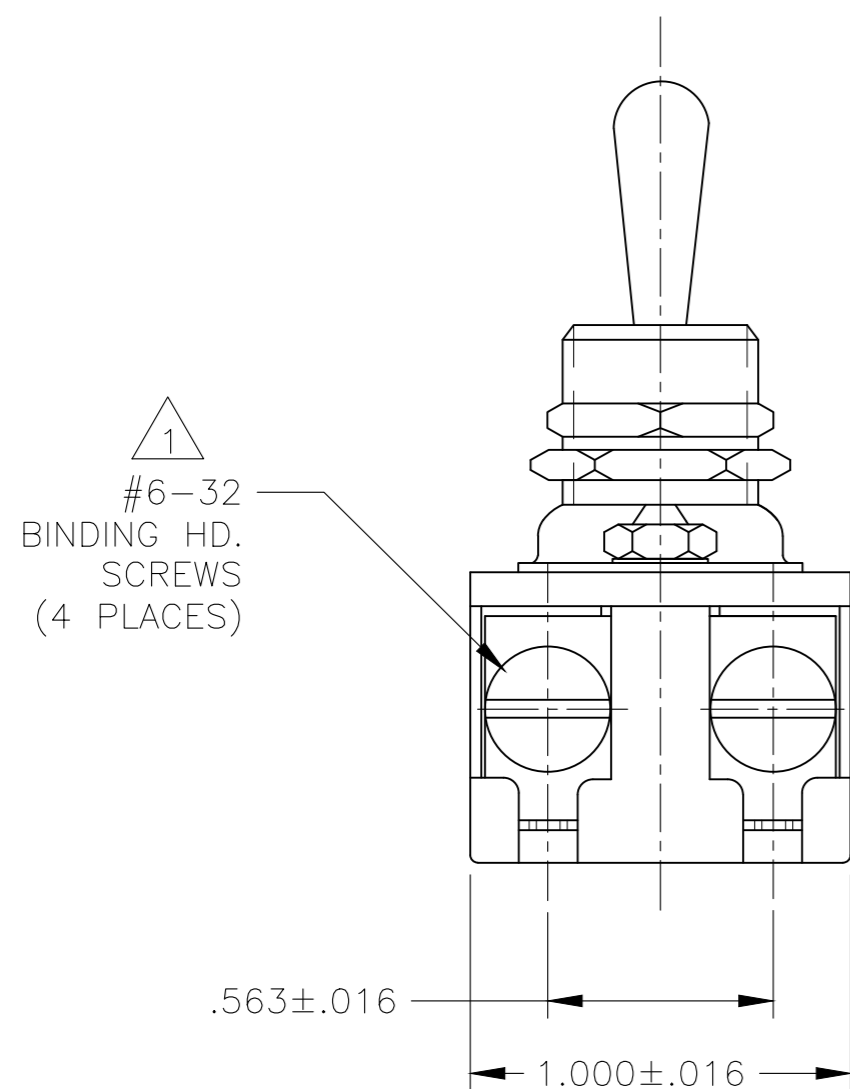
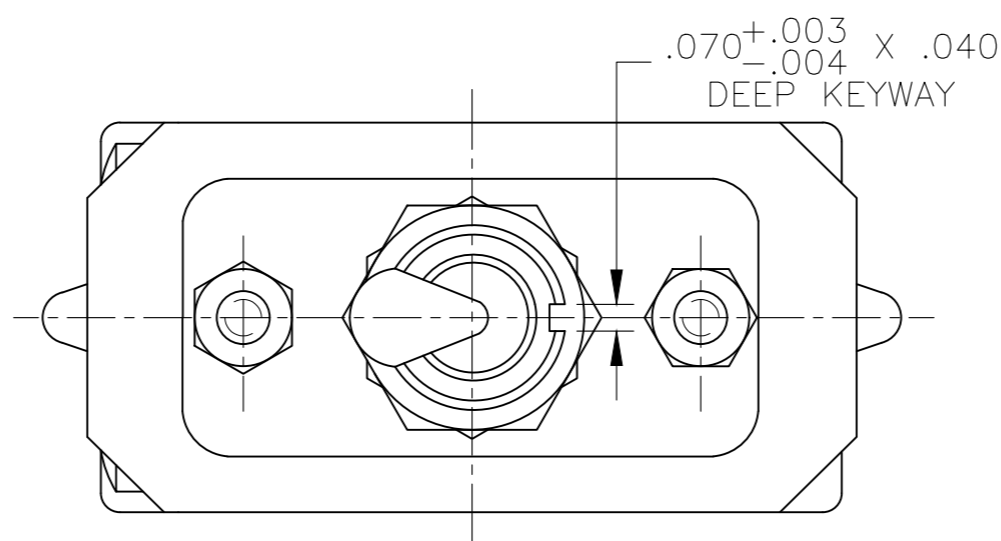
NOTES:
 1 SWITCH SUPPLIED WITH ALL HARDWARE INSTALLED.

1520117-1(8910K94-10)

THIS DRAWING IS A CONTROLLED DOCUMENT.		DWN KIRAN HOLAL 04APR12	TE Connectivity	
DIMENSIONS: INCHES		CHK OTT PETER 04APR12		
TOLERANCES UNLESS OTHERWISE SPECIFIED:		APVD OTT PETER 04APR12	NAME SINGLE POLE 10A 250V ONE HOLE MID TOOL HANDLE TOGGLE SWITCH	
0 PLC ± -		PRODUCT SPEC	SIZE	RESTRICTED TO
1 PLC ± -		APPLICATION SPEC	CAGE CODE	
2 PLC ± -			DRAWING NO	
3 PLC ± -			SCALE	
4 PLC ± -			SHEET	
ANGLES ± -		WEIGHT	REV	
FINISH		CUSTOMER DRAWING		

THIS DRAWING IS UNPUBLISHED. RELEASED FOR PUBLICATION
 © COPYRIGHT - By - ALL RIGHTS RESERVED.

REVISIONS				
P	LTR	DESCRIPTION	DATE	APVD
-	-	SEE SHEET 1	-	-



1520117-2(8910K97)

THIS DRAWING IS A CONTROLLED DOCUMENT.		DWN KIRAN HOLAL 04APR12	TE Connectivity			
DIMENSIONS: INCHES		CHK OTT PETER 04APR12				
		APVD OTT PETER 04APR12	NAME SINGLE POLE 10A 250V ONE HOLE MID TOOL HANDLE TOGGLE SWITCH			
TOLERANCES UNLESS OTHERWISE SPECIFIED:		PRODUCT SPEC	SIZE	CAGE CODE	DRAWING NO	RESTRICTED TO
0 PLC	± -	APPLICATION SPEC	A2	00779	C-1520117	-
1 PLC	± -	WEIGHT	SCALE 2:1		SHEET 2 OF 2	REV P
2 PLC	± -	CUSTOMER DRAWING				
3 PLC	± -					
4 PLC	± -					
ANGLES	± -					
MATERIAL	FINISH					