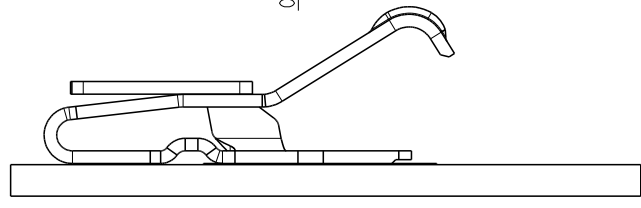
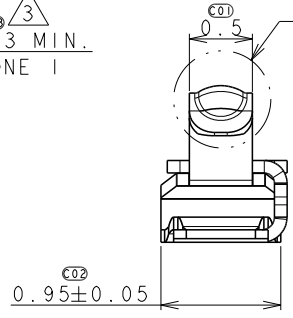
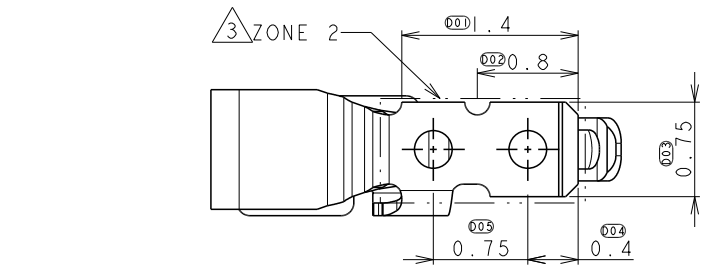
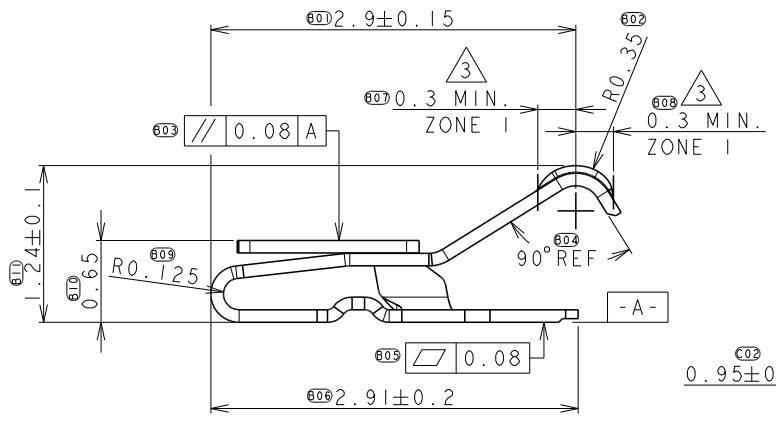
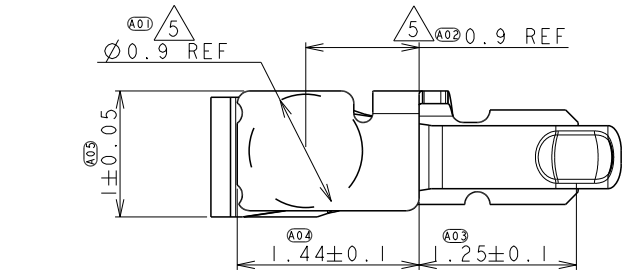
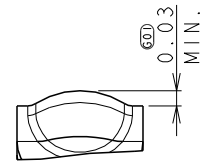
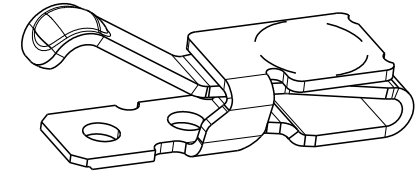


THIS DRAWING IS UNPUBLISHED. RELEASED FOR PUBLICATION 20
 (C) COPYRIGHT 20 BY - ALL RIGHTS RESERVED.

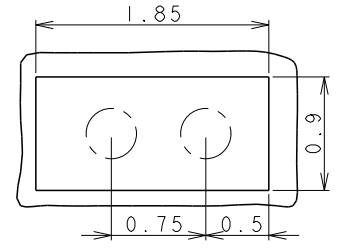
LOC	DIST	REVISIONS			
P	LTR	DESCRIPTION	DATE	DWN	APVD
ES	00	B	UPDATE	18AUG2011	T.Z S.Y
		C	UPDATED PER ECR-14-001980	12JAN2014	T.Z W.K
		CI	REVISED ECR-19-013761	26JAN2021	J.J N.S



REFERENCE VIEW FOR COMPONENT PLACEMENT




DETAIL B SCALE 50:1

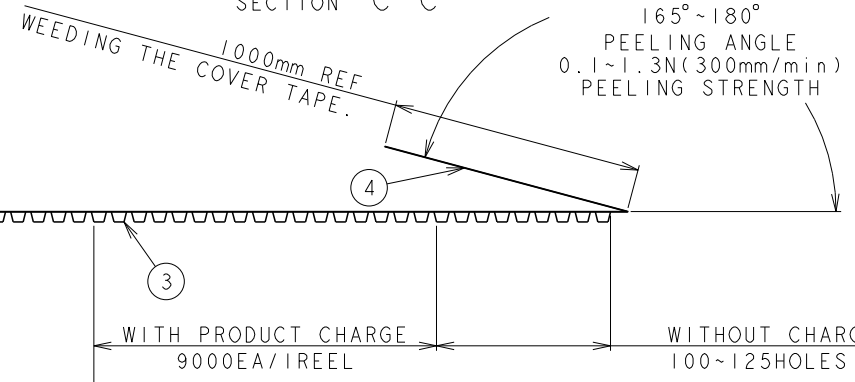
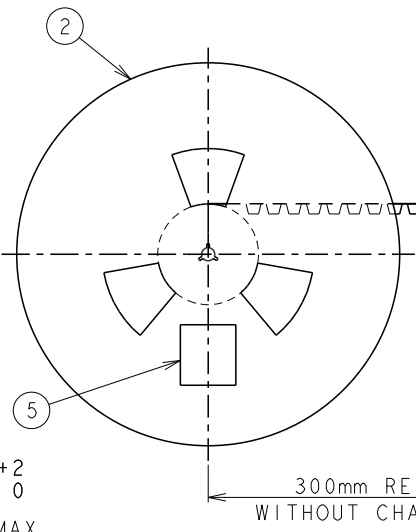
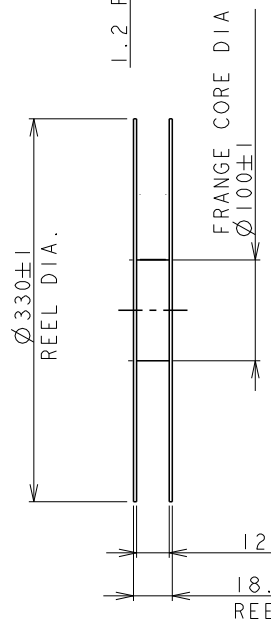
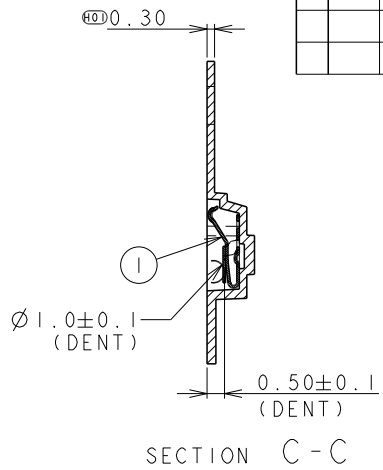
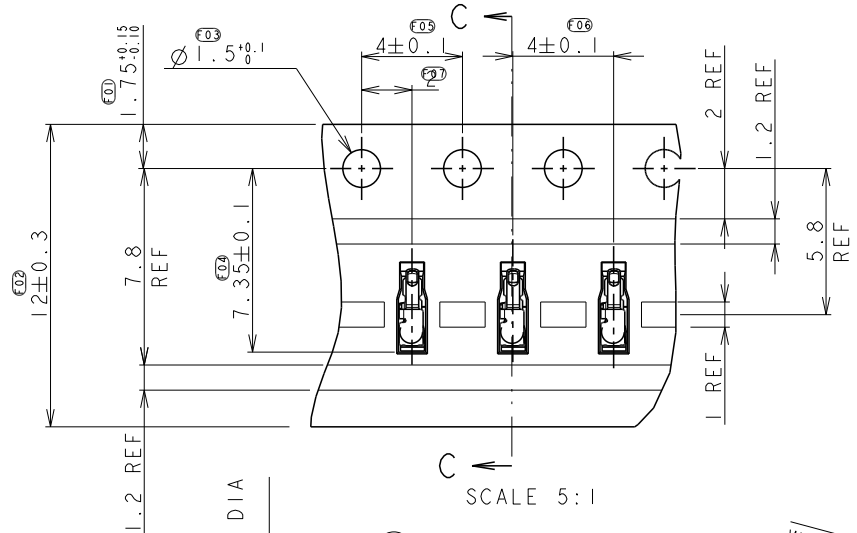


RECOMMENDED PWB LAY-OUT(±0.05)
 DASHED CYCLES ARE THE LOCATION OF THE SHIELD FINGER BOTTOM HOLES.

- NOTES:
- 1 PART NUMBER: 1551631-5 AS SHOWN.
 - MATERIAL: STAINLESS STEEL.
 - PLATING: 1.3um MIN. NICKEL UNDERLAYER ALL OVER
 ZONE 1: 0.30um MIN. GOLD
 ZONE 2: 0.05 - 0.20um GOLD FLASH
 - 4 NORMAL FORCE 0.6±0.2N AT NOMINAL HEIGHT 0.75MM.
 - INDICATED SURFACE TO BE USED AS PICK AND PLACE SURFACE.

THIS DRAWING IS A CONTROLLED DOCUMENT.		DWN Tony Zhang 30MAR2010	 TE Connectivity	
DIMENSIONS: mm		CHK Yohei Harada 31MAR2010		
TOLERANCES UNLESS OTHERWISE SPECIFIED:		APVD Steven Yao 31MAR2010	NAME SPRING FINGER HEIGHT 1.24 mm	
0 PLC ±0.20 1 PLC ±0.10 2 PLC ±0.10 3 PLC ±0.05 4 PLC ±0.001 ANGLES ±0.001 FINISH ±5		PRODUCT SPEC 108-115008	APPLICATION SPEC -	
MATERIAL 2	FINISH 3	WEIGHT 0.005g	SIZE A3	CAGE CODE 00779
CUSTOMER DRAWING			DRAWING NO C=1551631	RESTRICTED TO XXX
			SCALE 25:1	SHEET 1 OF 2 REV CI

LOC	DIST	REVISIONS			
P	LTR	DESCRIPTION	DATE	DWN	APVD
ES	00	SEE SHEET 1	-	-	-



QTY	DESCRIPTION	ITEM
1	LABEL	⑤
1	COVER TAPE	④
1	EMBOSS	③
1	PLASTIC REEL	②
9000	SPRING FINGER	①

THIS DRAWING IS A CONTROLLED DOCUMENT.

DIMENSIONS: mm	TOLERANCES UNLESS OTHERWISE SPECIFIED: 0 PLC ±0.20 1 PLC ±0.10 2 PLC ±0.10 3 PLC ±0.05 4 PLC ±0.000J ANGLES ±5	DWN	TE Connectivity NAME: SPRING FINGER HEIGHT 1.24 mm
MATERIAL	FINISH	CHK	
		APVD	
		PRODUCT SPEC	
		APPLICATION SPEC	
		WEIGHT	SIZE: A3 CAGE CODE: 00779 DRAWING NO: C=1551631 RESTRICTED TO: XXX
		CUSTOMER DRAWING	SCALE: 1:1 SHEET: 2 OF 2 REV: C1